



T&S BRASS AND BRONZE WORKS, INC.

2 Saddleback Cove / P.O. Box 1088
Travelers Rest, SC 29690

Model No.

EC-3107-VF05-HG

Item No.

Travelers Rest, SC: 800-476-4103 • Simi Valley, CA: 800-423-0150 • Fax: 864-834-3518 • www.tsbrass.com



ADA Compliant



This Space for Architect/Engineer Approval

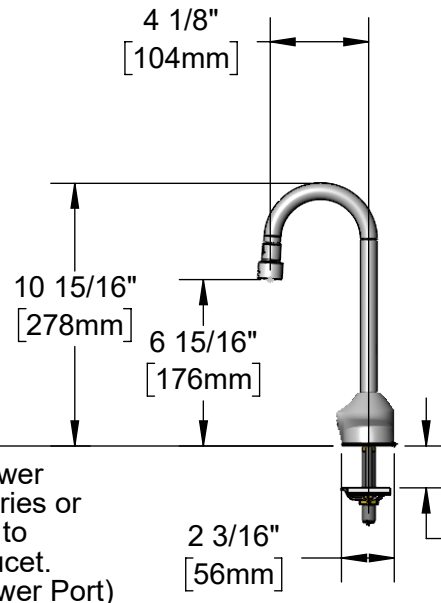
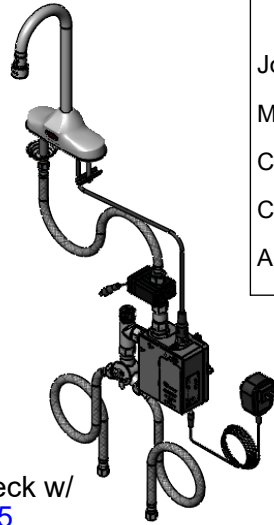
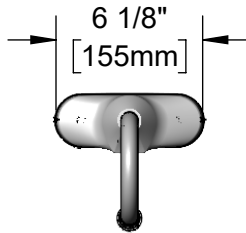
Job Name _____ Date _____

Model Specified _____ Quantity _____

Customer/Wholesaler _____

Contractor _____

Architect/Engineer _____



Rigid Gooseneck w/
B-0199-08-N05
0.5 GPM [1.9 L/min]
Vandal Resistant
Non-Aerated Spray Device

Solid Cast Brass Body w/
Polish Chrome Plated Finish

24" [610mm]
Sensor Cable

Mounting
Surface

4"
[102mm]

Hydro-Generator Power
Supply. No AA Batteries or
AC Adapter Needed to
Supply Power to Faucet.
(Connect Plug to Power Port)

1/2" NPSM x 1/4" NPSM
18" [457mm] Flexible
Stainless Steel Hose

4" x 4 3/8" x 2 3/16" Deep
[102mm x 111mm x 56mm]
Water Resistant Control Module Box (Grey)
w/ Internal Flow Control Setting Switches,
AC or DC Operated w/ (4) AA Batteries.

Removable Strainer

Optional 100-240 VAC Adapter
w/ 72" [1830mm] Power Cable

(2) 3/8" Compression x 1/2" NPSM
18" [457mm] Flexible Stainless Steel
Supply Hoses

Temperature Mixing Valve
w/ Integral Check Valves

Rough-In Requirement:
(2) 1" [25mm] Mounting Holes
on 4" [102mm] Centers

Product Specifications:

Chrome Plated Brass Electronic Faucet: 4" c/c Deck Mount, Rigid Gooseneck, VR 0.5 GPM Non-Aerated Spray Device, AC/DC Control Module w/ Internal Flow Control Setting Switches, Temperature Control Mixing Valve w/ Check Valves, Hydro-Generator & 18" Flexible Stainless Steel Supply Hoses

Product Compliance:

ASME A112.18.1 / CSA B125.1
NSF 61 - Section 9
NSF 372 (Low Lead Content)
ANSI A117.1 (ADA)
UL 1951



T&S BRASS AND BRONZE WORKS, INC.

2 Saddleback Cove / P.O. Box 1088
Travelers Rest, SC 29690

Model No.

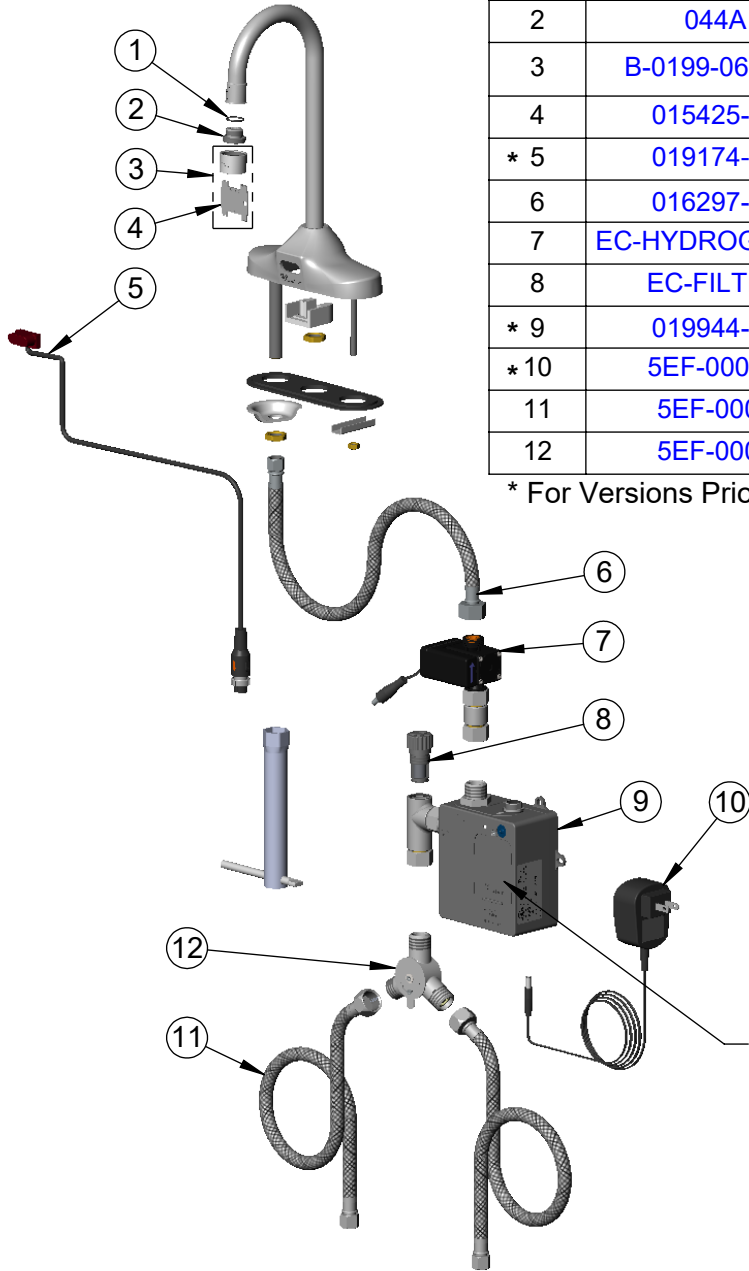
EC-3107-VF05-HG

Item No.

Travelers Rest, SC: 800-476-4103 • Simi Valley, CA: 800-423-0150 • Fax: 864-834-3518 • www.tsbrass.com

ITEM NO.	SALES NO.	DESCRIPTION
1	006575-45	O-Ring
2	044A	3/8" to Aerator Adapter
3	B-0199-06-N05	VR 0.5 GPM Non-Aerated Spray Device, 55/64-27 UN Female w/ Key
4	015425-45	Vandal Resistant Key
* 5	019174-45	Sensor Cable Assembly
6	016297-45	Inlet Hose, Faucet, 1/2" NPSM-F x 1/4" NPSM-F
7	EC-HYDROGEN-LF	Low Flow Hydro-Generator
8	EC-FILTER	Replacement Filter
* 9	019944-45	ChekPoint Control Module w/ Filter Tee
* 10	5EF-0002C	AC Adapter - US Plug
11	5EF-0005	Supply Hose, 9/16-24 Female x 1/2" NPSM
12	5EF-0006	Mechanical Mixing Valve

* For Versions Prior to 2021, Consult with T&S Customer Service



Flow Control Switches are Located Behind Battery Compartment Cover.
* Switches are Set to DEFAULT Position:
- Auto Time Out = 15 Seconds
- Shut Off Delay = 1 Second
- Auto Flush = OFF
- Metering Mode = OFF

*** Available Water Flow Control Selections:**

- Auto Time Out: 15 sec, 30 sec, 45 sec, 60 sec, 3 min, 20 min
- Shut Off Delay: 1 sec, 10 sec, 15 sec, 30 sec
- Auto Flush (30 Seconds After Every 12 Inactive Hours): ON or OFF
- Metering Mode: ON or OFF

Product Specifications:

Chrome Plated Brass Electronic Faucet: 4" c/c Deck Mount, Rigid Gooseneck, VR 0.5 GPM Non-Aerated Spray Device, AC/DC Control Module w/ Internal Flow Control Setting Switches, Temperature Control Mixing Valve w/ Check Valves, Hydro-Generator & 18" Flexible Stainless Steel Supply Hoses

Product Compliance:

ASME A112.18.1 / CSA B125.1
NSF 61 - Section 9
NSF 372 (Low Lead Content)
ANSI A117.1 (ADA)
UL 1951