



T&S BRASS AND BRONZE WORKS, INC.

2 Saddleback Cove / P.O. Box 1088
Travelers Rest, SC 29690

Model No.

EC-3107-167X

Item No.

Travelers Rest, SC: 800-476-4103 • Simi Valley, CA: 800-423-0150 • Fax: 864-834-3518 • www.tsbrass.com

This Space for Architect/Engineer Approval

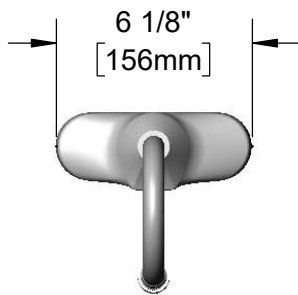
Job Name _____ Date _____

Model Specified _____ Quantity _____

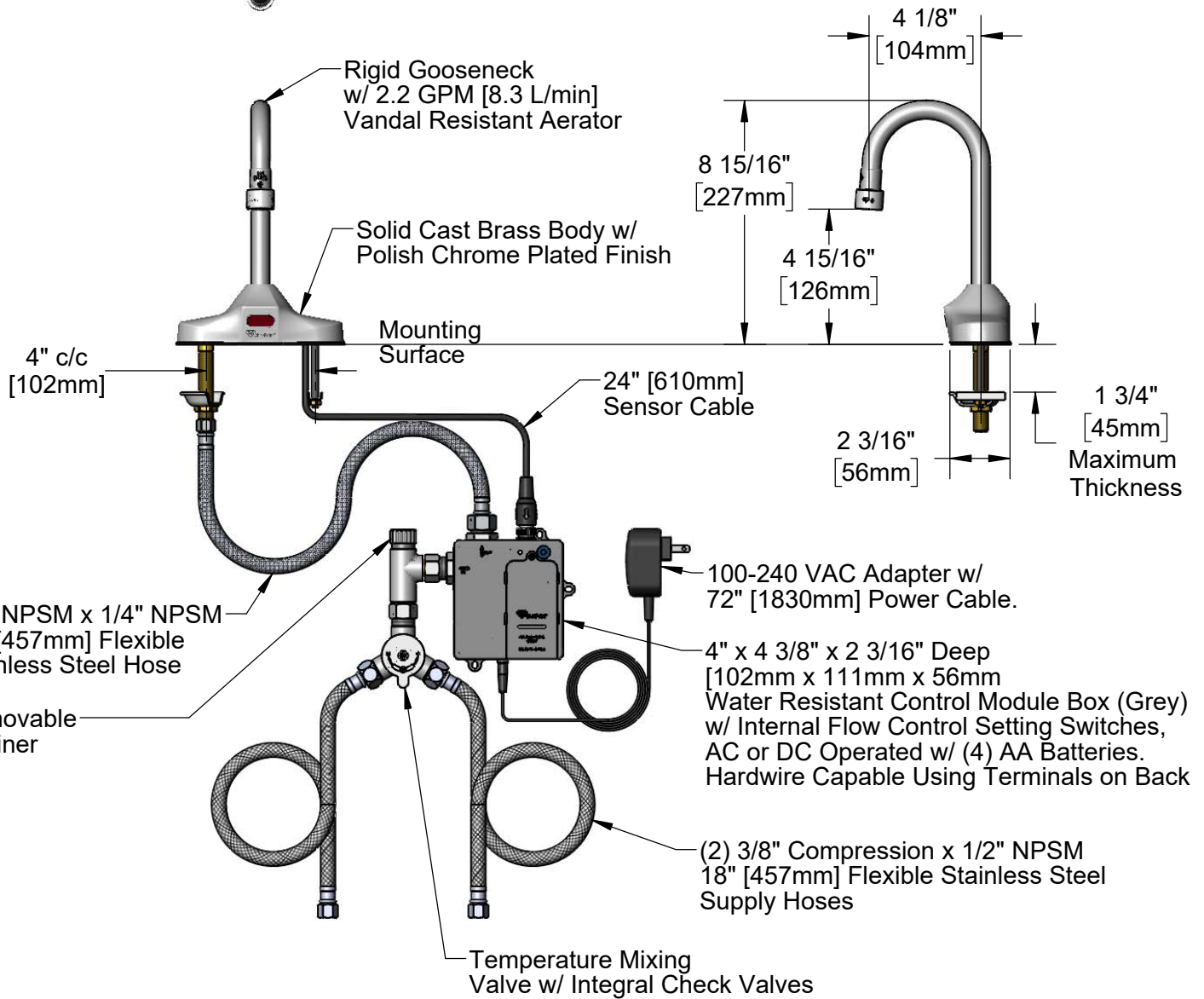
Customer/Wholesaler _____

Contractor _____

Architect/Engineer _____



ADA Compliant



Rough-In Requirement:
(2) \varnothing 1" [25mm] Mounting Holes on 4" [102mm] Centers

Product Specifications:

Chrome Plated Brass Electronic Faucet: 4" c/c Deck Mount, Rigid Gooseneck w/ 2.2 GPM VR Aerator, AC/DC Control Module w/ Internal Flow Control Setting Switches, Temperature Control Mixing Valve w/ Integral Check Valves & 18" Hot & Cold Supply Stop Flexible Connector Hoses

Product Compliance:

ASME A112.18.1 / CSA B125.1
NSF 61 - Section 9
NSF 372 (Low Lead Content)
ANSI A117.1 (ADA)
UL 1951



T&S BRASS AND BRONZE WORKS, INC.

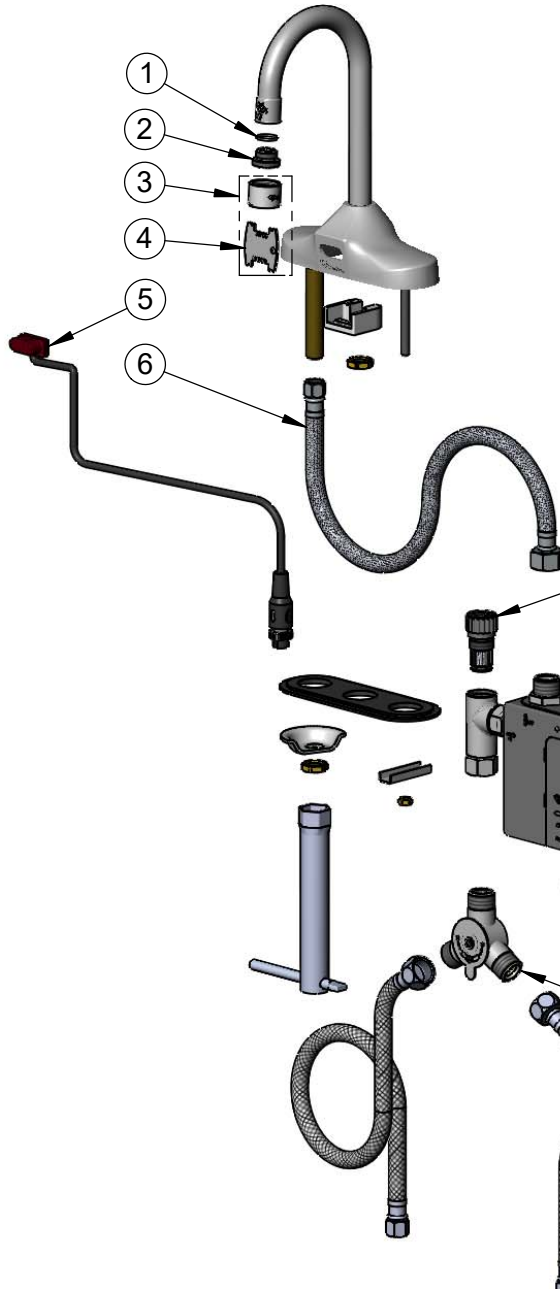
2 Saddleback Cove / P.O. Box 1088
Travelers Rest, SC 29690

Model No.

EC-3107-167X

Item No.

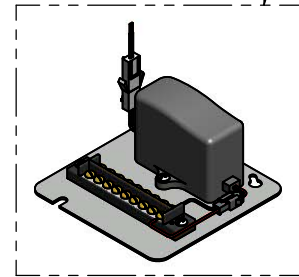
Travelers Rest, SC: 800-476-4103 • Simi Valley, CA: 800-423-0150 • Fax: 864-834-3518 • www.tsbrass.com



ITEM NO.	SALES NO.	DESCRIPTION
1	006575-45	O-Ring
2	044A	3/8" to Aerator Adapter
3	B-0199-06	Aerator, Vandal Resistant
4	015425-45	Vandal Resistant Key
* 5	019174-45	Sensor Cable Assembly
6	016297-45	Inlet Hose, Faucet, 1/2" NPSM-F x 1/4" NPSM-F
7	EC-FILTER	Replacement Filter
* 8	019944-45	ChekPoint Control Module w/ Filter Tee
* 9	5EF-0002C	AC Adapter - US Plug
10	5EF-0006	Temperature Mixing Valve
11	5EF-0005	Supply Hose, 9/16-24 Female x 1/2" NPSM

* For Versions Prior to 2021, Consult with T&S Customer Service

A Maximum of (8) ChekPoint Faucets can be Hardwire Connected and Powered by **EC-HARDWIRE** ChekPoint Hardwire AC Transformer. (Sold Separately)



Flow Control Switches are Located Behind Battery Compartment Cover.
*Switches are Set to DEFAULT Position:
- Auto Time Out = 15 Seconds
- Shut Off Delay = 1 Second
- Auto Flush = OFF
- Metering Mode = OFF

***Available Water Flow Control Selections:**

- Auto Time Out: 15 sec, 30 sec, 45 sec, 60 sec, 3 min, 20 min
- Shut Off Delay: 1 sec, 10 sec, 15 sec, 30 sec
- Auto Flush (30 Seconds After Every 12 Inactive Hours): ON or OFF
- Metering Mode: ON or OFF

Product Specifications:

Chrome Plated Brass Electronic Faucet: 4" c/c Deck Mount, Rigid Gooseneck w/ 2.2 GPM VR Aerator, AC/DC Control Module w/ Internal Flow Control Setting Switches, Temperature Control Mixing Valve w/ Integral Check Valves & 18" Hot & Cold Supply Stop Flexible Connector Hoses

Product Compliance:

ASME A112.18.1 / CSA B125.1
NSF 61 - Section 9
NSF 372 (Low Lead Content)
ANSI A117.1 (ADA)
UL 1951