



T&S BRASS AND BRONZE WORKS, INC.

2 Saddleback Cove / P.O. Box 1088
Travelers Rest, SC 29690

Model No.

EC-3106-VF05

Item No.

Travelers Rest, SC: 800-476-4103 • Simi Valley, CA: 800-423-0150 • Fax: 864-834-3518 • www.tsbrass.com



ADA Compliant
(Automatic Electronic Operation Only)

This Space for Architect/Engineer Approval

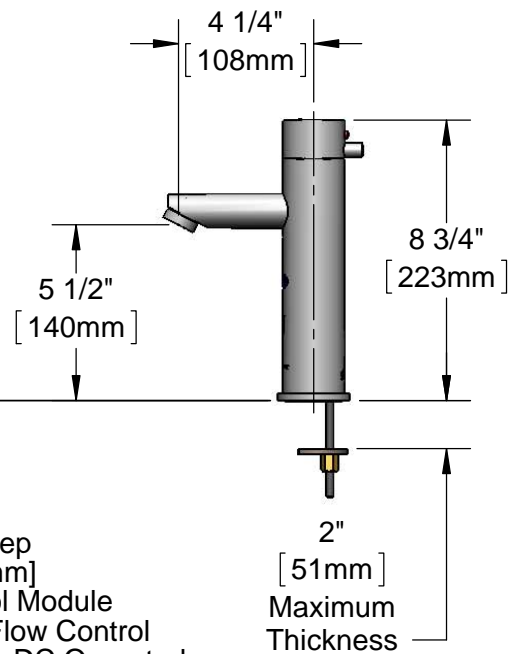
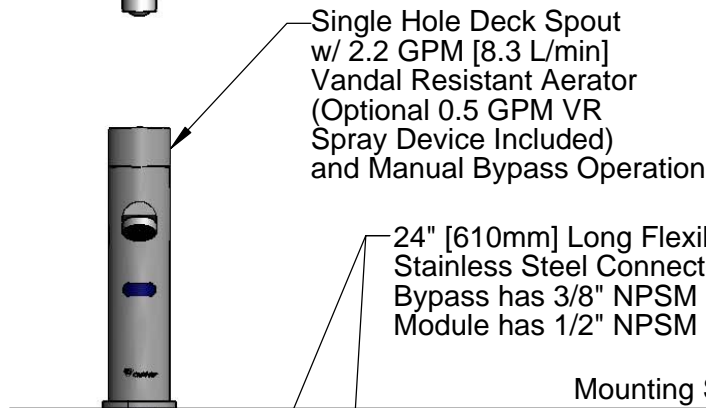
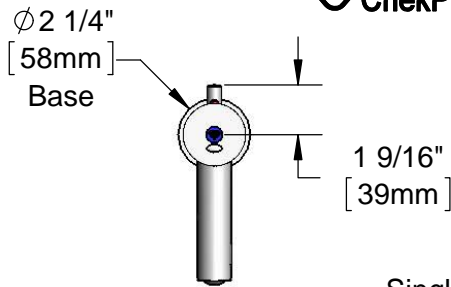
Job Name _____ Date _____

Model Specified _____ Quantity _____

Customer/Wholesaler _____

Contractor _____

Architect/Engineer _____



24" [610mm] Long Flexible Stainless Steel Connector Hoses. Bypass has 3/8" NPSM Swivel Module has 1/2" NPSM Swivel

Mounting Surface

24" [610mm] Sensor Cable

3 5/8" x 4 3/16" x 2" Deep [92mm x 106mm x 51mm] Water Resistant Control Module Box (Blue) w/ Internal Flow Control Setting Switches, AC or DC Operated w/ (4) AA Batteries. Hardwire Capable Using Terminals on Back

Removable Strainer

Temperature Mixing Valve w/ Integral Check Valves

100-240 VAC Adapter w/ 144" [3658mm] Long Double Power Cord. (Remove Rubber Plugs on Module and Cable to Connect)

(2) 3/8" Compression x 1/2" NPSM 18" [457mm] Flexible Stainless Steel Supply Hose

Rough-In Requirement:
Ø 1 1/4" [32mm] Mounting Hole

Product Specifications:

Chrome Plated Brass Electronic Faucet:
Single Hole Deck Spout w/ VR 2.2 GPM Aerator, Optional 0.5 GPM VR Spray Device, Manual Bypass, AC/DC Control Module w/ Internal Flow Control Setting Switches, Temperature Control Mixing Valve, 18" Long Supply Stop Flexible Connector Hoses

Product Compliance:

ASME A112.18.1 / CSA B125.1
NSF 61 - Section 9
NSF 372 (Low Lead Content)
ANSI A117.1 (ADA)
UL 1951



T&S BRASS AND BRONZE WORKS, INC.

2 Saddleback Cove / P.O. Box 1088
Travelers Rest, SC 29690

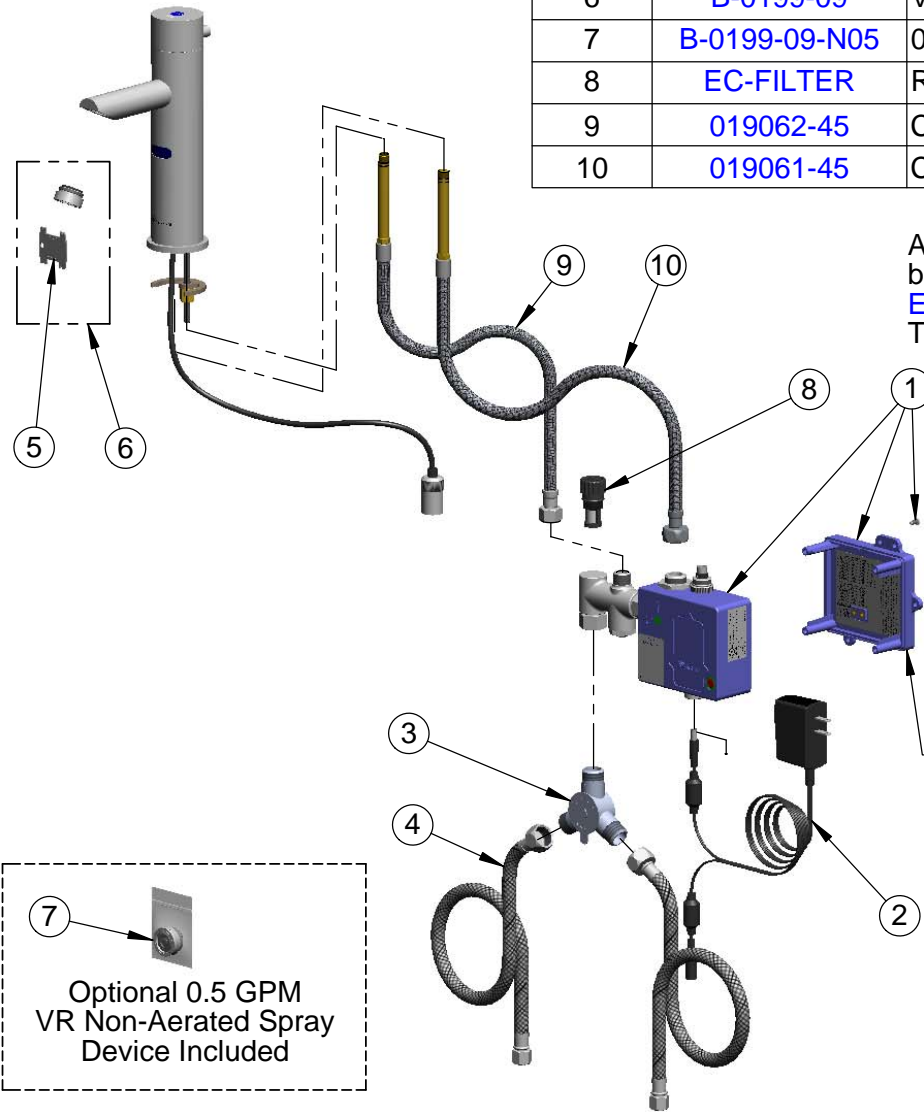
Model No.

EC-3106-VF05

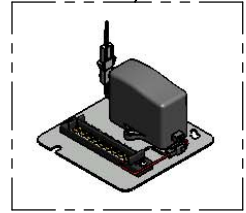
Item No.

Travelers Rest, SC: 800-476-4103 • Simi Valley, CA: 800-423-0150 • Fax: 864-834-3518 • www.tsbrass.com

ITEM NO.	SALES NO.	DESCRIPTION
1	017493-45	ChekPoint Module (Blue) w/ Bypass Tee
2	5EF-0002	Double Gang, Plug-in AC Transformer
3	5EF-0006	Mechanical Mixing Valve
4	5EF-0005	Supply Hose, 9/16-24 Female x 1/2" NPSM
5	015425-45	Vandal Resistant Key
6	B-0199-09	VR 2.2 GPM Aerator w/ Key
7	B-0199-09-N05	0.5 GPM VR Spray Device, 15/16-27 Male
8	EC-FILTER	Replacement Filter
9	019062-45	Connector Hose, M10 Male x 3/8" NPSM
10	019061-45	Connector Hose, M10 Male x 1/2" NPSM



A Maximum of (8) ChekPoint Faucets can be Hardwire Connected and Powered by **EC-HARDWIRE** ChekPoint Hardwire AC Transformer. (Sold Separately)



Label for Flow Control Switch Settings is Located on Inside of Back Cover.

Flow Control Switches are Located Inside Module Housing in Black Box Next to Battery Compartment.
*Switches are Set to DEFAULT Position:
- Auto Time Out = 15 Seconds
- Shut Off Delay = 1 Second
- Auto Flush = OFF

Remove (4) Screws and Back Cover to Access Switches.

- *Available Water Flow Control Selections:
- Auto Time Out: 15 sec, 30 sec, 45 sec, 60 sec, 3 min, 20 min
 - Shut Off Delay: 1 sec, 10 sec, 15 sec, 30 sec
 - Auto Flush (30 Seconds After Every 12 Inactive Hours): ON or OFF

Product Specifications:
Chrome Plated Brass Electronic Faucet:
Single Hole Deck Spout w/ VR 2.2 GPM Aerator, Optional 0.5 GPM VR Spray Device, Manual Bypass, AC/DC Control Module w/ Internal Flow Control Setting Switches, Temperature Control Mixing Valve, 18" Long Supply Stop Flexible Connector Hoses

Product Compliance:
ASME A112.18.1 / CSA B125.1
NSF 61 - Section 9
NSF 372 (Low Lead Content)
ANSI A117.1 (ADA)
UL 1951