



**T&S BRASS AND BRONZE WORKS, INC.**  
 2 Saddleback Cove / P.O. Box 1088  
 Travelers Rest, SC 29690

Model No.

**EC-3105-TMV**

Item No.

Travelers Rest, SC: 800-476-4103 • Simi Valley, CA: 800-423-0150 • Fax: 864-834-3518 • www.tsbrass.com



**ADA Compliant**

This Space for Architect/Engineer Approval

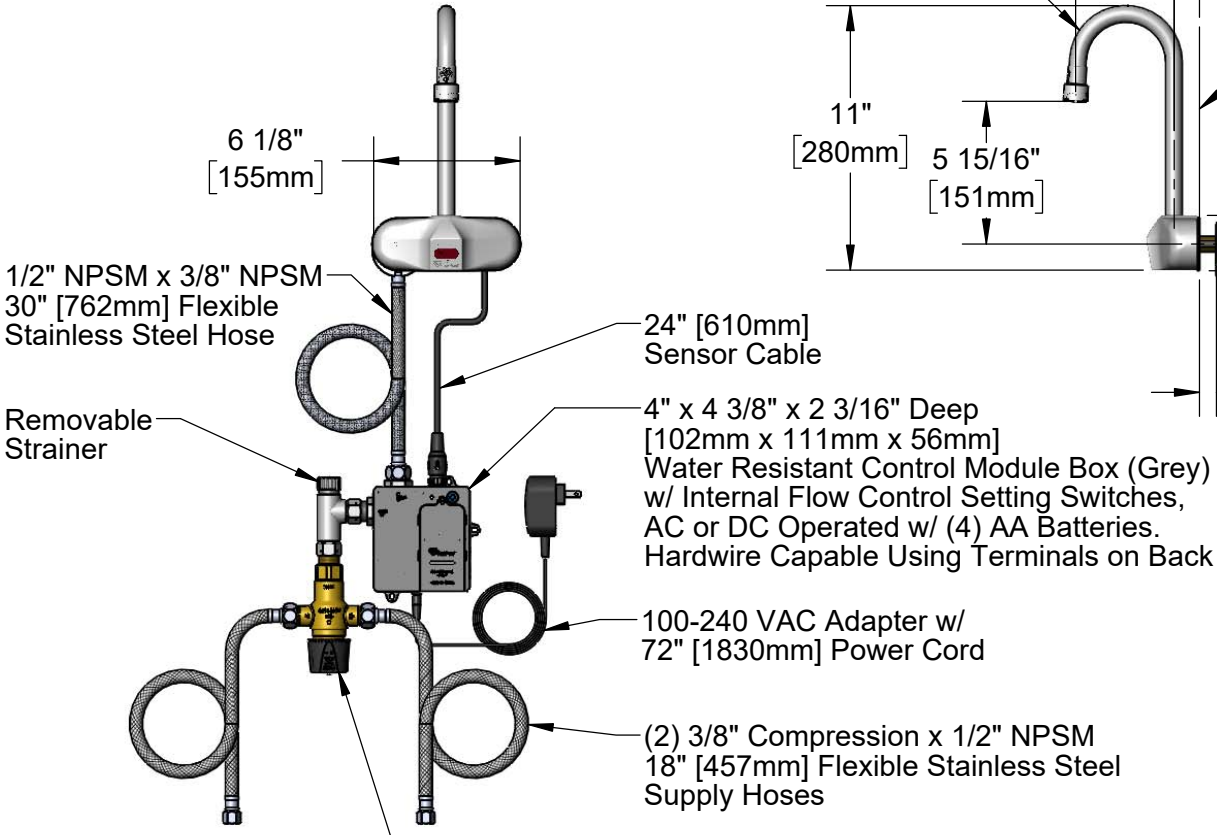
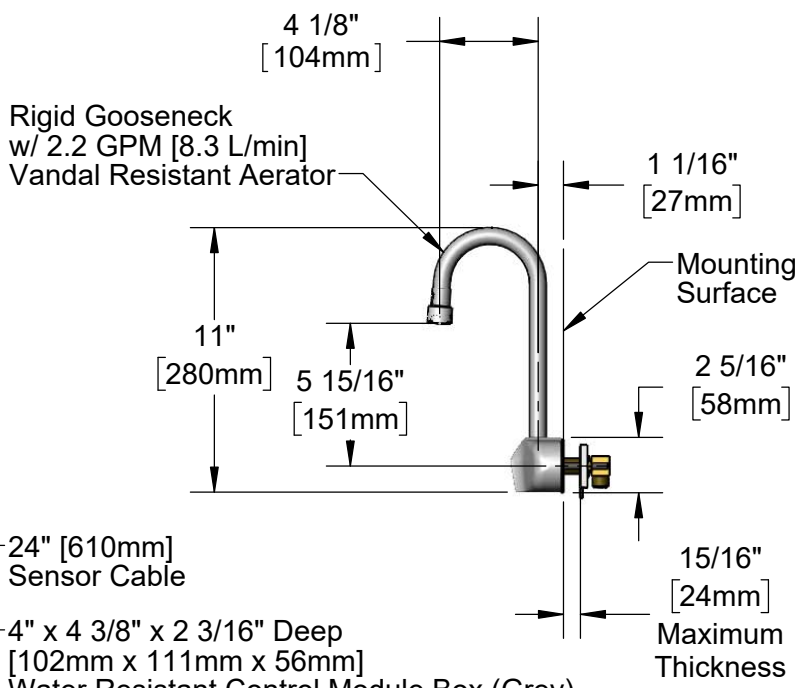
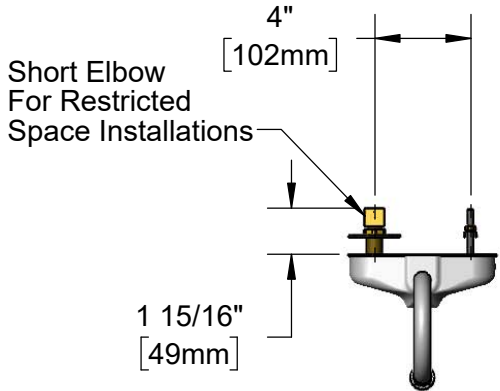
Job Name \_\_\_\_\_ Date \_\_\_\_\_

Model Specified \_\_\_\_\_ Quantity \_\_\_\_\_

Customer/Wholesaler \_\_\_\_\_

Contractor \_\_\_\_\_

Architect/Engineer \_\_\_\_\_



Rigid Gooseneck  
 w/ 2.2 GPM [8.3 L/min]  
 Vandal Resistant Aerator

24" [610mm]  
 Sensor Cable

4" x 4 3/8" x 2 3/16" Deep  
 [102mm x 111mm x 56mm]  
 Water Resistant Control Module Box (Grey)  
 w/ Internal Flow Control Setting Switches,  
 AC or DC Operated w/ (4) AA Batteries.  
 Hardwire Capable Using Terminals on Back

100-240 VAC Adapter w/  
 72" [1830mm] Power Cord

(2) 3/8" Compression x 1/2" NPSM  
 18" [457mm] Flexible Stainless Steel  
 Supply Hoses

**EC-TMV**  
 ASSE 1070 Temperature Mixing Valve w/  
 Integral Check Valves

**Rough-In Requirement:**  
 (2)  $\phi$  1" [25mm] Mounting Holes on 4" [102mm] Centers

**Product Specifications:**

Chrome Plated Brass Electronic Faucet: 4" c/c Wall Mount Rigid Gooseneck w/ 2.2 GPM VR Aerator, AC/DC Control Module w/ Internal Flow Control Setting Switches, Thermostatic Temperature Control Mixing Valve w/ Check Valve, 18" Flexible Stainless Steel Supply Hoses

**Product Compliance:**

ASME A112.18.1 / CSA B125.1  
 NSF 61 - Section 9  
 NSF 372 (Low Lead Content)  
 ANSI A117.1 (ADA)  
 UL 1951  
 ASSE 1070 (TMV)



**T&S BRASS AND BRONZE WORKS, INC.**  
 2 Saddleback Cove / P.O. Box 1088  
 Travelers Rest, SC 29690

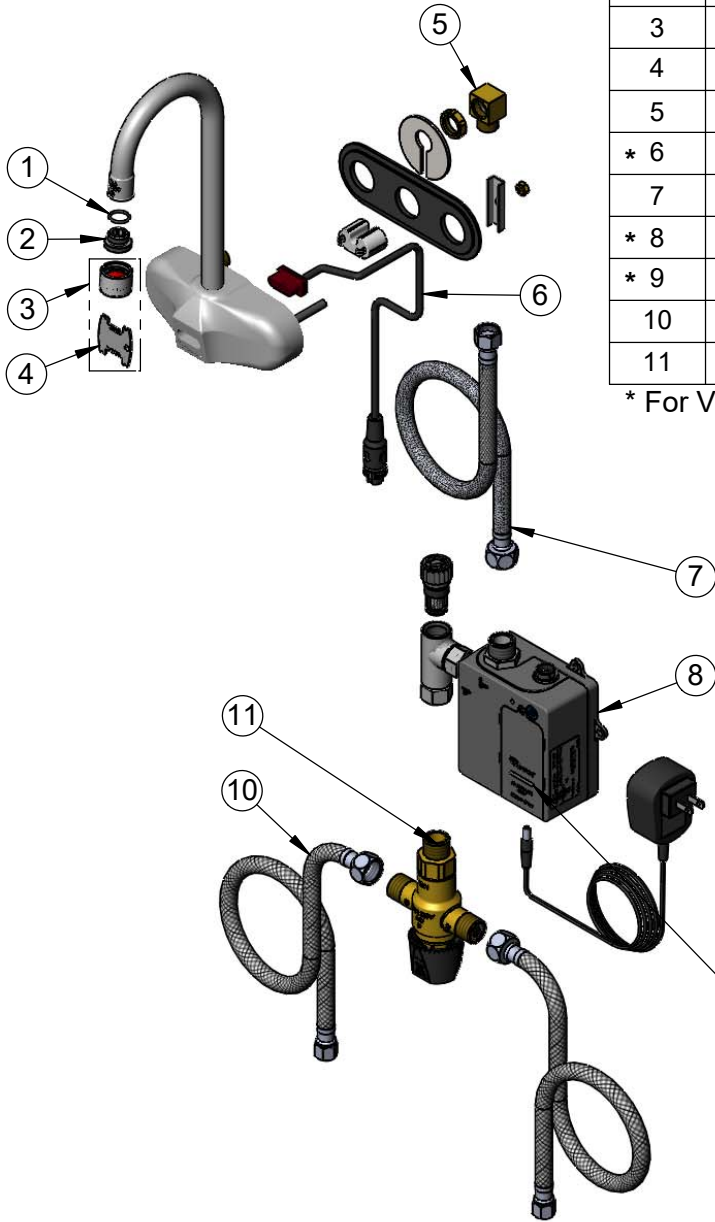
Model No.  
**EC-3105-TMV**

Item No.

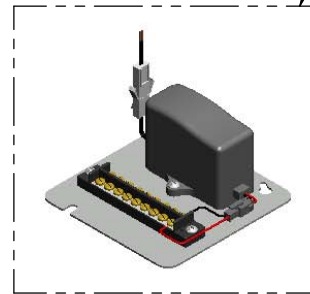
Travelers Rest, SC: 800-476-4103 • Simi Valley, CA: 800-423-0150 • Fax: 864-834-3518 • www.tsbrass.com

ITEM NO.	SALES NO.	DESCRIPTION
1	006575-45	-015 O-Ring
2	044A	3/8" to Aerator Adapter
3	B-0199-06	Aerator, Vandal Resistant
4	015425-45	Vandal Resistant Key
5	015345-20	Low Profile Elbow, 3/8 NPSM
* 6	019174-45	Sensor Cable Assembly
7	016325-45	Flex Connector, 3/8 NPSM x 1/2 NPSM
* 8	019944-45	ChekPoint Control Module w/ Filter Tee
* 9	5EF-0002C	AC Adapter - US Plug
10	5EF-0005	Supply Hose, 9/16-24 Female x 1/2" NPSM
11	EC-TMV	ASSE 1070 Thermostatic Mixing Valve

\* For Versions Prior to 2021, Consult with T&S Customer Service



A Maximum of (8) ChekPoint Faucets can be Hardwire Connected and Powered by **EC-HARDWIRE** ChekPoint Hardwire AC Transformer. (Sold Separately)



Flow Control DIP Switches are Located Behind Battery Compartment Cover.  
 \* Switches are Set to DEFAULT Position:  
 - Auto Time Out = 15 Seconds  
 - Shut Off Delay = 1 Second  
 - Auto Flush = OFF  
 - Metering Mode = OFF

- \*Available Water Flow Control Selections:
- Auto Time Out: 15 sec, 30 sec, 45 sec, 60 sec, 3 min, 20 min
  - Shut Off Delay: 1 sec, 10 sec, 15 sec, 30 sec
  - Auto Flush (30 Seconds After Every 12 Inactive Hours): ON or OFF
  - Metering Mode: ON or OFF

Product Specifications:  
 Chrome Plated Brass Electronic Faucet: 4" c/c Wall Mount Rigid Gooseneck w/ 2.2 GPM VR Aerator, AC/DC Control Module w/ Internal Flow Control Setting Switches, Thermostatic Temperature Control Mixing Valve w/ Check Valve, 18" Flexible Stainless Steel Supply Hoses

Product Compliance:  
 ASME A112.18.1 / CSA B125.1  
 NSF 61 - Section 9  
 NSF 372 (Low Lead Content)  
 ANSI A117.1 (ADA)  
 UL 1951  
 ASSE 1070 (TMV)