



# T&S BRASS AND BRONZE WORKS, INC.

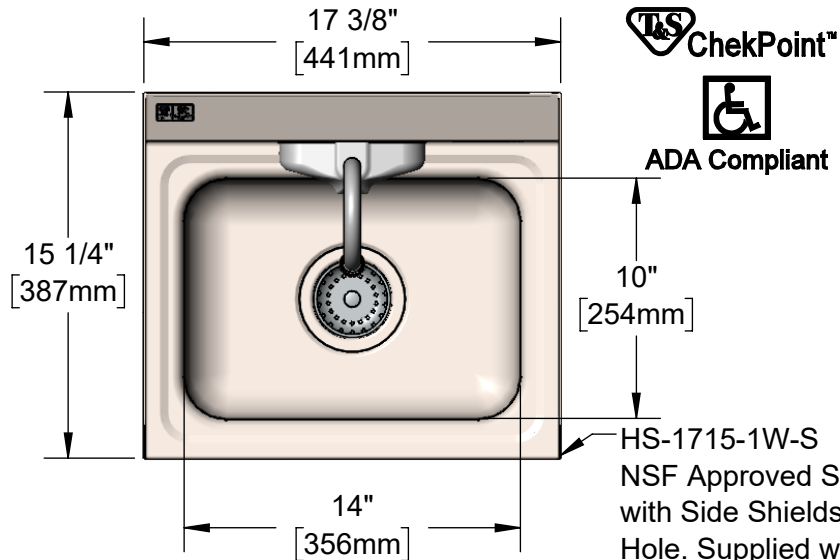
2 Saddleback Cove / P.O. Box 1088  
Travelers Rest, SC 29690

Model No.

**EC-3105-4W-S**

Item No.

Travelers Rest, SC: 800-476-4103 • Simi Valley, CA: 800-423-0150 • Fax: 864-834-3518 • www.tsbrass.com



This Space for Architect/Engineer Approval

Job Name \_\_\_\_\_ Date \_\_\_\_\_

Model Specified \_\_\_\_\_ Quantity \_\_\_\_\_

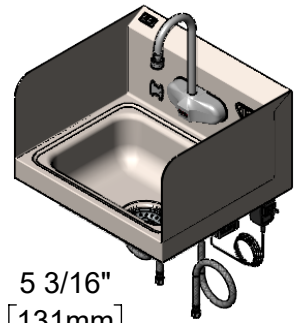
Customer/Wholesaler \_\_\_\_\_

Contractor \_\_\_\_\_

Architect/Engineer \_\_\_\_\_

HS-1715-1W-S

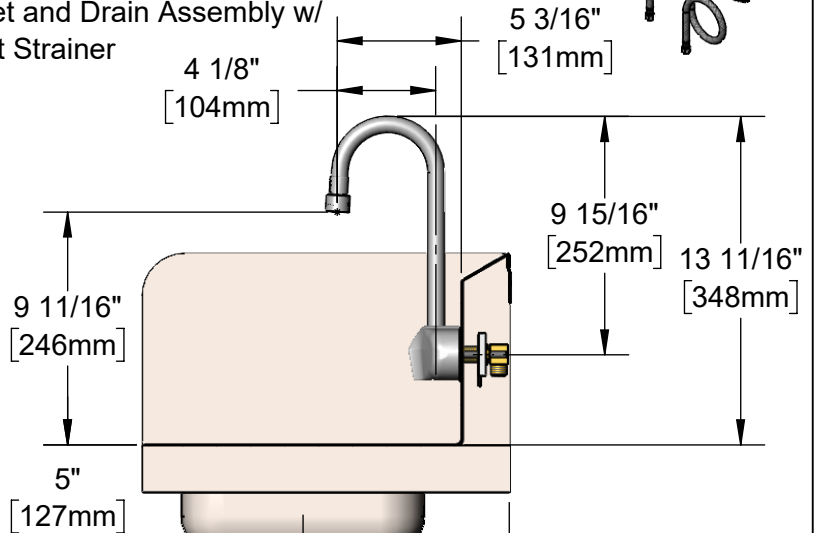
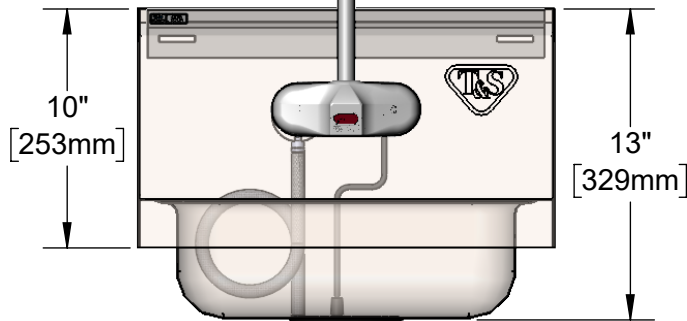
NSF Approved Stainless Steel Sink with Side Shields & 3 1/2" Drain Hole. Supplied with Mounting Bracket and Drain Assembly w/ Basket Strainer



**EC-3105**

ChekPoint Electronic Sensor Faucet

2.2 GPM VR Aerator



Removable Strainer

100-240 VAC Adapter w/ 72" [1830mm] Power Cord

(2) 3/8" Compression x 1/2" NPSM 18" [457mm] Flexible Stainless Steel Supply Hoses

Temperature Mixing Valve w/ Integral Check Valves

Drain Assembly Adapts to  $\phi$  1 1/2" Tailpiece

**Product Specifications:**

Hand Wash Sink / Elec. Sensor Faucet, Stainless Steel Sink / Backsplash, Side Splash Shields, 3 1/2" Drain Assembly, Electronic Sensor Faucet, 4" c/c Wall Mount Rigid Gooseneck w/ 2.2 GPM VR Aerator, AC/DC Control Module w/ Internal Flow Control Setting Switches, Temperature Control Mixing Valve w/ Check Valves, 18" Flexible Stainless Steel Supply Hoses

**Product Compliance:**

ASME A112.18.1 / CSA B125.1  
ASME A112.19.3 / CSA B45.4 (Sink & Drain)  
NSF 61 - Section 9  
NSF 372 (Low Lead Content)  
UL 1951  
ANSI A117.1 (ADA)  
NSF / ANSI 2 (Sink & Drain)  
ASME A112.18.2 / CSA B125.2 (Drain)



# T&S BRASS AND BRONZE WORKS, INC.

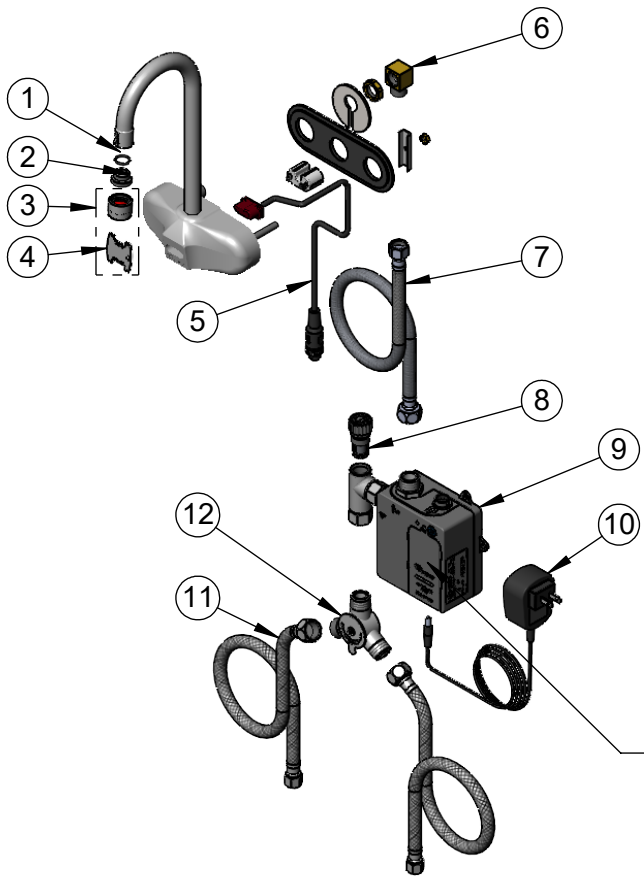
2 Saddleback Cove / P.O. Box 1088  
Travelers Rest, SC 29690

Model No.

**EC-3105-4W-S**

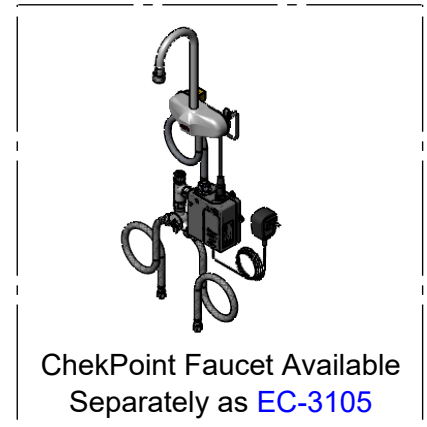
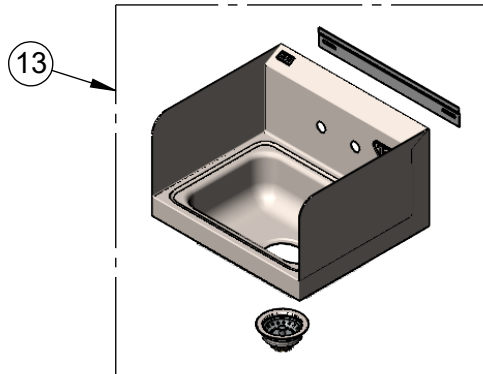
Item No.

Travelers Rest, SC: 800-476-4103 • Simi Valley, CA: 800-423-0150 • Fax: 864-834-3518 • www.tsbrass.com



| ITEM NO. | SALES NO.    | DESCRIPTION  |
|----------|--------------|--|
| 1        | 006575-45    | O-Ring   |
| 2        | 044A         | 3/8" to Aerator Adapter                                |
| 3        | B-0199-06    | VR 2.2 GPM Aerator, 55/64-27 Female w/ Key             |
| 4        | 015425-45    | Vandal Resistant Key                                   |
| 5        | 019174-45    | Sensor Cable Assembly                                  |
| 6        | 015345-20    | Low Profile Elbow, 3/8 NPSM                            |
| 7        | 016325-45    | Flex Connector, 3/8 NPSM x 1/2 NPSM                    |
| 8        | EC-FILTER    | Replacement Filter                                     |
| 9        | 019944-45    | ChekPoint Control Module w/ Filter Tee                 |
| 10       | 5EF-0002C    | AC Adapter - US Plug                                   |
| 11       | 5EF-0005     | Supply Hose, 9/16-24 Female x 1/2" NPSM                |
| 12       | 5EF-0006     | Mechanical Mixing Valve                                |
| 13       | HS-1715-4W-S | 17" x 15" Sink w/ Side Splash Shields & Drain Assembly |

Flow Control Switches are Located Behind Battery Compartment Cover.  
\* Switches are Set to DEFAULT Position:  
- Auto Time Out = 15 Seconds  
- Shut Off Delay = 1 Second  
- Auto Flush = OFF  
- Metering Mode = OFF



**\* Available Water Flow Control Selections:**

- Auto Time Out: 15 sec, 30 sec, 45 sec, 60 sec, 3 min, 20 min
- Shut Off Delay: 1 sec, 10 sec, 15 sec, 30 sec
- Auto Flush (30 Seconds After Every 12 Inactive Hours): ON or OFF
- Metering Mode: ON or OFF

**Product Specifications:**

Hand Wash Sink / Elec. Sensor Faucet, Stainless Steel Sink / Backsplash, Side Splash Shields, 3 1/2" Drain Assembly, Electronic Sensor Faucet, 4" c/c Wall Mount Rigid Gooseneck w/ 2.2 GPM VR Aerator, AC/DC Control Module w/ Internal Flow Control Setting Switches, Temperature Control Mixing Valve w/ Check Valves, 18" Flexible Stainless Steel Supply Hoses

**Product Compliance:**

ASME A112.18.1 / CSA B125.1  
ASME A112.19.3 / CSA B45.4 (Sink & Drain)  
NSF 61 - Section 9  
NSF 372 (Low Lead Content)  
UL 1951  
ANSI A117.1 (ADA)  
NSF / ANSI 2 (Sink & Drain)  
ASME A112.18.2 / CSA B125.2 (Drain)