



# T&S BRASS AND BRONZE WORKS, INC.

2 Saddleback Cove / P.O. Box 1088  
Travelers Rest, SC 29690

Model No.

**EC-3103-BA**

Item No.

Travelers Rest, SC: 800-476-4103 • Simi Valley, CA: 800-423-0150 • Fax: 864-834-3518 • www.tsbrass.com



**ADA Compliant**

This Space for Architect/Engineer Approval

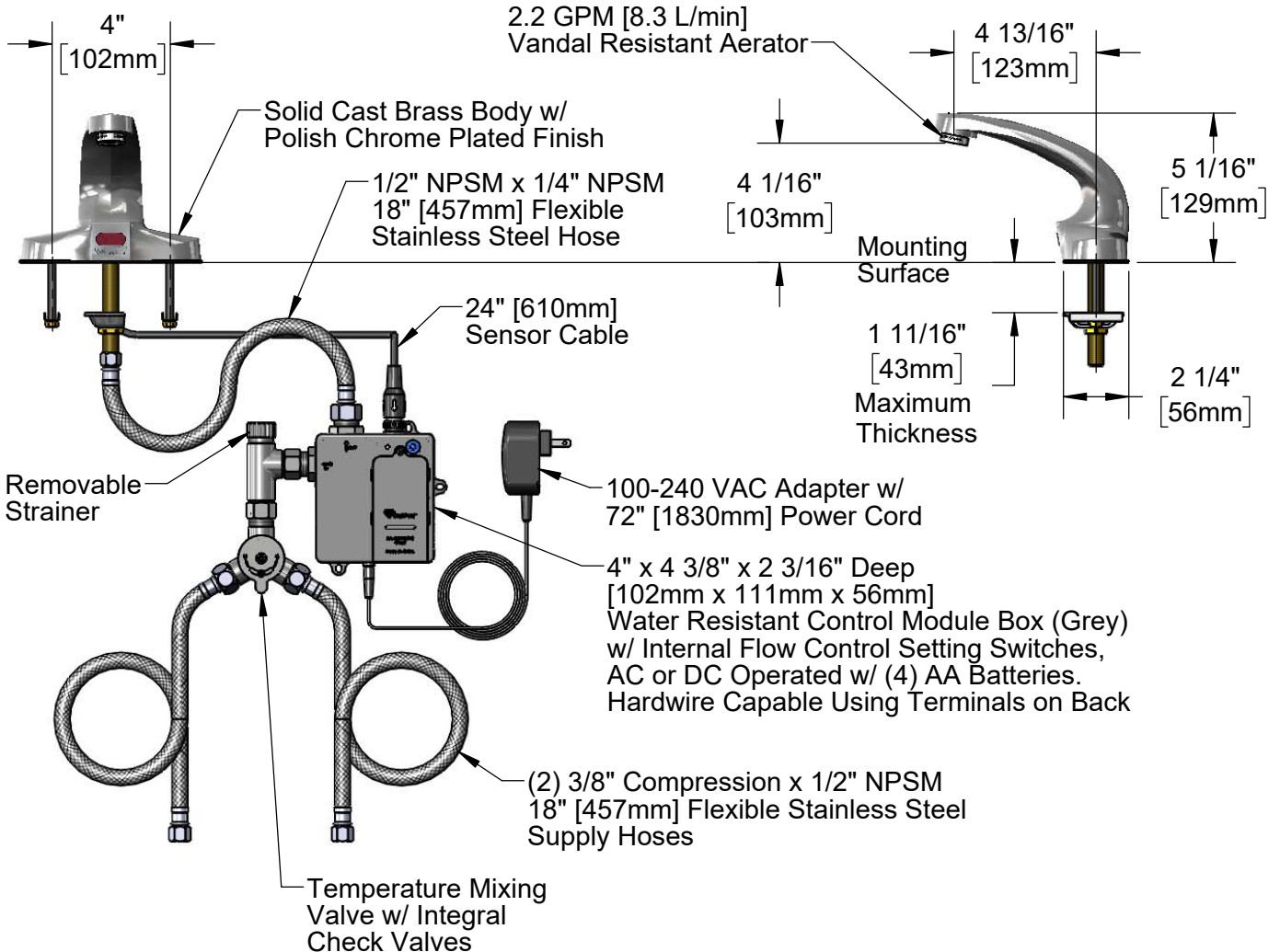
Job Name \_\_\_\_\_ Date \_\_\_\_\_

Model Specified \_\_\_\_\_ Quantity \_\_\_\_\_

Customer/Wholesaler \_\_\_\_\_

Contractor \_\_\_\_\_

Architect/Engineer \_\_\_\_\_



**Rough-In Requirement:**

- (1)  $\varnothing$  1" [25mm] Center Shank Mounting Hole
- (2)  $\varnothing$  1/2" Mounting Stud Holes on 4" [102mm] Centers

**Product Specifications:**

Chrome Plated Brass Electronic Faucet: 4" Centerset Deck Mount, Cast Spout w/ 2.2 GPM VR Aerator, AC/DC Control Module w/ Internal Flow Control Setting Switches, Temperature Control Mixing Valve w/ Integral Check Valves & 18" Long Hot & Cold Supply Stop Flexible Connector Hoses

**Product Compliance:**

ASME A112.18.1 / CSA B125.1  
NSF 61 - Section 9  
NSF 372 (Low Lead Content)  
ANSI A117.1 (ADA)  
UL 1951



**T&S BRASS AND BRONZE WORKS, INC.**  
 2 Saddleback Cove / P.O. Box 1088  
 Travelers Rest, SC 29690

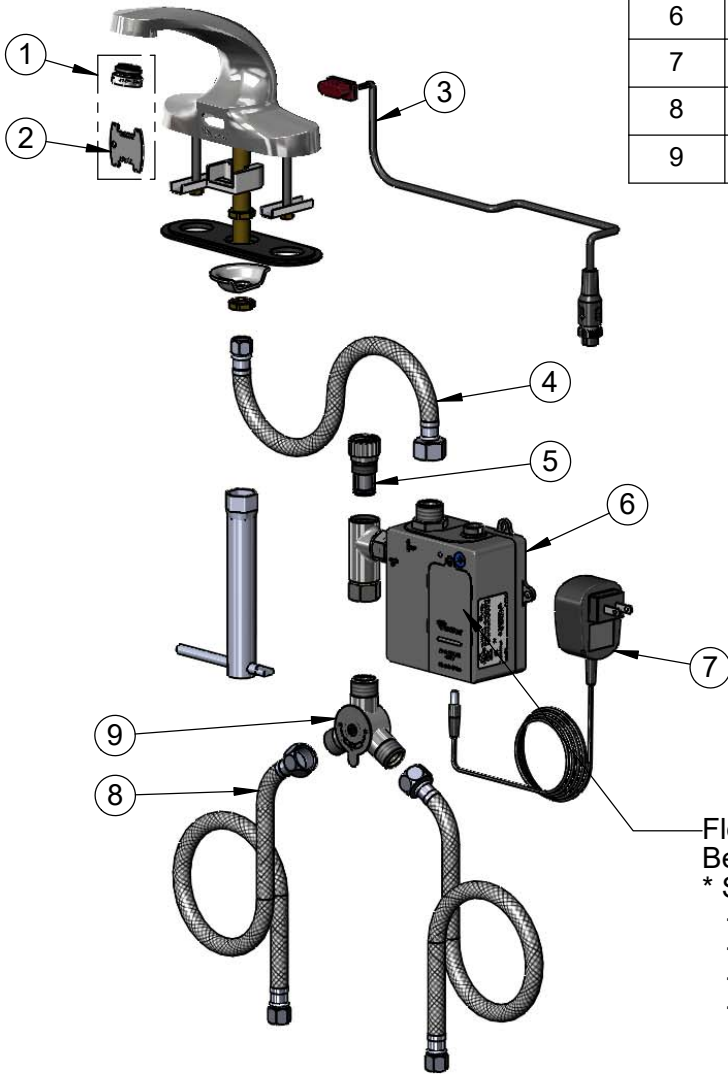
Model No.

**EC-3103-BA**

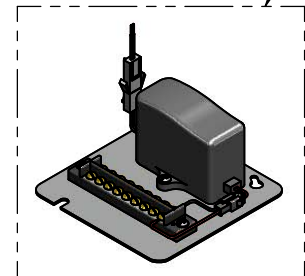
Item No.

Travelers Rest, SC: 800-476-4103 • Simi Valley, CA: 800-423-0150 • Fax: 864-834-3518 • www.tsbrass.com

ITEM NO.	SALES NO.	DESCRIPTION
1	B-0199-08	VR 2.2 GPM Aerator, 13/16-27 UN Male w/ Key
2	015425-45	Vandal Resistant Key
3	019174-45	Sensor Cable Assembly
4	016297-45	Inlet Hose, Faucet, 1/2" NPSM-F x 1/4" NPSM-F
5	EC-FILTER	Replacement Filter
6	019944-45	ChekPoint Control Module w/ Filter Tee
7	5EF-0002C	AC Adapter - US Plug
8	5EF-0005	Supply Hose, 9/16-24 Female x 1/2" NPSM
9	5EF-0006	Temperature Mixing valve



A Maximum of (8) ChekPoint Faucets can be Hardwire Connected and Powered by **EC-HARDWIRE** ChekPoint Hardwire AC Transformer. (Sold Separately)



Flow Control DIP Switches are Located Behind Battery Compartment Cover.  
 \* Switches are Set to DEFAULT Position:  
 - Auto Time Out = 15 Seconds  
 - Shut Off Delay = 1 Second  
 - Auto Flush = OFF  
 - Metering Mode = OFF

**\*Available Water Flow Control Selections:**

- Auto Time Out: 15 sec, 30 sec, 45 sec, 60 sec, 3 min, 20 min
- Shut Off Delay: 1 sec, 10 sec, 15 sec, 30 sec
- Auto Flush (30 Seconds After Every 12 Inactive Hours): ON or OFF
- Metering Mode: ON or OFF

**Product Specifications:**

Chrome Plated Brass Electronic Faucet: 4" Centerset Deck Mount, Cast Spout w/ 2.2 GPM VR Aerator, AC/DC Control Module w/ Internal Flow Control Setting Switches, Temperature Control Mixing Valve w/ Integral Check Valves & 18" Long Hot & Cold Supply Stop Flexible Connector Hoses

**Product Compliance:**

ASME A112.18.1 / CSA B125.1  
 NSF 61 - Section 9  
 NSF 372 (Low Lead Content)  
 ANSI A117.1 (ADA)  
 UL 1951