



# T&S BRASS AND BRONZE WORKS, INC.

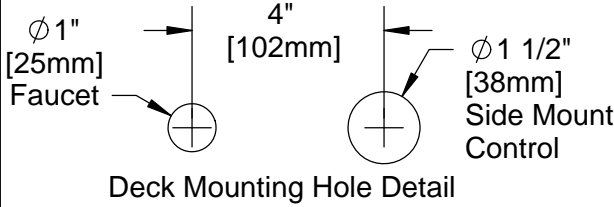
2 Saddleback Cove / P.O. Box 1088  
Travelers Rest, SC 29690

Model No.

**EC-3102-SM**

Item No.

Travelers Rest, SC: 800-476-4103 • Simi Valley, CA: 800-423-0150 • Fax: 864-834-3518 • www.tsbrass.com



This Space for Architect/Engineer Approval

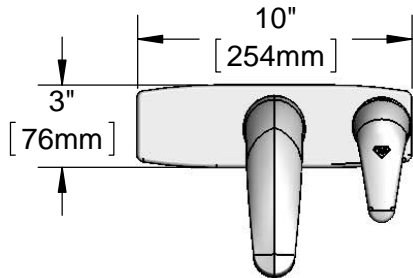
Job Name \_\_\_\_\_ Date \_\_\_\_\_

Model Specified \_\_\_\_\_ Quantity \_\_\_\_\_

Customer/Wholesaler \_\_\_\_\_

Contractor \_\_\_\_\_

Architect/Engineer \_\_\_\_\_



### B-2740 Side Mount Control Regulates Water Temperature and ON/OFF Setting.

Note: To Ensure Proper Operation of Sensor Faucet, Side Mount Control Should Remain in the OPEN Position at All Times.

Spout w/ 2.2 GPM Vandal Resistant Aerator

10" Chrome Plated Forged Brass Deck Plate

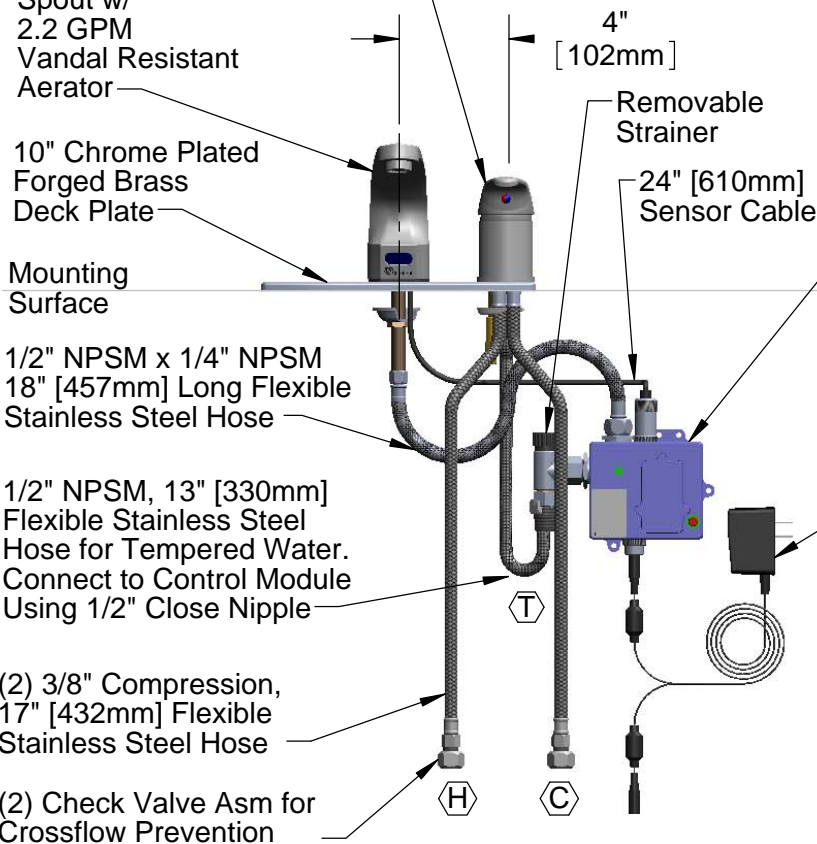
Mounting Surface

1/2" NPSM x 1/4" NPSM 18" [457mm] Long Flexible Stainless Steel Hose

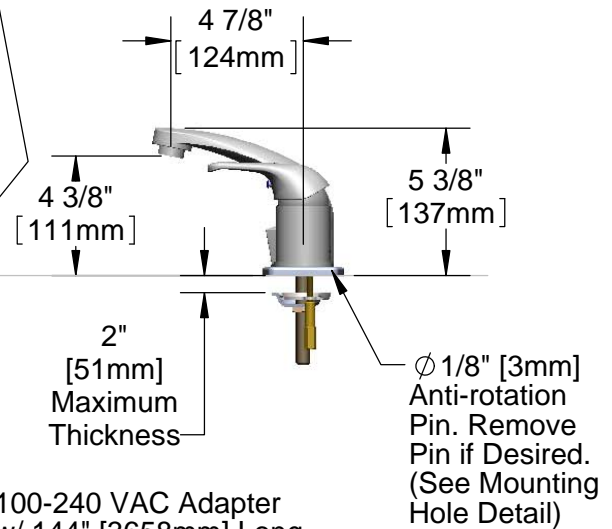
1/2" NPSM, 13" [330mm] Flexible Stainless Steel Hose for Tempered Water. Connect to Control Module Using 1/2" Close Nipple

(2) 3/8" Compression, 17" [432mm] Flexible Stainless Steel Hose

(2) Check Valve Asm for Crossflow Prevention



3 5/8" x 4 3/16" x 2" Deep [92mm x 106mm x 51mm] Water Resistant Control Module Box (Blue) w/ Internal Flow Control Setting Switches, AC or DC Operated w/ (4) AA Batteries. Hardwire Capable Using Terminals on Back



Box May Contain Extra Hoses That Are Not Needed and May be Discarded After Final Installation



#### Product Specifications:

Chrome Plated Brass Electronic Faucet: Deck Mount Cast Spout w/ VR Aerator, Side Mount Temperature Control, AC/DC Control Module w/ Internal Flow Control Switches, 17" Long Hot & Cold Supply Hoses w/ Check Valve Assemblies

#### Product Compliance:

ASME A112.18.1 / CSA B125.1  
NSF 61 - Section 9  
NSF 372 (Low Lead Content)  
ANSI A117.1 (ADA)  
UL 1951



# T&S BRASS AND BRONZE WORKS, INC.

2 Saddleback Cove / P.O. Box 1088  
Travelers Rest, SC 29690

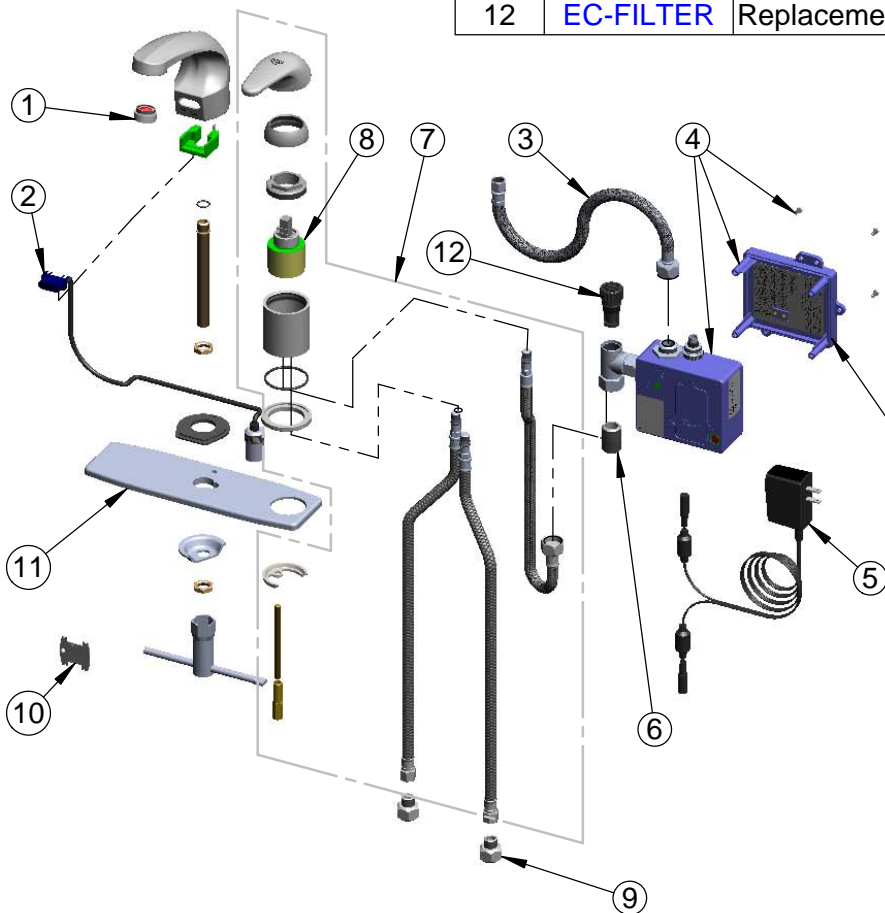
Model No.

**EC-3102-SM**

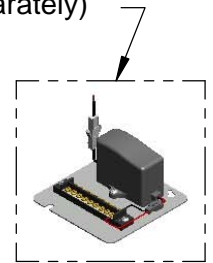
Item No.

Travelers Rest, SC: 800-476-4103 • Simi Valley, CA: 800-423-0150 • Fax: 864-834-3518 • www.tsbrass.com

ITEM NO.	SALES NO.	DESCRIPTION
1	016355-45	Aerator w/ Key, Vandal Resistant, 2.2 GPM, 13/16-27 Male
2	<a href="#">017195-45</a>	Angled Sensor w/ Cable
3	<a href="#">016297-45</a>	Inlet Hose, Faucet, 1/2" NPSM-F x 1/4" NPSM-F
4	<a href="#">016647-45</a>	ChekPoint Module (Blue)
5	<a href="#">5EF-0002</a>	Double Gang, Plug-in AC Transformer
6	<a href="#">002534-25</a>	Close Nipple, 1/2" NPT
7	<a href="#">B-2740</a>	Side Mount Control w/ Hoses & Ceramic Crtg
8	<a href="#">013080-45</a>	Ceramic Cartridge, <a href="#">B-2730</a>
9	<a href="#">016419-25</a>	CV Asm, 3/8" Comp-F x 3/8" Comp-M
10	<a href="#">015425-45</a>	Vandal Resistant Key
11	<a href="#">015084-40</a>	10" Deck Plate w/ Side Mount Hole
12	<a href="#">EC-FILTER</a>	Replacement Filter



A Maximum of (8) ChekPoint Faucets can be Hardwire Connected and Powered by [EC-HARDWIRE](#) ChekPoint Hardwire AC Transformer. (Sold Separately)



Label for Flow Control Switch Settings is Located on Inside of Back Cover.

Flow Control Switches are Located Inside Module Housing in Black Box Next to Battery Compartment.

\*Switches are Set to DEFAULT Position:

- Auto Time Out = 15 Seconds
- Shut Off Delay = 1 Second
- Auto Flush = OFF

Remove (4) Screws and Back Cover to Access Switches.

**\*Available Water Flow Control Selections:**

- Auto Time Out: 15 sec, 30 sec, 45 sec, 60 sec, 3 min, 20 min
- Shut Off Delay: 1 sec, 10 sec, 15 sec, 30 sec
- Auto Flush (30 Seconds After Every 12 Inactive Hours): ON or OFF

**Product Specifications:**

Chrome Plated Brass Electronic Faucet: Deck Mount Cast Spout w/ VR Aerator, Side Mount Temperature Control, AC/DC Control Module w/ Internal Flow Control Switches, 17" Long Hot & Cold Supply Hoses w/ Check Valve Assemblies

**Product Compliance:**

ASME A112.18.1 / CSA B125.1  
NSF 61 - Section 9  
NSF 372 (Low Lead Content)  
ANSI A117.1 (ADA)  
UL 1951