



# T&S BRASS AND BRONZE WORKS, INC.

2 Saddleback Cove / P.O. Box 1088  
Travelers Rest, SC 29690

Model No.

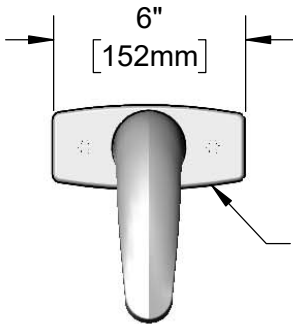
**EC-3102-4DP**

Item No.

Travelers Rest, SC: 800-476-4103 • Simi Valley, CA: 800-423-0150 • Fax: 864-834-3518 • www.tsbrass.com



**ADA Compliant**



4" c/c Polished Chrome Plated Brass Deck Plate w/ Deck Gasket

This Space for Architect/Engineer Approval

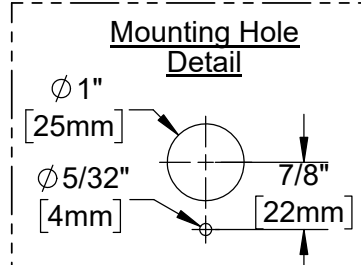
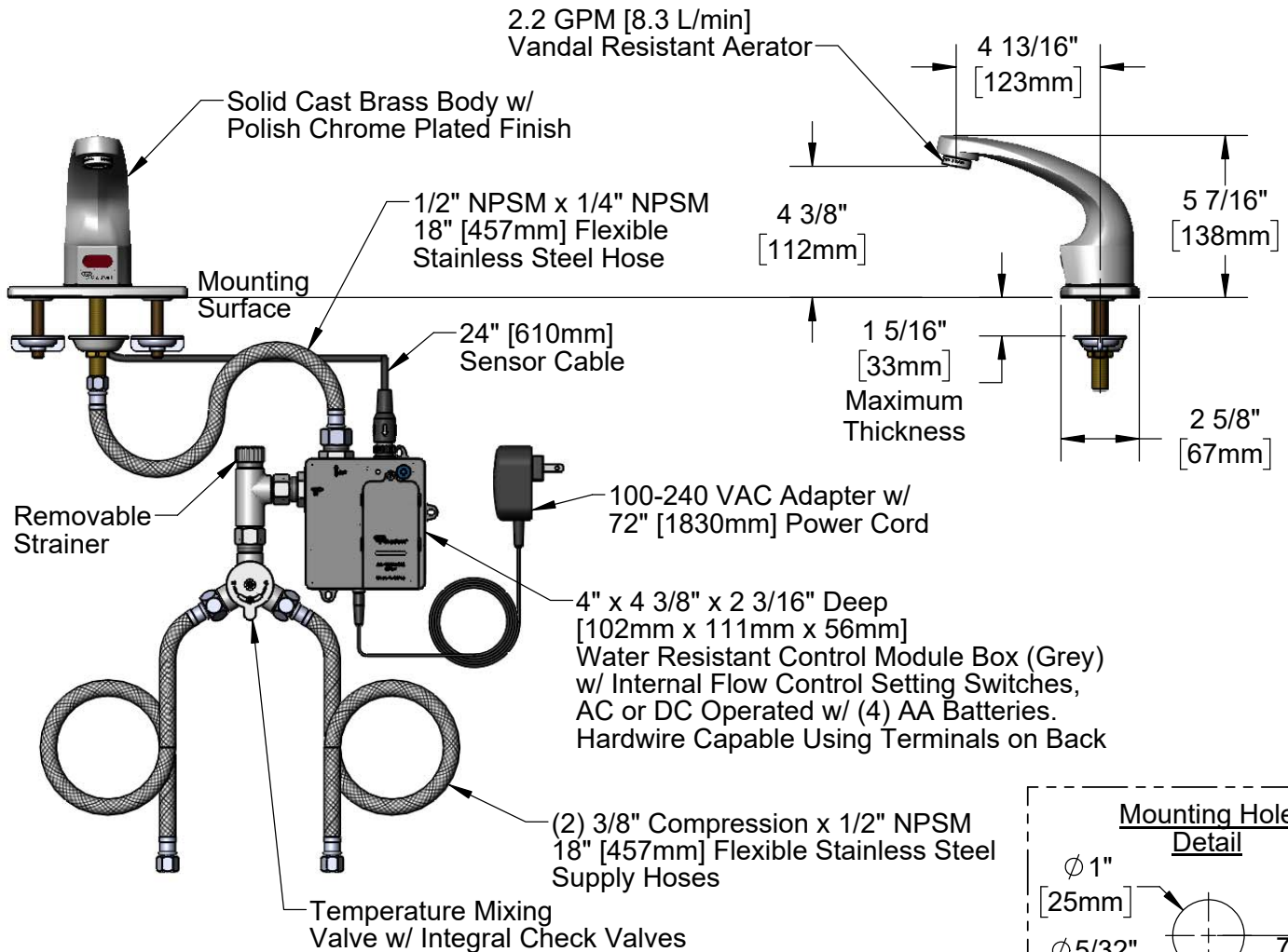
Job Name \_\_\_\_\_ Date \_\_\_\_\_

Model Specified \_\_\_\_\_ Quantity \_\_\_\_\_

Customer/Wholesaler \_\_\_\_\_

Contractor \_\_\_\_\_

Architect/Engineer \_\_\_\_\_



**Product Specifications:**

Chrome Plated Brass Electronic Faucet: Single Hole, Deck Mount, Cast Spout w/ 2.2 GPM VR Aerator, AC/DC Control Module w/ Internal Flow Control Setting Switches, Temperature Control Mixing Valve w/ Integral Check Valves, 4" Deck Plate & 18" Hot & Cold Supply Stop Flexible Connector Hoses

**Product Compliance:**

ASME A112.18.1 / CSA B125.1  
NSF 61 - Section 9  
NSF 372 (Low Lead Content)  
ANSI A117.1 (ADA)  
UL 1951



# T&S BRASS AND BRONZE WORKS, INC.

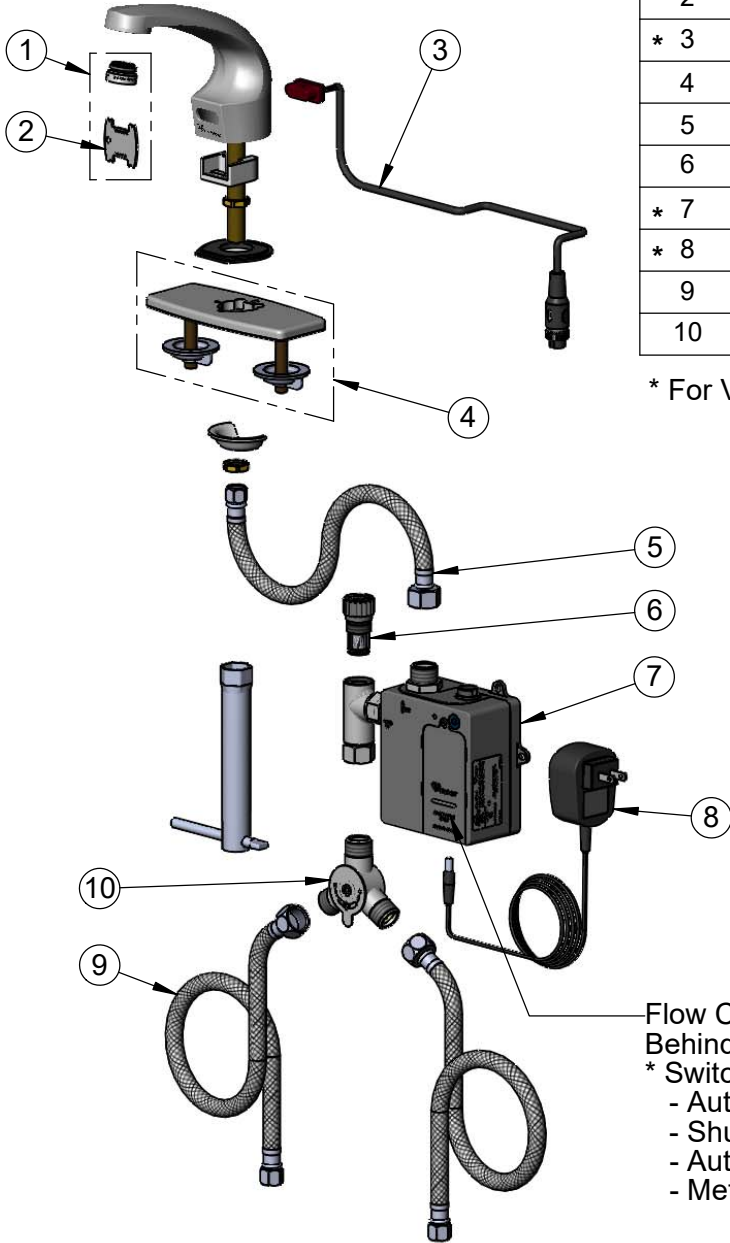
2 Saddleback Cove / P.O. Box 1088  
Travelers Rest, SC 29690

Model No.

**EC-3102-4DP**

Item No.

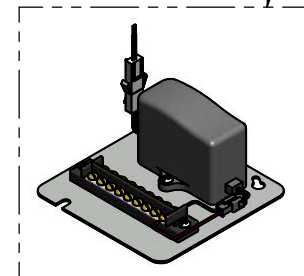
Travelers Rest, SC: 800-476-4103 • Simi Valley, CA: 800-423-0150 • Fax: 864-834-3518 • www.tsbrass.com



ITEM NO.	SALES NO.	DESCRIPTION
1	<a href="#">B-0199-08</a>	VR 2.2 GPM Aerator, 13/16-27 UN Male w/ Key
2	<a href="#">015425-45</a>	Vandal Resistant Key
* 3	<a href="#">019174-45</a>	Sensor Cable Assembly
4	<a href="#">013433-40</a>	4" c/c Universal Deck Plate
5	<a href="#">016297-45</a>	Inlet Hose, Faucet, 1/2" NPSM-F x 1/4" NPSM-F
6	<a href="#">EC-FILTER</a>	Replacement Filter
* 7	<a href="#">019944-45</a>	ChekPoint Control Module w/ Filter Tee
* 8	<a href="#">5EF-0002C</a>	AC Adapter - US Plug
9	<a href="#">5EF-0005</a>	Supply Hose, 9/16-24 Female x 1/2" NPSM
10	<a href="#">5EF-0006</a>	Temperature Mixing Valve

\* For Versions Prior to 2021, Consult with T&S Customer Service

A Maximum of (8) ChekPoint Faucets can be Hardwire Connected and Powered by [EC-HARDWIRE](#) ChekPoint Hardwire AC Transformer. (Sold Separately)



Flow Control DIP Switches are Located Behind Battery Compartment Cover.

\* Switches are Set to DEFAULT Position:

- Auto Time Out = 15 Seconds
- Shut Off Delay = 1 Second
- Auto Flush = OFF
- Metering Mode = OFF

\*Available Water Flow Control Selections:

- Auto Time Out: 15 sec, 30 sec, 45 sec, 60 sec, 3 min, 20 min
- Shut Off Delay: 1 sec, 10 sec, 15 sec, 30 sec
- Auto Flush (30 Seconds After Every 12 Inactive Hours): ON or OFF
- Metering Mode: ON or OFF

Product Specifications:

Chrome Plated Brass Electronic Faucet: Single Hole, Deck Mount, Cast Spout w/ 2.2 GPM VR Aerator, AC/DC Control Module w/ Internal Flow Control Setting Switches, Temperature Control Mixing Valve w/ Integral Check Valves, 4" Deck Plate & 18" Hot & Cold Supply Stop Flexible Connector Hoses

Product Compliance:

ASME A112.18.1 / CSA B125.1  
NSF 61 - Section 9  
NSF 372 (Low Lead Content)  
ANSI A117.1 (ADA)  
UL 1951