



**T&S BRASS AND BRONZE WORKS, INC.**  
 2 Saddleback Cove / P.O. Box 1088  
 Travelers Rest, SC 29690

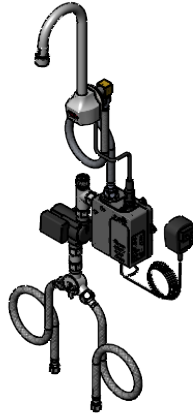
Model No.  
**EC-3101-HG**

Item No.

Travelers Rest, SC: 800-476-4103 • Simi Valley, CA: 800-423-0150 • Fax: 864-834-3518 • www.tsbrass.com



**ADA Compliant**



This Space for Architect/Engineer Approval

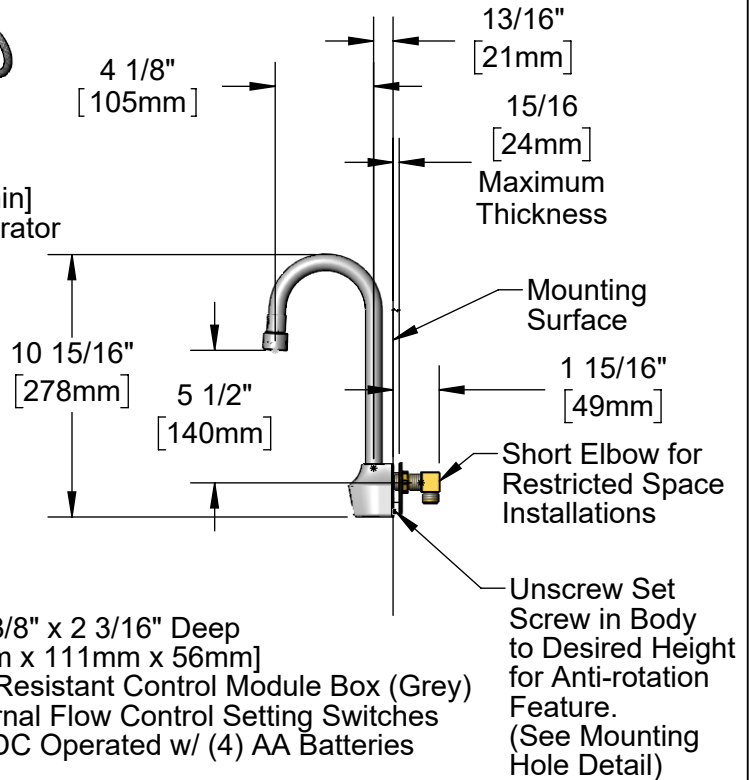
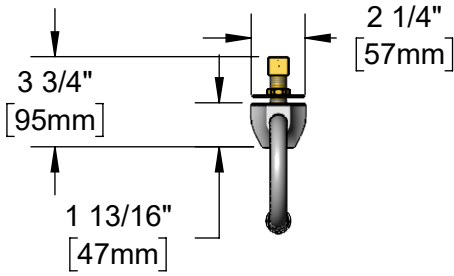
Job Name \_\_\_\_\_ Date \_\_\_\_\_

Model Specified \_\_\_\_\_ Quantity \_\_\_\_\_

Customer/Wholesaler \_\_\_\_\_

Contractor \_\_\_\_\_

Architect/Engineer \_\_\_\_\_



1/2" NPSM x 3/8" NPSM  
 30" [762mm] Flexible  
 Stainless Steel Hose

Removable  
 Strainer

Hydro-Generator  
 Power Supply.  
 No AA Batteries  
 Needed to Supply  
 Power to Faucet.

Temperature  
 Mixing Valve w/  
 Check Valves

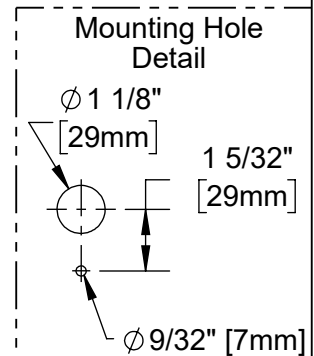
Rigid Gooseneck  
 w/ 2.2 GPM [8.3 L/min]  
 Vandal Resistant Aerator

24" [610mm]  
 Sensor Cable

4" x 4 3/8" x 2 3/16" Deep  
 [102mm x 111mm x 56mm]  
 Water Resistant Control Module Box (Grey)  
 w/ Internal Flow Control Setting Switches  
 AC or DC Operated w/ (4) AA Batteries

Optional 100-240 VAC  
 Adapter w/ 72" [1830mm]  
 Power Cord

(2) 3/8" Compression x 1/2" NPSM  
 18" [457mm] Flexible Stainless Steel  
 Supply Hoses



**Product Specifications:**

Chrome Plated Brass Electronic Faucet: Wall Mount Rigid Gooseneck w/ 2.2 GPM VR Aerator, AC/DC Control Module w/ Internal Flow Cont. Setting Switches, Temperature Control Mixing Valve w/ Check Valves, Hydro-Generator, 18" Hot & Cold Supply Stop Flexible Connector Hoses

**Product Compliance:**

ASME A112.18.1 / CSA B125.1  
 NSF 61 - Section 9  
 NSF 372 (Low Lead Content)  
 ANSI A117.1 (ADA)  
 UL 1951



# T&S BRASS AND BRONZE WORKS, INC.

2 Saddleback Cove / P.O. Box 1088  
Travelers Rest, SC 29690

Model No.

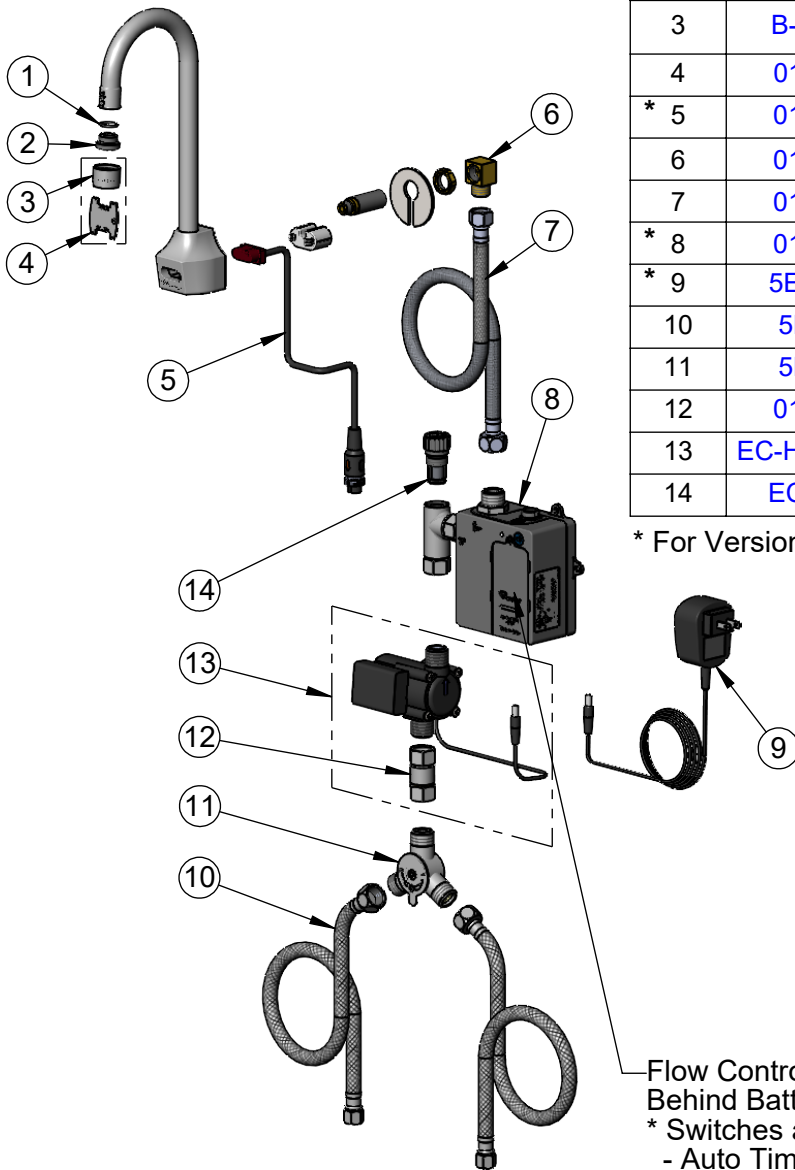
**EC-3101-HG**

Item No.

Travelers Rest, SC: 800-476-4103 • Simi Valley, CA: 800-423-0150 • Fax: 864-834-3518 • www.tsbrass.com

ITEM NO.	SALES NO.	DESCRIPTION
1	006575-45	O-Ring
2	044A	3/8" to Aerator Adapter
3	B-0199-06	VR 2.2 GPM Aerator, 55/64-27 Female w/ Key
4	015425-45	Vandal Resistant Key
* 5	019174-45	Sensor Cable Assembly
6	015345-20	Low Profile Elbow, 3/8 NPSM
7	016325-45	Flex Connector, 3/8 NPSM x 1/2 NPSM
* 8	019944-45	ChekPoint Control Module w/ Filter Tee
* 9	5EF-0002C	AC Adapter - US Plug
10	5EF-0005	Supply Hose, 9/16-24 Female x 1/2" NPSM
11	5EF-0006	Mechanical Mixing Valve
12	017506-45	1/2" NPSM Swivel Coupling
13	EC-HYDROGEN	HydroGenerator Power Supply
14	EC-FILTER	Replacement Filter

\* For Versions Prior to 2021, Consult with T&S Customer Service



Flow Control Switches are Located Behind Battery Compartment Cover.

\* Switches are Set to DEFAULT Position:

- Auto Time Out = 15 Seconds
- Shut Off Delay = 1 Second
- Auto Flush = OFF
- Metering Mode = OFF

\* Available Water Flow Control Selections:

- Auto Time Out: 15 sec, 30 sec, 45 sec, 60 sec, 3 min, 20 min
- Shut Off Delay: 1 sec, 10 sec, 15 sec, 30 sec
- Auto Flush (30 Seconds After Every 12 Inactive Hours): ON or OFF
- Metering Mode: ON or OFF

**Product Specifications:**

Chrome Plated Brass Electronic Faucet: Wall Mount Rigid Gooseneck w/ 2.2 GPM VR Aerator, AC/DC Control Module w/ Internal Flow Cont. Setting Switches, Temperature Control Mixing Valve w/ Check Valves, Hydro-Generator, 18" Hot & Cold Supply Stop Flexible Connector Hoses

**Product Compliance:**

ASME A112.18.1 / CSA B125.1  
NSF 61 - Section 9  
NSF 372 (Low Lead Content)  
ANSI A117.1 (ADA)  
UL 1951