



T&S BRASS AND BRONZE WORKS, INC.
 2 Saddleback Cove / P.O. Box 1088
 Travelers Rest, SC 29690

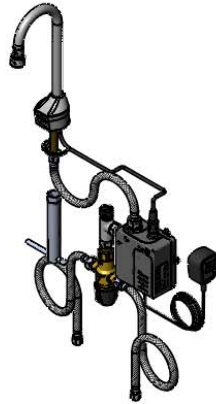
Model No.
EC-3100-VF5-TMV

Item No.

Travelers Rest, SC: 800-476-4103 • Simi Valley, CA: 800-423-0150 • Fax: 864-834-3518 • www.tsbrass.com



ADA Compliant



This Space for Architect/Engineer Approval

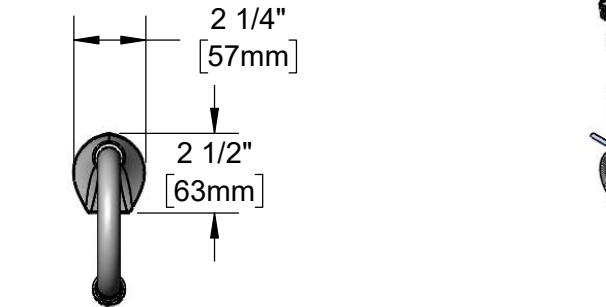
Job Name _____ Date _____

Model Specified _____ Quantity _____

Customer/Wholesaler _____

Contractor _____

Architect/Engineer _____



Rigid Gooseneck w/
B-0199-06-N05
 0.5 GPM [1.9 L/min]
 Vandal Resistant
 Non-Aerated Spray Device

1/2" NPSM x 1/4" NPSM
 18" [457mm] Flexible
 Stainless Steel Hose

24" [610mm]
 Sensor Cable

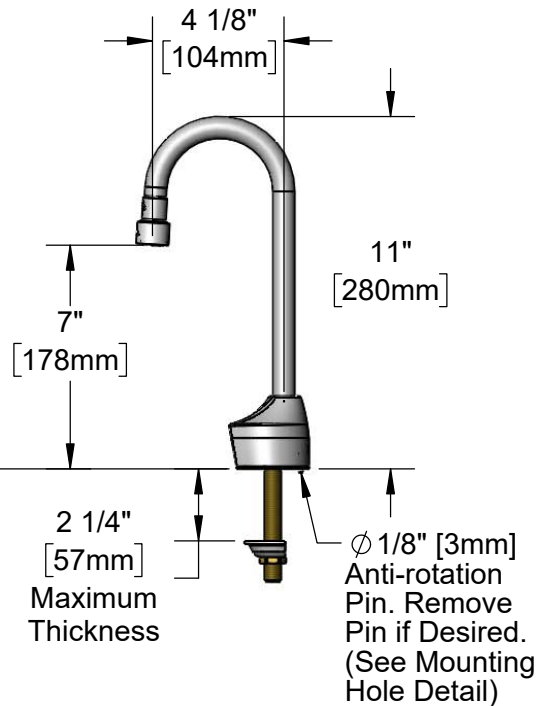
100-240 VAC Adapter
 w/ 72" [1830mm] Power
 Cord

Removable
 Strainer

4" x 4 3/8" x 2 3/16" Deep
 [102mm x 111mm x 56mm]
 Water Resistant Control Module Box
 (Grey) w/ Internal Flow Control
 Setting Switches, AC Plug-in, or DC Operated
 w/ (4) AA Batteries. Hardwire Capable
 Using Terminals on Back

(2) 3/8" Compression x 1/2" NPSM
 18" [457mm] Flexible Stainless Steel
 Supply Hoses

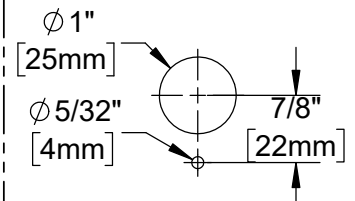
EC-TMV
 ASSE 1070 Thermostatic Temperature
 Mixing Valve w/ Check Valves



2 1/4"
 [57mm]
 Maximum
 Thickness

ϕ 1/8" [3mm]
 Anti-rotation
 Pin. Remove
 Pin if Desired.
 (See Mounting
 Hole Detail)

Mounting Hole
 Detail



Product Specifications:

Chrome Plated Brass Electronic Faucet: Deck Mount, Rigid Gooseneck w/ VR 0.5 GPM Non-Aerated Spray Device, AC/DC Control Module w/ Internal Flow Control Setting Switches, Thermostatic Temperature Control Mixing Valve w/ Check Valves, 18" Hot & Cold Supply Stop Flexible Connector Hoses

Product Compliance:

ASME A112.18.1 / CSA B125.1
 NSF 61 - Section 9
 NSF 372 (Low Lead Content)
 ANSI A117.1 (ADA)
 UL 1951
 ASSE 1070 (TMV)



T&S BRASS AND BRONZE WORKS, INC.

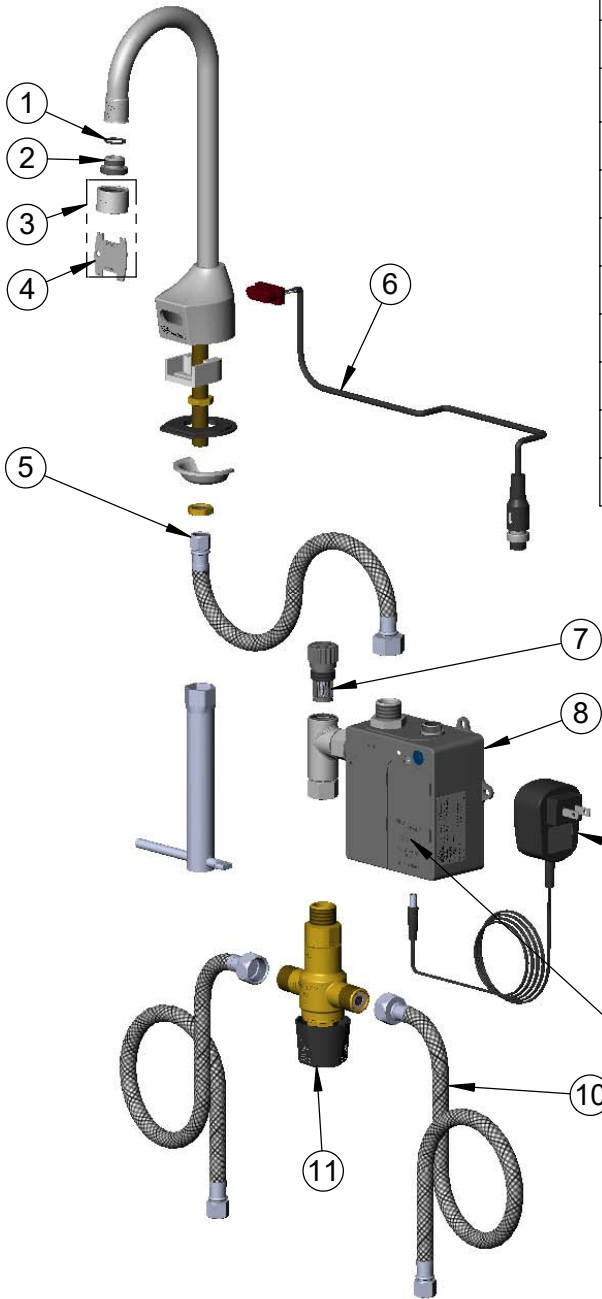
2 Saddleback Cove / P.O. Box 1088
Travelers Rest, SC 29690

Model No.

EC-3100-VF5-TMV

Item No.

Travelers Rest, SC: 800-476-4103 • Simi Valley, CA: 800-423-0150 • Fax: 864-834-3518 • www.tsbrass.com



ITEM NO.	SALES NO.	DESCRIPTION
1	006575-45	O-Ring
2	044A	3/8" to Aerator Adapter
3	B-0199-06-N05	VR 0.5 GPM Non-Aerated Spray Device, 55/64-27 UN Female w/ Key
4	015425-45	Vandal Resistant Key
5	016297-45	Inlet Hose, Faucet, 1/2" NPSM-F x 1/4" NPSM-F
* 6	019174-45	Sensor Cable Assembly
7	EC-FILTER	Replacement Filter
* 8	019944-45	ChekPoint Control Module w/ Filter Tee
* 9	5EF-0002C	AC Adapter - US Plug
10	5EF-0005	Supply Hose, 9/16-24 Female x 1/2" NPSM
11	EC-TMV	ASSE 1070 Thermostatic Mixing Valve

* For Versions Prior to 2021, Consult with T&S Customer Service

A Maximum of (8) ChekPoint Faucets can be Hardwire Connected and Powered by **EC-HARDWIRE** ChekPoint Hardwire AC Transformer. (Sold Separately)



Flow Control Switches are Located Behind Battery Compartment Cover.
* Switches are Set to DEFAULT Position:
- Auto Time Out = 15 Seconds
- Shut Off Delay = 1 Second
- Auto Flush = OFF
- Metering Mode = OFF

*** Available Water Flow Control Selections:**

- Auto Time Out: 15 sec, 30 sec, 45 sec, 60 sec, 3 min, 20 min
- Shut Off Delay: 1 sec, 10 sec, 15 sec, 30 sec
- Auto Flush (30 Seconds After Every 12 Inactive Hours): ON or OFF
- Metering Mode: ON or OFF

Product Specifications:

Chrome Plated Brass Electronic Faucet: Deck Mount, Rigid Gooseneck w/ VR 0.5 GPM Non-Aerated Spray Device, AC/DC Control Module w/ Internal Flow Control Setting Switches, Thermostatic Temperature Control Mixing Valve w/ Check Valves, 18" Hot & Cold Supply Stop Flexible Connector Hoses

Product Compliance:

ASME A112.18.1 / CSA B125.1
NSF 61 - Section 9
NSF 372 (Low Lead Content)
ANSI A117.1 (ADA)
UL 1951
ASSE 1070 (TMV)