



T&S BRASS AND BRONZE WORKS, INC.
 2 Saddleback Cove / P.O. Box 1088
 Travelers Rest, SC 29690

Model No.
EC-2360

Item No.

Travelers Rest, SC: 800-476-4103 • Simi Valley, CA: 800-423-0150 • Fax: 864-834-3518 • www.tsbrass.com



ADA Compliant



This Space for Architect/Engineer Approval

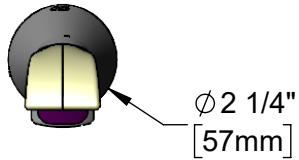
Job Name _____ Date _____

Model Specified _____ Quantity _____

Customer/Wholesaler _____

Contractor _____

Architect/Engineer _____



Rubber Mouth Guard



Mounting Surface

1/2" NPSM x 1/4" NPSM
 18" [457mm] Long Flexible
 Stainless Steel Hose

24" [610mm]
 Sensor Cable

Flow Control Valve.
 Provide Space Above for
 Adjustment Screw Access.
 Requires 3/32" Hex Key
 (Not Included)

Removable
 Strainer



4 15/16"
 [126mm]

Rubber Deck
 Gasket

Removable ϕ 3/16"
 Anti-Rotation Pin

1/2"
 [13mm]
 Maximum
 Thickness

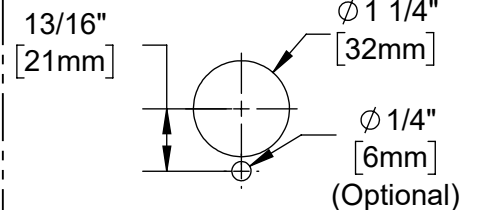
13/16"
 [20mm]

4" x 4 3/8" x 2" Deep
 [102mm x 111mm x 51mm]
 Water Resistant Control Module Box (Grey)
 w/ Internal Flow Control Setting
 Switches, AC or DC Operated w/ (4) AA
 Batteries.
 Hardwire Capable Using Terminals on Back

100-240 VAC Adapter
 w/ 71" [1830mm] Long
 Power Cable

3/8" Compression x 1/2" NPSM
 18" [457mm] Flexible Stainless Steel
 Supply Hose

Mounting Hole
 Detail



Product Specifications:

Chrome Plated Brass Electronic Bubbler: Single Hole, Deck Mount, Rubber Mouth Guard, AC/DC Control Module w/ Internal Flow Control Setting Switches, Flow Control Valve & 18" Long Flexible Connector Hose

Product Compliance:

ASME A112.18.1 / CSA B125.1
 NSF 61 - Section 9
 NSF 372 (Low Lead Content)
 ANSI A117.1 (ADA)
 UL 1951



T&S BRASS AND BRONZE WORKS, INC.

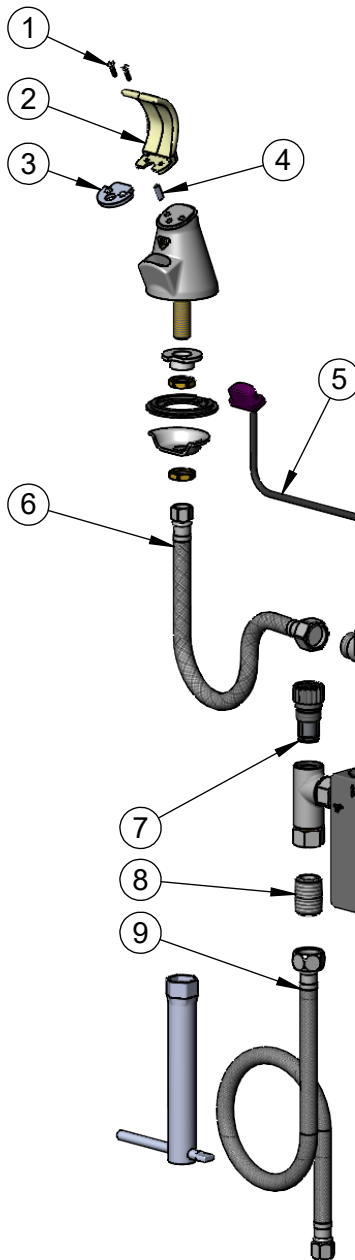
2 Saddleback Cove / P.O. Box 1088
Travelers Rest, SC 29690

Model No.

EC-2360

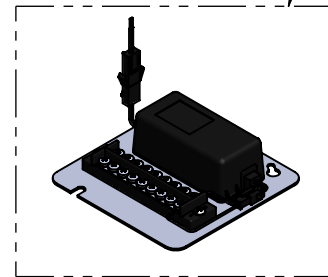
Item No.

Travelers Rest, SC: 800-476-4103 • Simi Valley, CA: 800-423-0150 • Fax: 864-834-3518 • www.tsbrass.com



ITEM NO.	SALES NO.	DESCRIPTION
1	009598-45	Mouth Guard Screw (2)
2	009595-45	Rubber Mouth Guard
3	009596-40	Mouth Guard Holder
4	009594-45	Flow Straightener
5	5EF-0004C	Sensor Cable Assembly - Curved Lens
6	016297-45	Inlet Hose, Faucet, 1/2" NPSM-F x 1/4" NPSM-F
7	EC-FILTER	Replacement Filter
8	002534-25	Close Nipple, 1/2" NPT
9	5EF-0005	Supply Hose, 9/16-24 Female x 1/2" NPSM
10	5EF-0002C	AC Adapter - US Plug
11	019944-45	ChekPoint Control Module w/ Filter Tee
12	020672-40	Flow Control Valve

A Maximum of (8) ChekPoint Faucets can be Hardwire Connected and Powered by **EC-HARDWIRE** ChekPoint Hardwire AC Transformer. (Sold Separately)



Flow Control DIP Switches are Located Behind Battery Compartment Cover.

* Switches are Set to DEFAULT Position:

- Auto Time Out = 15 Seconds
- Shut Off Delay = 1 Second
- Auto Flush = OFF
- Metering Mode = OFF

***Available Water Flow Control Selections:**

- Auto Time Out: 15 sec, 30 sec, 45 sec, 60 sec, 3 min, 20 min
- Shut Off Delay: 1 sec, 10 sec, 15 sec, 30 sec
- Auto Flush (30 Seconds After Every 12 Inactive Hours): ON or OFF
- Metering Mode: ON or OFF

Product Specifications:

Chrome Plated Brass Electronic Bubbler: Single Hole, Deck Mount, Rubber Mouth Guard, AC/DC Control Module w/ Internal Flow Control Setting Switches, Flow Control Valve & 18" Long Flexible Connector Hose

Product Compliance:

ASME A112.18.1 / CSA B125.1
NSF 61 - Section 9
NSF 372 (Low Lead Content)
ANSI A117.1 (ADA)
UL 1951