



T&S BRASS AND BRONZE WORKS, INC.

2 Saddleback Cove / P.O. Box 1088
Travelers Rest, SC 29690



REG. #A2601
ISO #9001

Model No.

EB-2322-QD

Item No.

Travelers Rest, SC: 800-476-4103 Simi Valley, CA: 800-423-0150 Fax: 864-834-3518 www.tsbrass.com

This Space for Architect/Engineer Approval

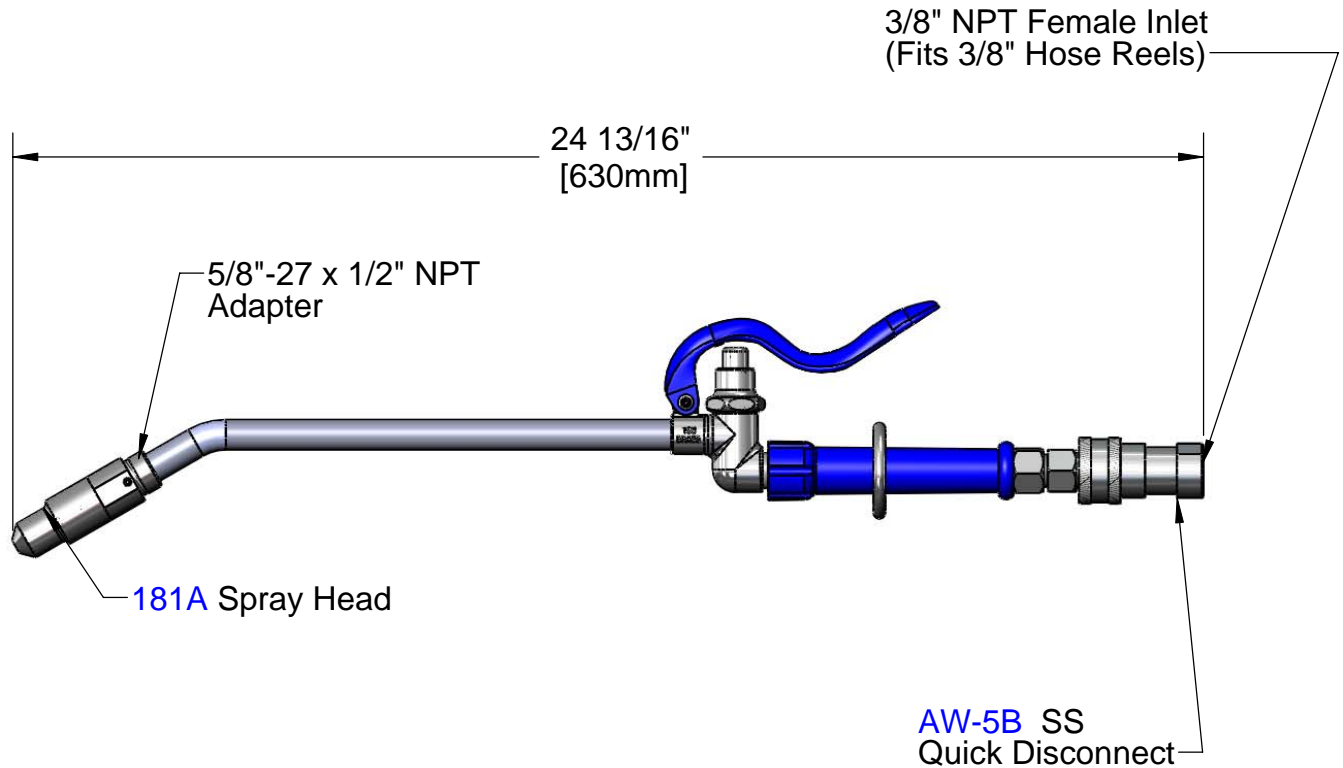
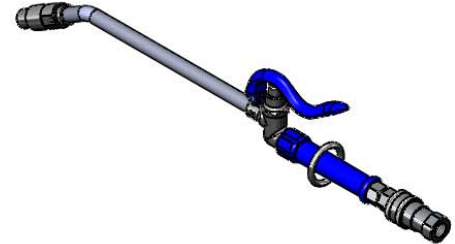
Job Name _____ Date _____

Model Specified _____ Quantity _____

Customer/Wholesaler _____

Contractor _____

Architect/Engineer _____



Product Specifications:

**Extension Spray Valve w/ Self-Closing
Spray Valve, Extended Handle, Removable Spray Head
& SS Quick Disconnect**

Drawn
JRM

Checked
DMH

Approved
JHB

Scale:

1:4

Date:

05/03/10



T&S BRASS AND BRONZE WORKS, INC.

2 Saddleback Cove / P.O. Box 1088
Travelers Rest, SC 29690



REG. #A2601
ISO #9001

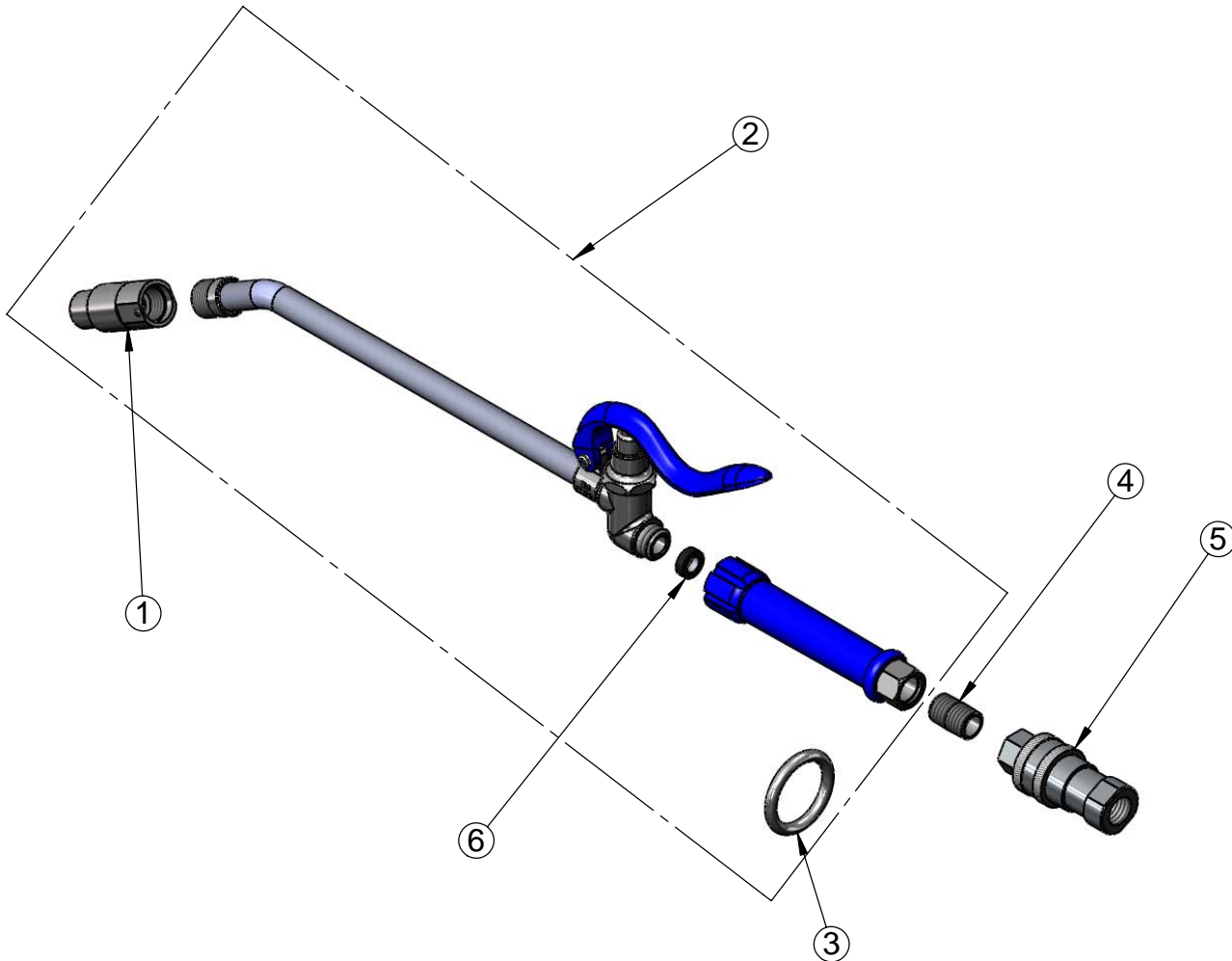
Model No.

EB-2322-QD

Item No.

Travelers Rest, SC: 800-476-4103 Simi Valley, CA: 800-423-0150 Fax: 864-834-3518 www.tsbrass.com

ITEM NO.	SALES NO.	DESCRIPTION
1	181A	Shower Head
2	EB-2322	Extended Wand Spray Valve
3	000907-45	Hold Down Ring Assembly
4	002535-25	3/8" NPT Close Nipple
5	AW-5B	3/8" NPT Socket/Plug QD SS
6	010476-45	#27 Washer



Product Specifications:

Extension Spray Valve w/ Self-Closing
Spray Valve, Extended Handle, Removable Spray Head
& SS Quick Disconnect

Drawn

JRM

Checked

DMH

Approved

JHB

Scale:

1:4

Date:

05/03/10