



T&S BRASS AND BRONZE WORKS, INC.
 2 Saddleback Cove / P.O. Box 1088
 Travelers Rest, SC 29690

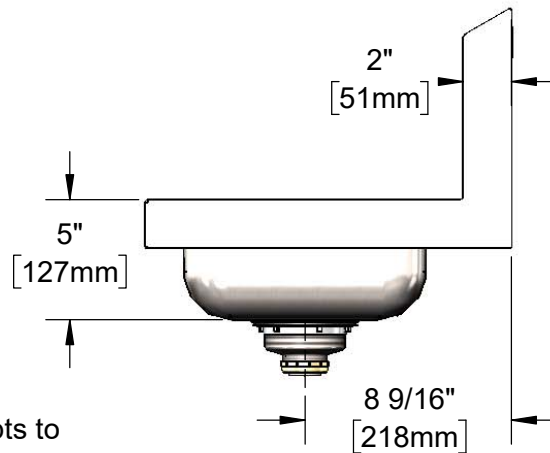
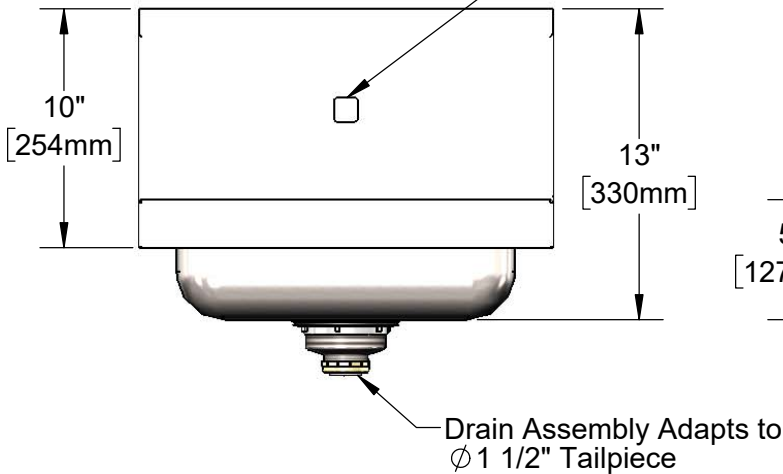
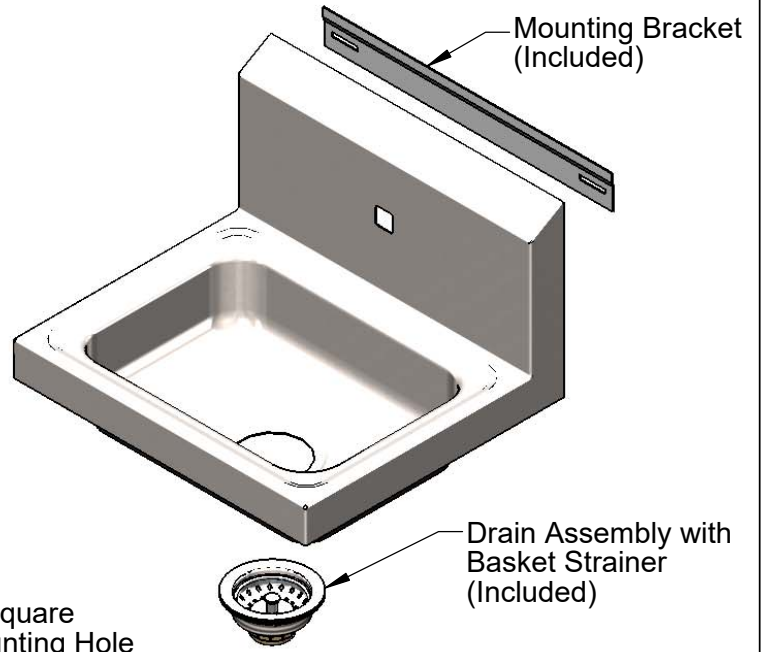
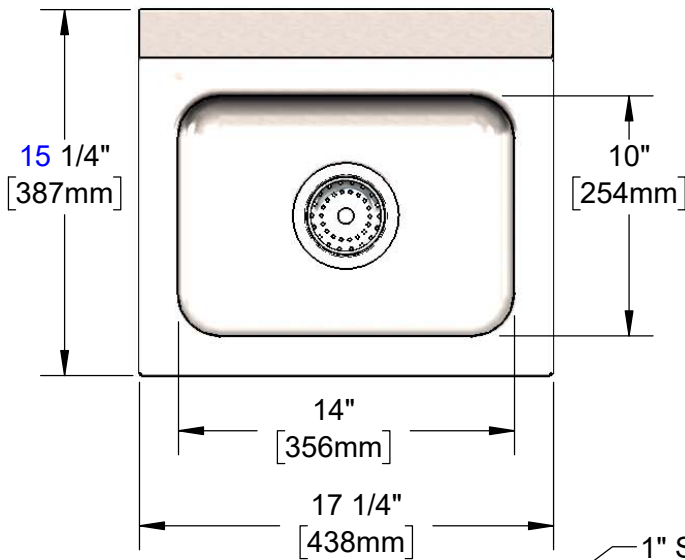
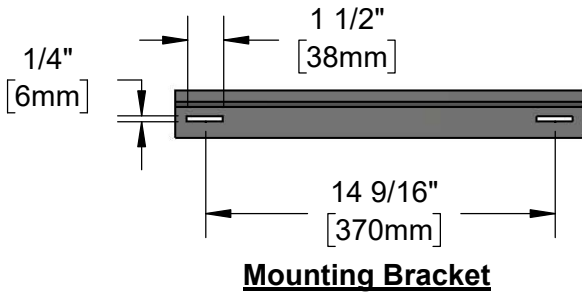
Model No.
CH-W1715

Item No.

Travelers Rest, SC: 800-476-4103 • Simi Valley, CA: 800-423-0150 • Fax: 864-834-3518 • www.tsbrass.com

This Space for Architect/Engineer Approval

Job Name _____ Date _____
 Model Specified _____ Quantity _____
 Customer/Wholesaler _____
 Contractor _____
 Architect/Engineer _____



Product Specifications:
 Hand Wash Sink w/ Backsplash, Drain Assembly and Mounting Bracket.
 NSF Approved, Stainless Steel, 17" x 15" Overall, 14" x 10" Bowl,
 Single Faucet Mounting Hole, 3 1/2" Drain Hole

Product Compliance:
 ASME A112.19.3 / CSA B45.4
 NSF 2