



# T&S BRASS AND BRONZE WORKS, INC.

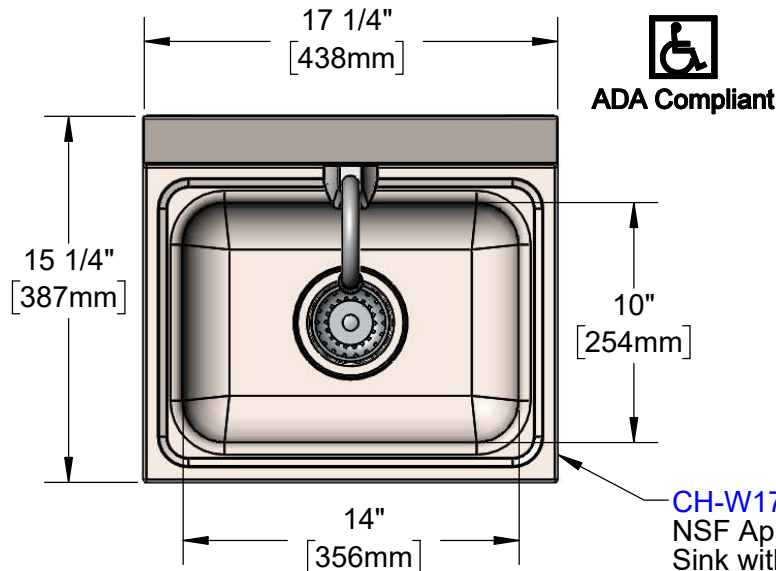
2 Saddleback Cove / P.O. Box 1088  
Travelers Rest, SC 29690

Model No.

**CH-3101**

Item No.

Travelers Rest, SC: 800-476-4103 • Simi Valley, CA: 800-423-0150 • Fax: 864-834-3518 • www.tsbrass.com



**ADA Compliant**

This Space for Architect/Engineer Approval

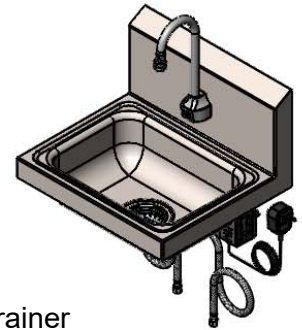
Job Name \_\_\_\_\_ Date \_\_\_\_\_

Model Specified \_\_\_\_\_ Quantity \_\_\_\_\_

Customer/Wholesaler \_\_\_\_\_

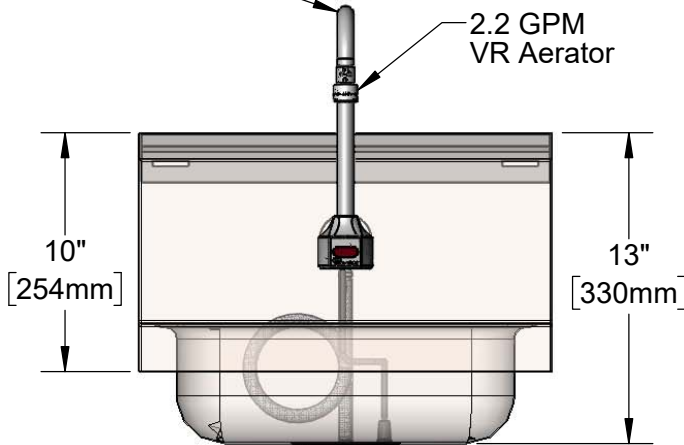
Contractor \_\_\_\_\_

Architect/Engineer \_\_\_\_\_

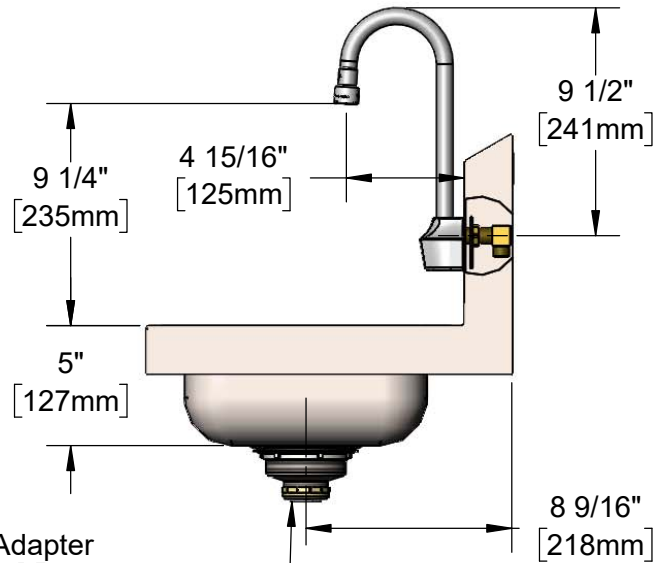


**CH-W1715**  
NSF Approved Stainless Steel Sink with 3 1/2" Drain Hole.  
Supplied with Mounting Bracket and Drain Assembly w/ Basket Strainer

**EC-3101**  
ChekPoint Electronic Sensor Faucet



2.2 GPM VR Aerator



Removable Strainer

100-240 VAC Adapter w/ 72" [1830mm] Power Cord

(2) 3/8" Compression x 1/2" NPSM 18" [457mm] Flexible Stainless Steel Supply Hoses

Drain Assembly Adapts to  $\phi$  1 1/2" Tailpiece

Temperature Mixing Valve w/ Integral Check Valves

**Product Specifications:**

Hand Wash Sink / Elec. Sensor Faucet, Stainless Steel Sink / Backsplash, 3 1/2" Drain Assembly, **EC-3101** ChekPoint Electronic Sensor Faucet, Rigid GN w/ VR Aerator, AC/DC Control Module, Temp. Control Mixing Valve, 18" Flexible Supply Hoses

**Product Compliance:**

ASME A112.18.1 / CSA B125.1  
ASME A112.19.3 / CSA B45.4  
NSF 61 - Section 9  
NSF 372 (Low Lead Content)  
UL 1951  
ANSI A117.1 (ADA)  
NSF 2 (Sink)



**T&S BRASS AND BRONZE WORKS, INC.**  
 2 Saddleback Cove / P.O. Box 1088  
 Travelers Rest, SC 29690

Model No.  
**CH-3101**

Item No.

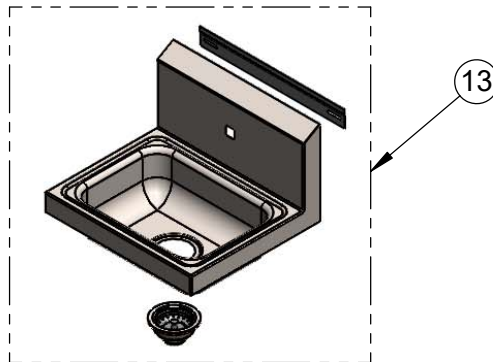
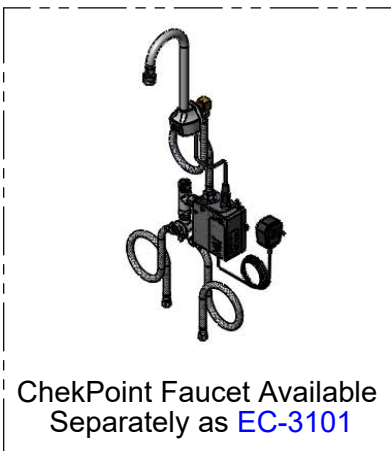
Travelers Rest, SC: 800-476-4103 • Simi Valley, CA: 800-423-0150 • Fax: 864-834-3518 • www.tsbrass.com

ITEM NO.	SALES NO.	DESCRIPTION
1	006575-45	O-Ring
2	044A	3/8" to Aerator Adapter
3	B-0199-06	Aerator, Vandal Resistant
4	015425-45	Vandal Resistant Key
* 5	019174-45	Sensor Cable Assembly
6	015345-20	Low Profile Elbow, 3/8 NPSM
7	016325-45	Flex Connector, 3/8 NPSM x 1/2 NPSM
8	EC-FILTER	Replacement Filter
* 9	019944-45	ChekPoint Control Module w/ Filter Tee
* 10	5EF-0002C	AC Adapter - US Plug
11	5EF-0005	Supply Hose, 9/16-24 Female x 1/2" NPSM
12	5EF-0006	Mechanical Mixing Valve
13	CH-W1715	17" x 15" Sink w/ Drain Assembly

\* For Versions Prior to 2021, Consult with T&S Customer Service

Flow Control Switches are Located Behind Battery Compartment Cover.  
 \* Switches are Set to DEFAULT Position:  
 - Auto Time Out = 15 Seconds  
 - Shut Off Delay = 1 Second  
 - Auto Flush = OFF  
 - Metering Mode = OFF

\* Available Water Flow Control Selections:  
 - Auto Time Out: 15 sec, 30 sec, 45 sec, 60 sec, 3 min, 20 min  
 - Shut Off Delay: 1 sec, 10 sec, 15 sec, 30 sec  
 - Auto Flush (30 Seconds After Every 12 Inactive Hours): ON or OFF  
 - Metering Mode: ON or OFF



Product Specifications:  
 Hand Wash Sink / Elec. Sensor Faucet, Stainless Steel Sink / Backsplash, 3 1/2" Drain Assembly, EC-3101 ChekPoint Electronic Sensor Faucet, Rigid GN w/ VR Aerator, AC/DC Control Module, Temp. Control Mixing Valve, 18" Flexible Supply Hoses

Product Compliance:  
 ASME A112.18.1 / CSA B125.1  
 ASME A112.19.3 / CSA B45.4  
 NSF 61 - Section 9  
 NSF 372 (Low Lead Content)  
 UL 1951  
 ANSI A117.1 (ADA)  
 NSF 2 (Sink)