



T&S BRASS AND BRONZE WORKS, INC.

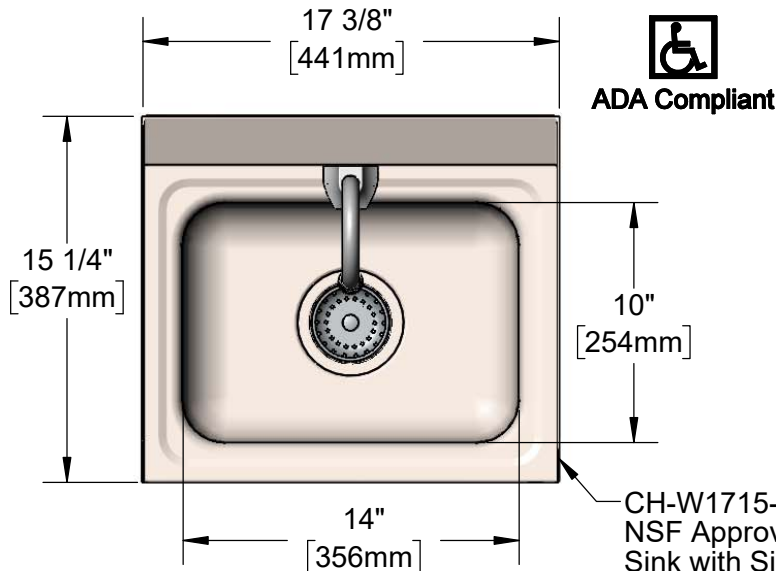
2 Saddleback Cove / P.O. Box 1088
Travelers Rest, SC 29690

Model No.

CH-3101-S

Item No.

Travelers Rest, SC: 800-476-4103 • Simi Valley, CA: 800-423-0150 • Fax: 864-834-3518 • www.tsbrass.com



This Space for Architect/Engineer Approval

Job Name _____ Date _____

Model Specified _____ Quantity _____

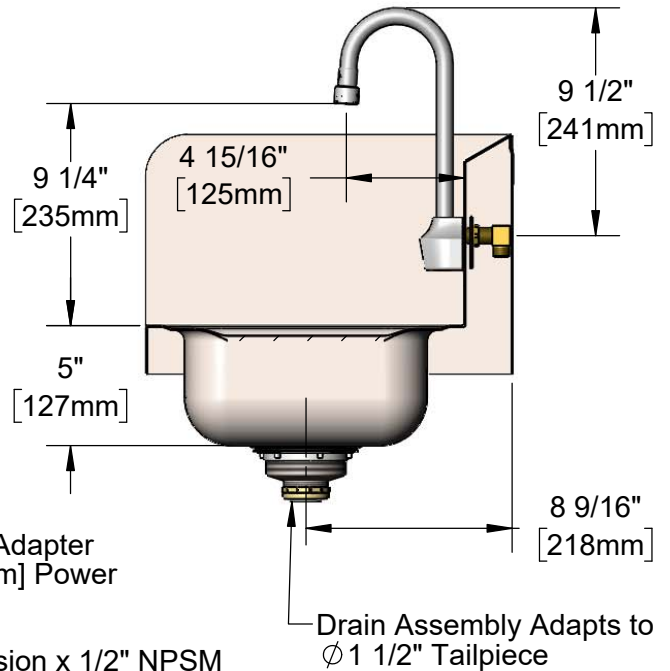
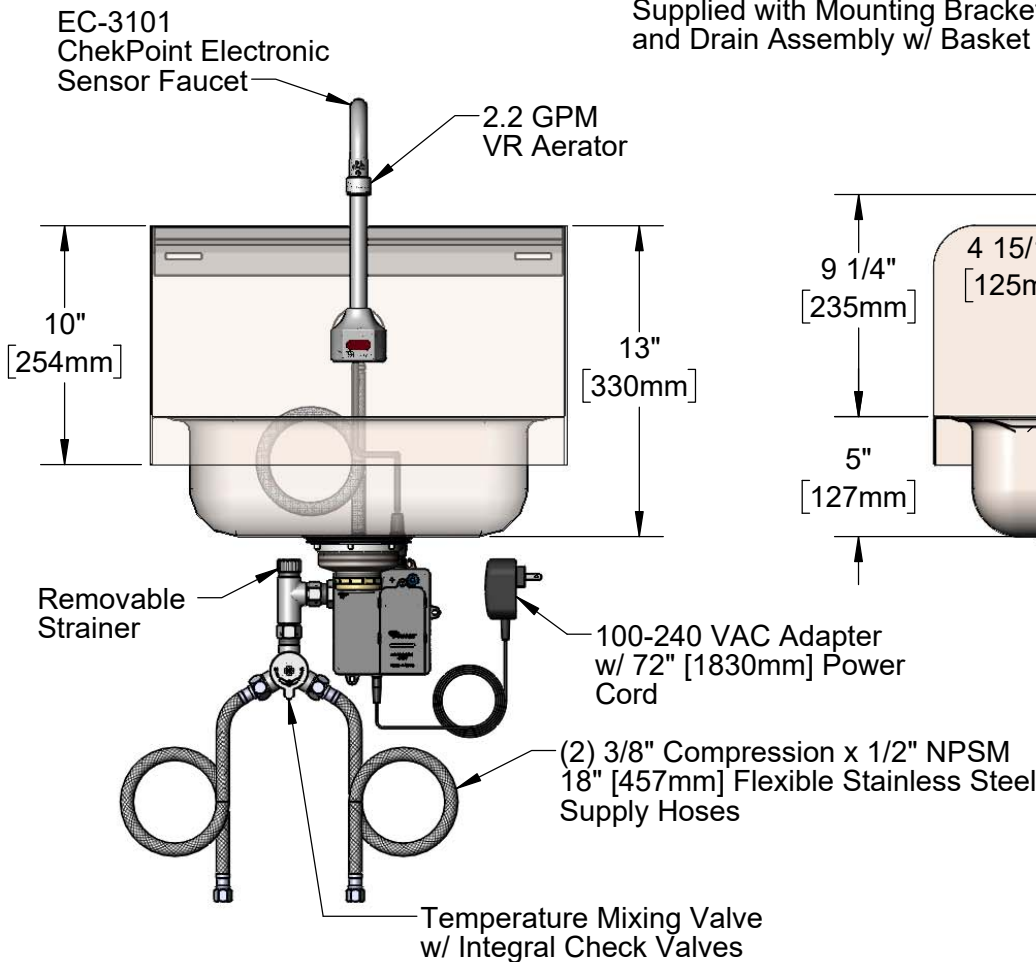
Customer/Wholesaler _____

Contractor _____

Architect/Engineer _____



CH-W1715-S
NSF Approved Stainless Steel Sink with Side Shields & 3 1/2" Drain Hole. Supplied with Mounting Bracket and Drain Assembly w/ Basket Strainer



Product Specifications:

Hand Wash Sink / Elec. Sensor Faucet, Stainless Steel Sink / Backsplash, Side Splash Shields, 3 1/2" Drain Assembly, EC-3101 ChekPoint Electronic Sensor Faucet, Rigid GN w/ VR Aerator, AC/DC Control Module, Temp. Control Mixing Valve, 18" Flexible Supply Hoses

Product Compliance:

ASME A112.18.1 / CSA B125.1
ASME A112.19.3 / CSA B45.4
NSF 61 - Section 9
NSF 372 (Low Lead Content)
UL 1951
ANSI A117.1 (ADA)
NSF 2 (Sink)

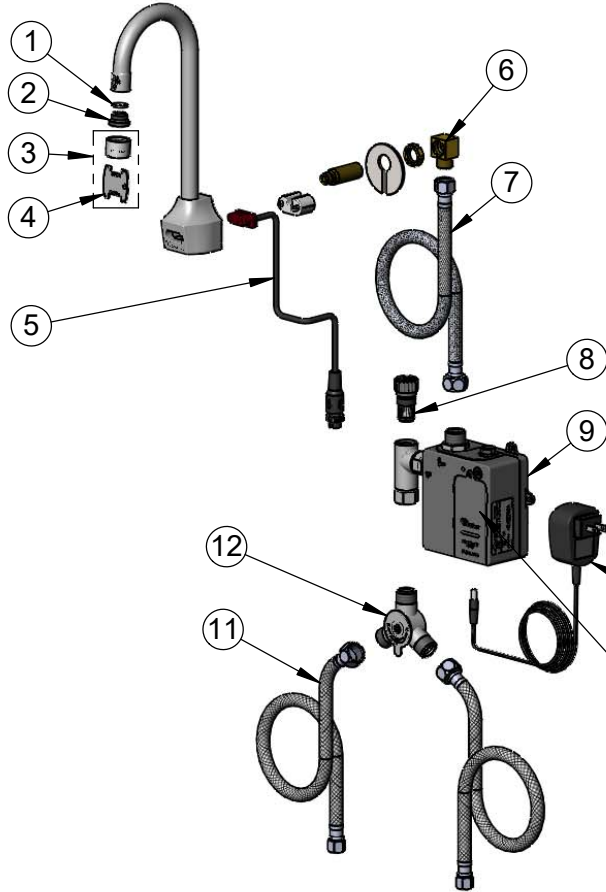


T&S BRASS AND BRONZE WORKS, INC.
 2 Saddleback Cove / P.O. Box 1088
 Travelers Rest, SC 29690

Model No.
CH-3101-S

Item No.

Travelers Rest, SC: 800-476-4103 • Simi Valley, CA: 800-423-0150 • Fax: 864-834-3518 • www.tsbrass.com



ITEM NO.	SALES NO.	DESCRIPTION
1	006575-45	O-Ring
2	044A	3/8" to Aerator Adapter
3	B-0199-06	Aerator, Vandal Resistant
4	015425-45	Vandal Resistant Key
* 5	019174-45	Sensor Cable Assembly
6	015345-20	Low Profile Elbow, 3/8 NPSM
7	016325-45	Flex Connector, 3/8 NPSM x 1/2 NPSM
8	EC-FILTER	Replacement Filter
* 9	019944-45	ChekPoint Control Module w/ Filter Tee
* 10	5EF-0002C	AC Adapter - US Plug
11	5EF-0005	Supply Hose, 9/16-24 Female x 1/2" NPSM
12	5EF-0006	Mechanical Mixing Valve
13	CH-W1715-S	17" x 15" Sink w/ Side Splash Shields & Drain Assembly

* For Versions Prior to 2021, Consult with T&S Customer Service

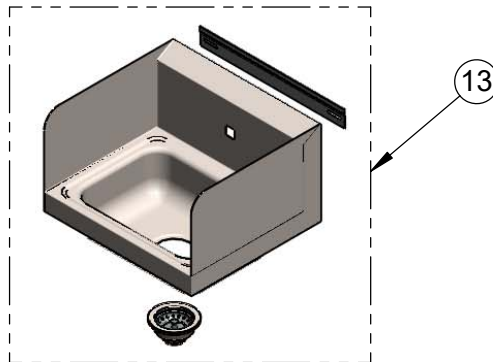
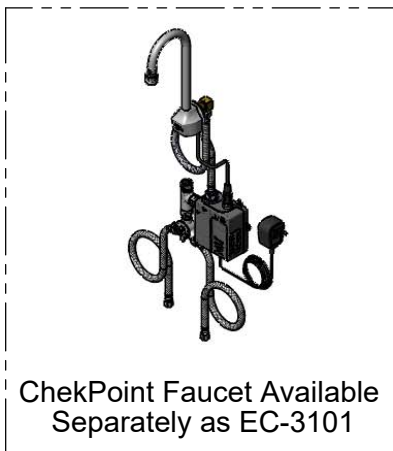
Flow Control Switches are Located Behind Battery Compartment Cover.

* Switches are Set to DEFAULT Position:

- Auto Time Out = 15 Seconds
- Shut Off Delay = 1 Second
- Auto Flush = OFF
- Metering Mode = OFF

* Available Water Flow Control Selections:

- Auto Time Out: 15 sec, 30 sec, 45 sec, 60 sec, 3 min, 20 min
- Shut Off Delay: 1 sec, 10 sec, 15 sec, 30 sec
- Auto Flush (30 Seconds After Every 12 Inactive Hours): ON or OFF
- Metering Mode: ON or OFF



Product Specifications:

Hand Wash Sink / Elec. Sensor Faucet, Stainless Steel Sink / Backsplash, Side Splash Shields, 3 1/2" Drain Assembly, EC-3101 ChekPoint Electronic Sensor Faucet, Rigid GN w/ VR Aerator, AC/DC Control Module, Temp. Control Mixing Valve, 18" Flexible Supply Hoses

Product Compliance:

ASME A112.18.1 / CSA B125.1
 ASME A112.19.3 / CSA B45.4
 NSF 61 - Section 9
 NSF 372 (Low Lead Content)
 UL 1951
 ANSI A117.1 (ADA)
 NSF 2 (Sink)