



T&S BRASS AND BRONZE WORKS, INC.

2 Saddleback Cove / P.O. Box 1088
Travelers Rest, SC 29690

Model No.

BP-2995

Item No.

Travelers Rest, SC: 800-476-4103 • Simi Valley, CA: 800-423-0150 • Fax: 864-834-3518 • www.tsbrass.com

LAKECREST™

BY T&S



ADA Compliant

This Space for Architect/Engineer Approval

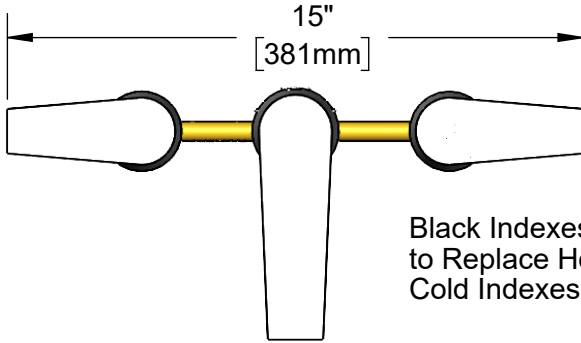
Job Name _____ Date _____

Model Specified _____ Quantity _____

Customer/Wholesaler _____

Contractor _____

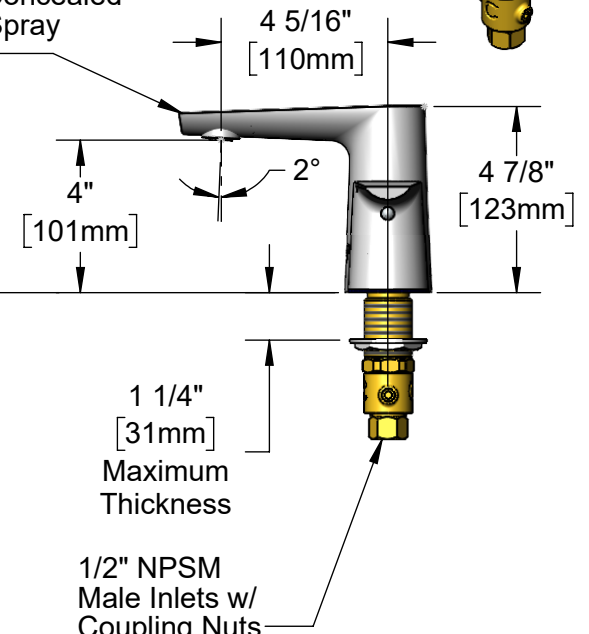
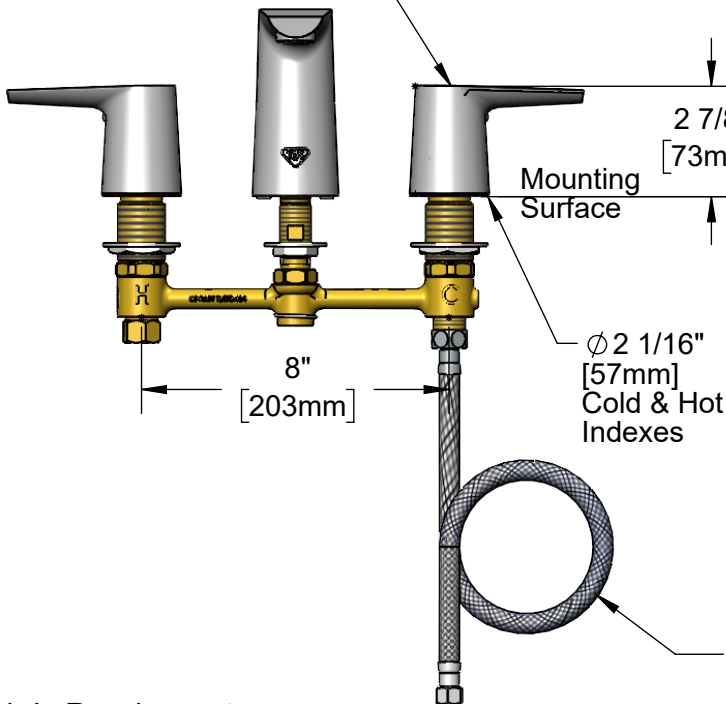
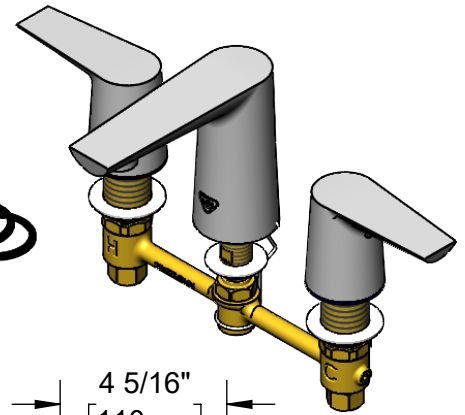
Architect/Engineer _____



Black Indexes Included to Replace Hot and Cold Indexes if Desired

Quarter-Turn Cerama Cartridges w/ Check Valves & Widespread Lever Handles

Lavatory Spout w/ B-0199-M21-V05 VR 0.5 GPM Concealed Non-Aerated Spray Device



24" Flexible Stainless Steel Braided Supply Hose w/ 3/8" Compression Inlet

Rough-In Requirement:
Center Shank: ϕ 1" [25mm] Mounting Hole
Hot/Cold Side: ϕ 1 1/2" [38mm] Mounting Holes

Product Specifications:

LakeCrest 8" EasyInstall Concealed Widespread Lavatory Faucet, Widespread Lever Handles, Quarter-Turn Cerama Cartridges w/ Check Valves, Lavatory Spout w/ VR 0.5 GPM Concealed Non-Aerated Spray Device & 1/2" NPSM Male Inlets w/ 24" Stainless Steel Braided Supply Hoses

Product Compliance:

ASME A112.18.1 / CSA B125.1
NSF 61 - Section 9
NSF 372 (Low Lead Content)
ANSI A117.1 (ADA)



T&S BRASS AND BRONZE WORKS, INC.

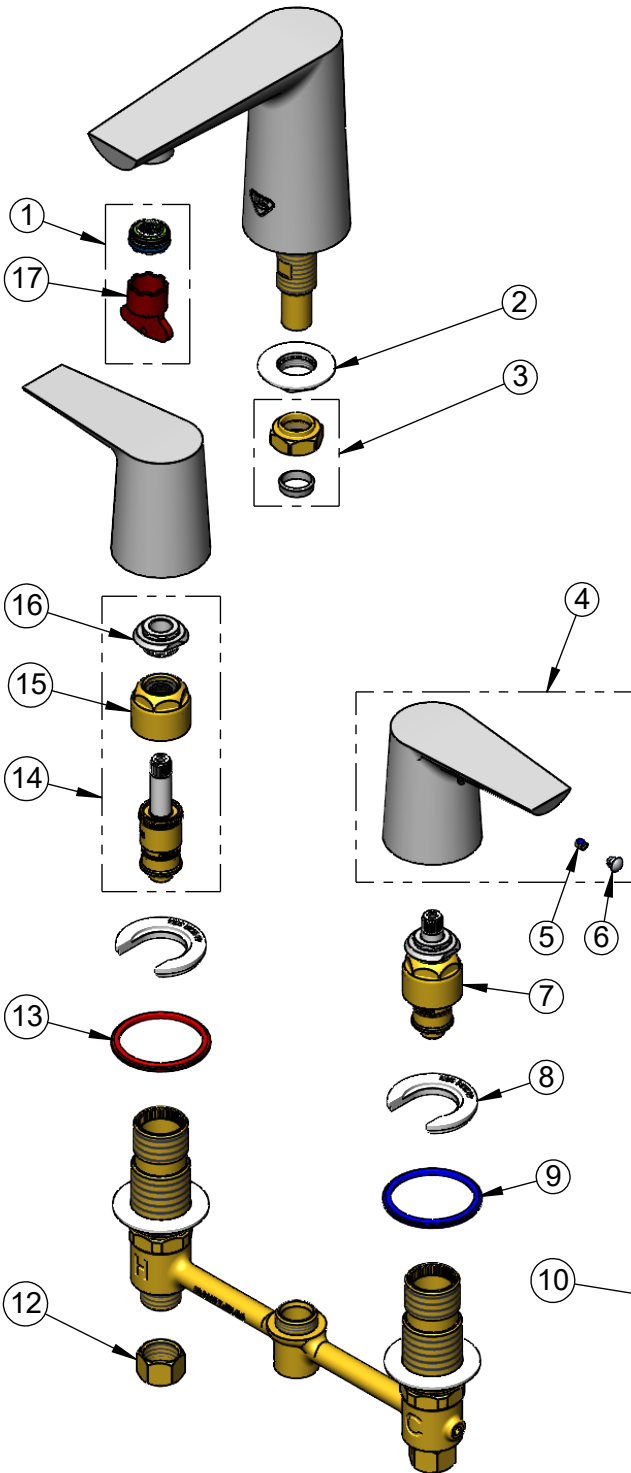
2 Saddleback Cove / P.O. Box 1088
Travelers Rest, SC 29690

Model No.

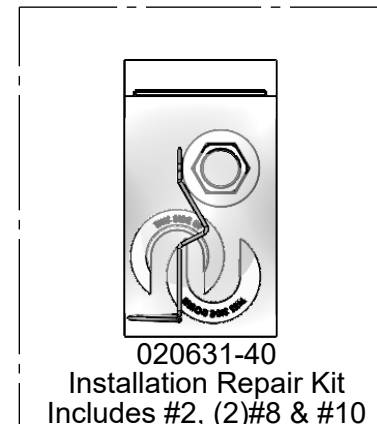
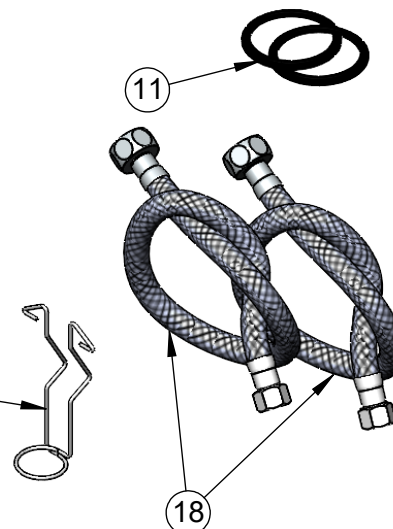
BP-2995

Item No.

Travelers Rest, SC: 800-476-4103 • Simi Valley, CA: 800-423-0150 • Fax: 864-834-3518 • www.tsbrass.com



ITEM NO.	SALES NO.	DESCRIPTION
1	B-0199-M21-V05	0.5 GPM Concealed Spray Device, M21.5 x 1
2	016742-45	Center Flange Nut
3	016745-45	Compression Nut & Fitting
4	020521-40	Widespread Lever Handle Kit
5	016675-45	Set Screw
6	020570-45	Chrome Blank Index
7	016768-25NS	EasyInstall CWS Quarter-Turn Cerama Cartridge w/ Check Valve, LTC
8	020526-45	Sidebody C-Washer
9	020523-45	Index Ring Blue
10	016777-45	CWS Hanger
11	020524-45	Index Ring Black
12	000958-20	Coupling Nut
13	020522-45	Index Ring Red
14	016767-25NS	EasyInstall CWS Quarter-Turn Cerama Cartridge w/ Check Valve, RTC
15	016743-20	CWS Eterna Bonnet
16	009002-40NS	Packing Assembly (New Style)
17	020674-45	M21.5 x 1 Red Cache Key
18	017420-45	1/2" NPSM x 3/8" Compression Fitting, Flexible Supply Hose, 24"



Product Specifications:

LakeCrest 8" EasyInstall Concealed Widespread Lavatory Faucet, Widespread Lever Handles, Quarter-Turn Cerama Cartridges w/ Check Valves, Lavatory Spout w/ VR 0.5 GPM Concealed Non-Aerated Spray Device & 1/2" NPSM Male Inlets w/ 24" Stainless Steel Braided Supply Hoses

Product Compliance:

ASME A112.18.1 / CSA B125.1
NSF 61 - Section 9
NSF 372 (Low Lead Content)
ANSI A117.1 (ADA)