



T&S BRASS AND BRONZE WORKS, INC.

2 Saddleback Cove / P.O. Box 1088
Travelers Rest, SC 29690

Model No.

BP-0723

Item No.

Travelers Rest, SC: 800-476-4103 • Simi Valley, CA: 800-423-0150 • Fax: 864-834-3518 • www.tsbrass.com

LAKECREST™

BY T&S



ADA Compliant

This Space for Architect/Engineer Approval

Job Name _____ Date _____

Model Specified _____ Quantity _____

Customer/Wholesaler _____

Contractor _____

Architect/Engineer _____

Ø 2 1/4"
[57mm]
Base



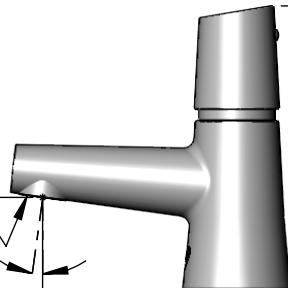
Push Button
Metering Cartridge



B-0199-M21-V05
VR 0.5 GPM
Concealed Non-
Aerated Spray
Device

Mounting
Surface

8°



5 7/8"
[150mm]

2 3/8"
[60mm]

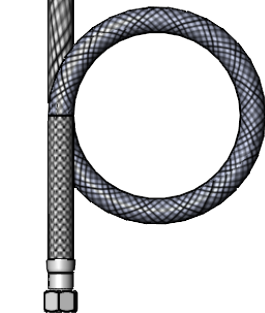
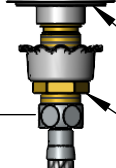
Rubber Deck
Gasket

1 15/16"
[48mm]

1/2" NPSM
Male Inlet

4 1/16"
[102mm]

7/8"
[23mm]
Maximum
Thickness



24" Flexible Stainless
Steel Braided
Supply Hose w/ 3/8"
Compression Inlet

Rough-In Requirement:
Ø 1 1/8" [29mm] Mounting Hole

Product Specifications:

LakeCrest Single Hole Single Temperature Deck Mount Basin Faucet, Deck Gasket, Push Button Metering Cartridge, VR 0.5 GPM Concealed Non-Aerated Spray Device & 1/2" NPSM Male Inlet w/ 24" Flexible Stainless Steel Braided Supply Hose w/ 3/8" Compression Inlet

Product Compliance:

ASME A112.18.1 / CSA B125.1
NSF 61 - Section 9
NSF 372 (Low Lead Content)
ANSI A117.1 (ADA)



T&S BRASS AND BRONZE WORKS, INC.

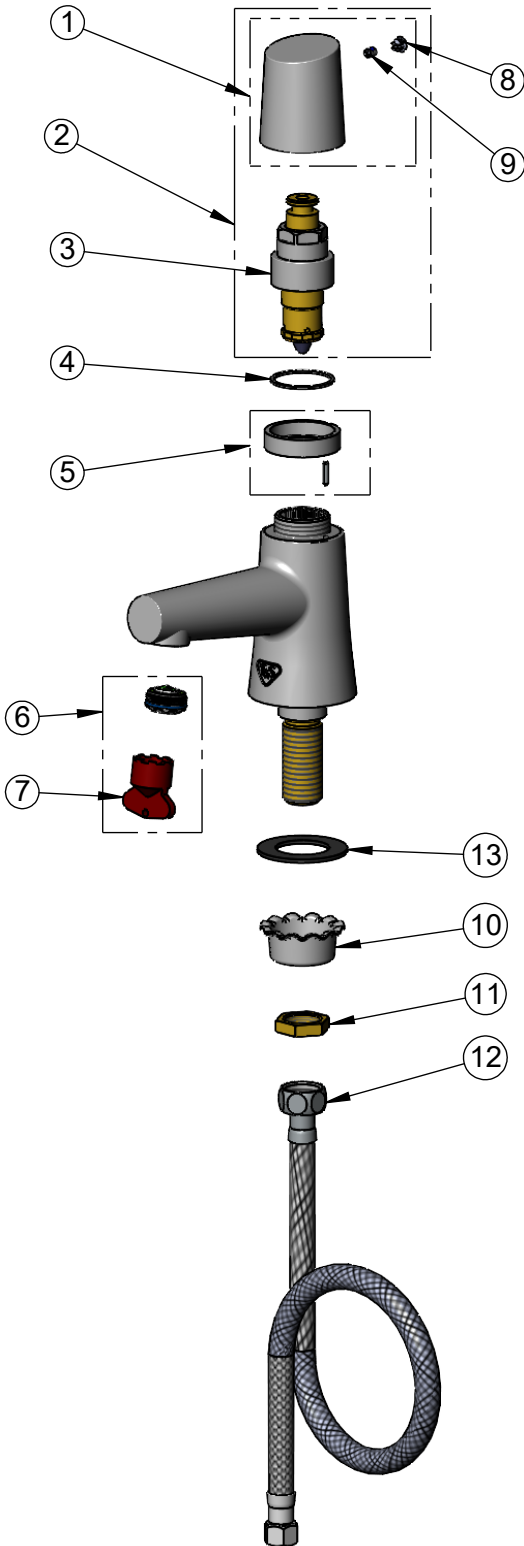
2 Saddleback Cove / P.O. Box 1088
Travelers Rest, SC 29690

Model No.

BP-0723

Item No.

Travelers Rest, SC: 800-476-4103 • Simi Valley, CA: 800-423-0150 • Fax: 864-834-3518 • www.tsbrass.com



ITEM NO.	SALES NO.	DESCRIPTION
1	020817-40	Blank Push Button Cap w/ Screw & Index
2	020820-40	Metering Cartridge w/ Push Button Cap
3	020506-40	Metering Cartridge
4	020510-45	Metering Cartridge Bushing
5	020509-45	Metering Thread Shield & Pin
6	B-0199-M21-V05	0.5 GPM Concealed Spray Device, M21.5 x 1
7	020674-45	M21.5 x 1 Red Cache Key
8	020570-45	Chrome Blank Index
9	016675-45	Set Screw
10	001000-45	Rosette Washer
11	002954-45	Shank Lock Nut
12	017420-45	1/2" NPSM x 3/8" Compression, Flexible Supply Hose, 24" Long
13	014612-45	Deck Seal

Product Specifications:

LakeCrest Single Hole Single Temperature Deck Mount Basin Faucet, Deck Gasket, Push Button Metering Cartridge, VR 0.5 GPM Concealed Non-Aerated Spray Device & 1/2" NPSM Male Inlet w/ 24" Flexible Stainless Steel Braided Supply Hose w/ 3/8" Compression Inlet

Product Compliance:

ASME A112.18.1 / CSA B125.1
NSF 61 - Section 9
NSF 372 (Low Lead Content)
ANSI A117.1 (ADA)