



T&S BRASS AND BRONZE WORKS, INC.
 2 Saddleback Cove / P.O. Box 1088
 Travelers Rest, SC 29690

Model No.
BP-0723-8DP

Item No.

Travelers Rest, SC: 800-476-4103 • Simi Valley, CA: 800-423-0150 • Fax: 864-834-3518 • www.tsbrass.com

LAKECREST™
 BY T&S



ADA Compliant

This Space for Architect/Engineer Approval

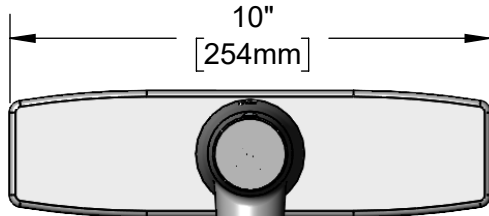
Job Name _____ Date _____

Model Specified _____ Quantity _____

Customer/Wholesaler _____

Contractor _____

Architect/Engineer _____



Push Button
 Metering Cartridge

B-0199-M21-V05
 VR 0.5 GPM
 Concealed Non-
 Aerated Spray
 Device

Polished Chrome
 Plated Deck Plate
 w/ Deck Gasket

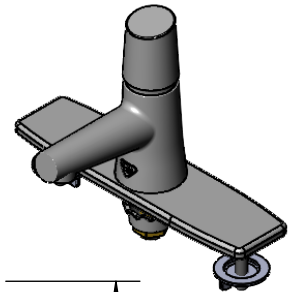
Mounting Surface

2 1/4"
 [57mm]

8"
 [203mm]

1/2" NPSM
 Male Inlet

24" Flexible
 Stainless Steel
 Braided Supply
 Hose w/ 3/8"
 Compression Inlet



6 1/4"
 [159mm]

8°

4 1/16"
 [102mm]

3/4"
 [19mm]
 Maximum
 Thickness

Rough-In Requirement:
 Ø 1" [25mm] Center Hole
 (2) Ø 1 1/8" [29mm] Mounting Hole

Product Specifications:

LakeCrest Single Hole Single Temperature Deck Mount Basin Faucet,
 Push Button Metering Cartridge, VR 0.5 GPM Concealed Non-Aerated
 Spray Device, 8" c/c Polished Chrome Plated VR Deck Plate & 1/2"
 NPSM Male Inlet w/ 24" Flexible Stainless Steel Braided Supply Hose w/
 3/8" Compression Inlet

Product Compliance:

ASME A112.18.1 / CSA B125.1
 NSF 61 - Section 9
 NSF 372 (Low Lead Content)
 ANSI A117.1 (ADA)



T&S BRASS AND BRONZE WORKS, INC.

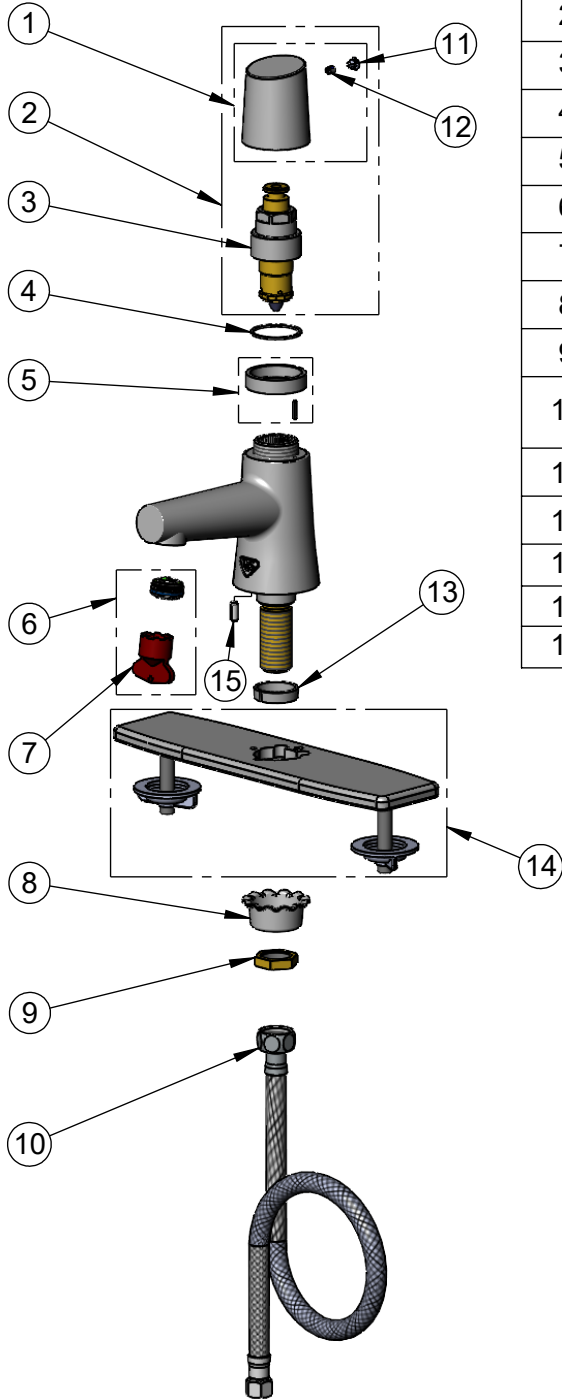
2 Saddleback Cove / P.O. Box 1088
Travelers Rest, SC 29690

Model No.

BP-0723-8DP

Item No.

Travelers Rest, SC: 800-476-4103 • Simi Valley, CA: 800-423-0150 • Fax: 864-834-3518 • www.tsbrass.com



ITEM NO.	SALES NO.	DESCRIPTION
1	020817-40	Blank Push Button Cap w/ Screw & Index
2	020820-40	Metering Cartridge w/ Push Button Cap
3	020506-40	Metering Cartridge
4	020510-45	Metering Cartridge Bushing
5	020509-45	Metering Thread Shield
6	B-0199-M21-V05	0.5 GPM Concealed Spray Device, M21.5 x 1
7	020674-45	M21.5 x 1 Red Cache Key
8	001000-45	Rosette Washer
9	002954-45	Shank Lock Nut
10	017420-45	1/2" NPSM x 3/8" Compression, Flexible Supply Hose, 24" Long
11	020570-45	Chrome Blank Index
12	016675-45	Set Screw
13	020231-20	Deckplate Spacer
14	013434-40	Stud, 3/8-16
15	013825-45	Spring Pin, 3/16" Diameter x 1/2" Long

Product Specifications:

LakeCrest Single Hole Single Temperature Deck Mount Basin Faucet, Push Button Metering Cartridge, VR 0.5 GPM Concealed Non-Aerated Spray Device, 8" c/c Polished Chrome Plated VR Deck Plate & 1/2" NPSM Male Inlet w/ 24" Flexible Stainless Steel Braided Supply Hose w/ 3/8" Compression Inlet

Product Compliance:

ASME A112.18.1 / CSA B125.1
NSF 61 - Section 9
NSF 372 (Low Lead Content)
ANSI A117.1 (ADA)