



**T&S BRASS AND BRONZE WORKS, INC.**  
 2 Saddleback Cove / P.O. Box 1088  
 Travelers Rest, SC 29690

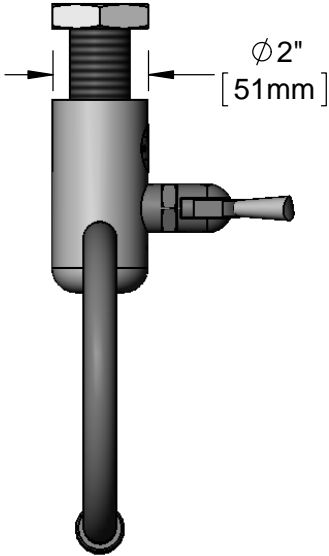
Model No.  
**BL-9520-01**

Item No.

Travelers Rest, SC: 800-476-4103 • Simi Valley, CA: 800-423-0150 • Fax: 864-834-3518 • www.tsbrass.com



**ADA Compliant**



This Space for Architect/Engineer Approval

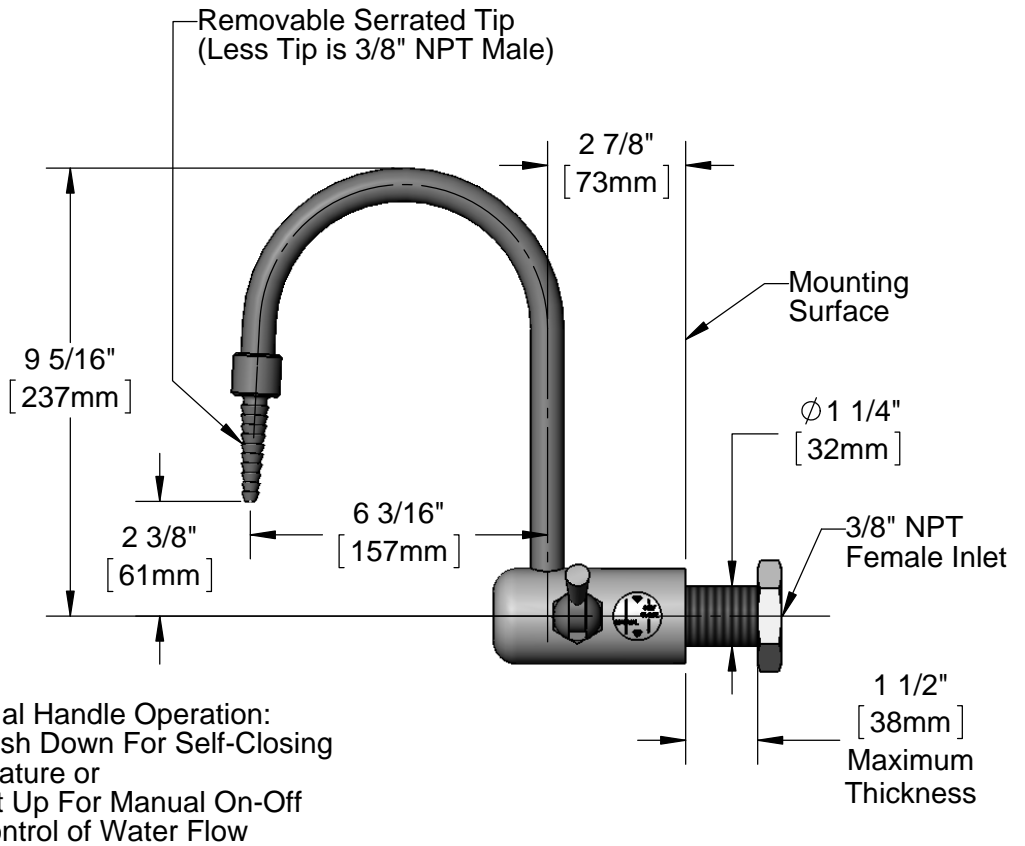
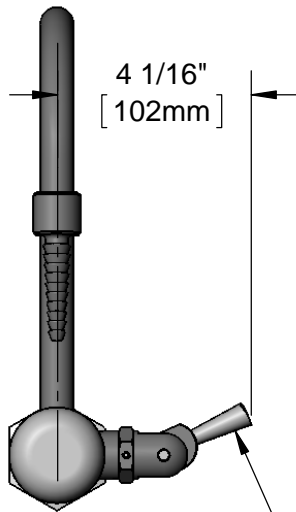
Job Name \_\_\_\_\_ Date \_\_\_\_\_

Model Specified \_\_\_\_\_ Quantity \_\_\_\_\_

Customer/Wholesaler \_\_\_\_\_

Contractor \_\_\_\_\_

Architect/Engineer \_\_\_\_\_



Dual Handle Operation:  
 Push Down For Self-Closing  
 Feature or  
 Lift Up For Manual On-Off  
 Control of Water Flow

Rough-In Requirement:  
 $\phi$  1 3/8" Mounting Hole

Product Specifications:  
 Gray PVC Single Panel Faucet w/ Rigid Gooseneck, Serrated Tip  
 Outlet, Right Side Handle w/ Manual & Self-Closing Handle Operation  
 & 3/8" NPT Female Inlet for Distilled or Deionized Water Applications

Drawn <b>DMH</b>	Checked <b>JRM</b>	Approved <b>JHB</b>
Scale: <b>1:4</b>		Date: <b>11/26/13</b>



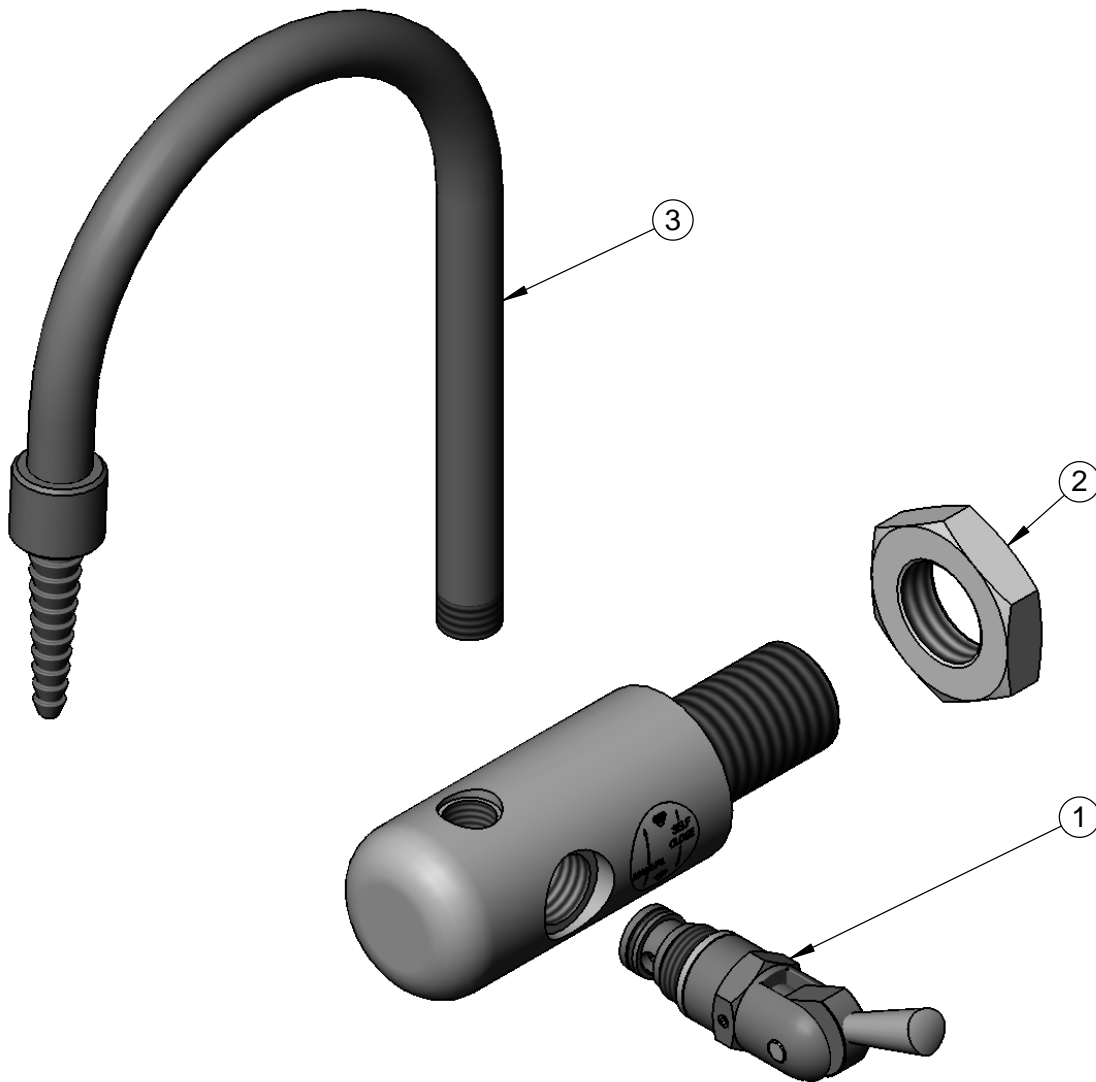
**T&S BRASS AND BRONZE WORKS, INC.**  
 2 Saddleback Cove / P.O. Box 1088  
 Travelers Rest, SC 29690

Model No.  
**BL-9520-01**

Item No.

Travelers Rest, SC: 800-476-4103 • Simi Valley, CA: 800-423-0150 • Fax: 864-834-3518 • www.tsbrass.com

ITEM NO.	SALES NO.	DESCRIPTION
1	137A	Bonnet Assembly, SC/Man., PVC
2	000512-20	Nut, PVC Lock
3	BL-9541-02	PVC Gooseneck & Serrated Tip Asm



Product Specifications:  
 Gray PVC Single Panel Faucet w/ Rigid Gooseneck, Serrated Tip  
 Outlet, Right Side Handle w/ Manual & Self-Closing Handle Operation  
 & 3/8" NPT Female Inlet for Distilled or Deionized Water Applications

Drawn <b>DMH</b>	Checked <b>JRM</b>	Approved <b>JHB</b>
Scale: <b>NTS</b>		Date: <b>11/26/13</b>