

T&S BRASS AND BRONZE WORKS, INC.

2 Saddleback Cove / P.O. Box 1088
Travelers Rest, SC 29690

Model No.

BL-9505-02

Item No.

Travelers Rest, SC: 800-476-4103 • Simi Valley, CA: 800-423-0150 • Fax: 864-834-3518 • www.tsbrass.com

This Space for Architect/Engineer Approval

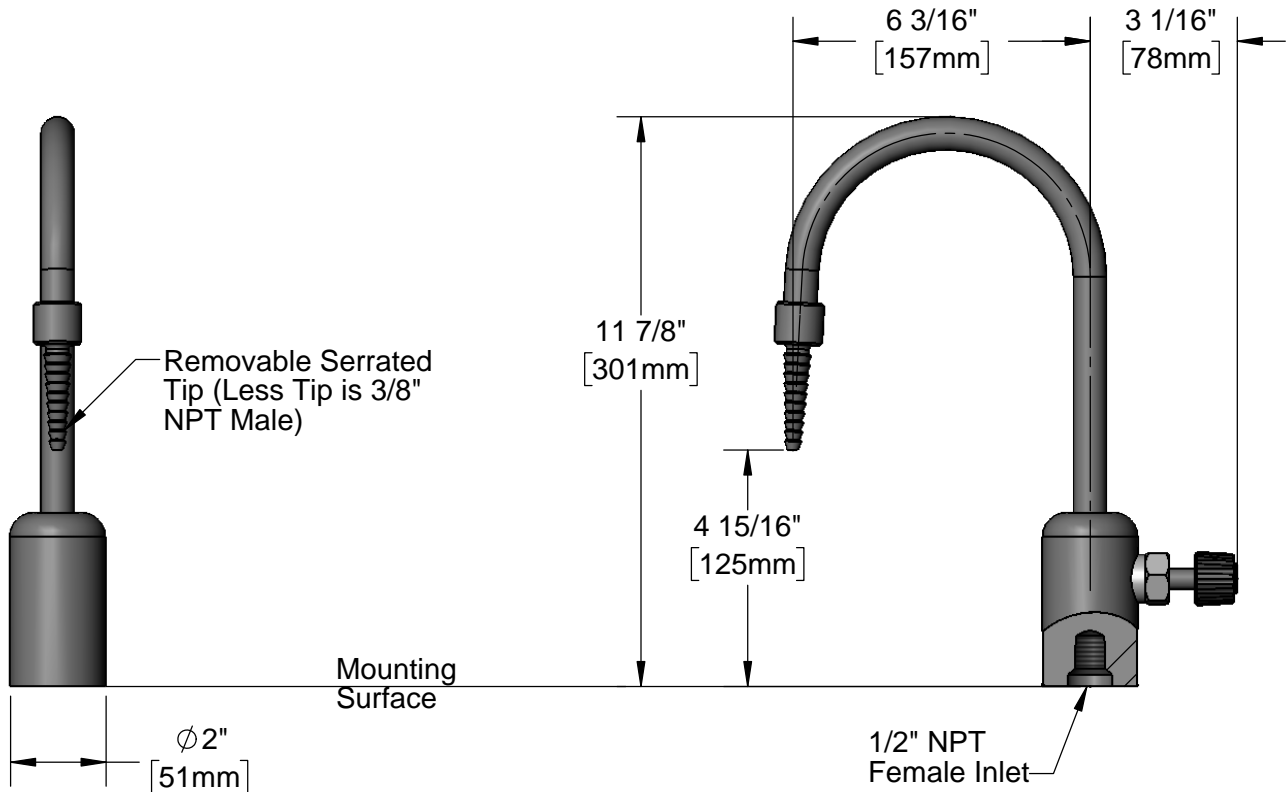
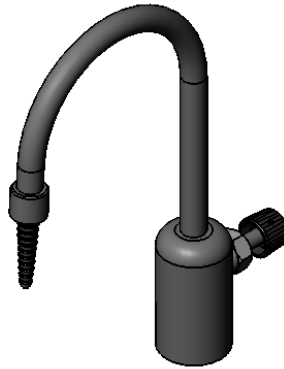
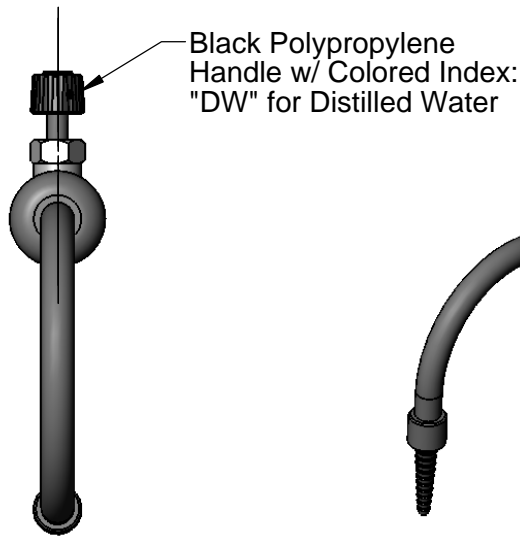
Job Name _____ Date _____

Model Specified _____ Quantity _____

Customer/Wholesaler _____

Contractor _____

Architect/Engineer _____



Product Specifications:

Single Hole Deck Mount Grey PVC Faucet w/ Rigid Gooseneck, Serrated Tip Outlet & 1/2" NPT Female Inlet for Distilled or Deionized Water Applications

Product Compliance:

ASME A112.18.1 / CSA B125.1
NSF 61 Exempt (Non-Potable)



T&S BRASS AND BRONZE WORKS, INC.
 2 Saddleback Cove / P.O. Box 1088
 Travelers Rest, SC 29690

Model No.
BL-9505-02

Item No.

Travelers Rest, SC: 800-476-4103 • Simi Valley, CA: 800-423-0150 • Fax: 864-834-3518 • www.tsbrass.com

ITEM NO.	SALES NO.	DESCRIPTION
1	209L-DW	White DW Snap-In Index
2	001492-20	Knob, PVC
3	007549-40	PVC Faucet Bonnet
4	000938-45	Set Screw (1)
5	BL9541-02	PVC Faucet, Rigid Gooseneck w/ Serrated Tip



Product Specifications:

Single Hole Deck Mount Grey PVC Faucet w/ Rigid Gooseneck, Serrated Tip Outlet & 1/2" NPT Female Inlet for Distilled or Deionized Water Applications

Product Compliance:

ASME A112.18.1 / CSA B125.1
 NSF 61 Exempt (Non-Potable)