



T&S BRASS AND BRONZE WORKS, INC.
 2 Saddleback Cove / P.O. Box 1088
 Travelers Rest, SC 29690

Model No.
BL-6050 SERIES

Item No.

Travelers Rest, SC: 800-476-4103 • Simi Valley, CA: 800-423-0150 • Fax: 864-834-3518 • www.tsbrass.com

BL-6050 SERIES	
BL-6050-01	Multi-Water Fixture w/1 Serrated Stop
BL-6050-02	Multi-Water Fixture w/2 Serrated Stops @ 180°



This Space for Architect/Engineer Approval

Job Name _____ Date _____

Model Specified _____ Quantity _____

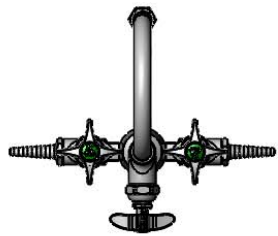
Customer/Wholesaler _____

Contractor _____

Architect/Engineer _____

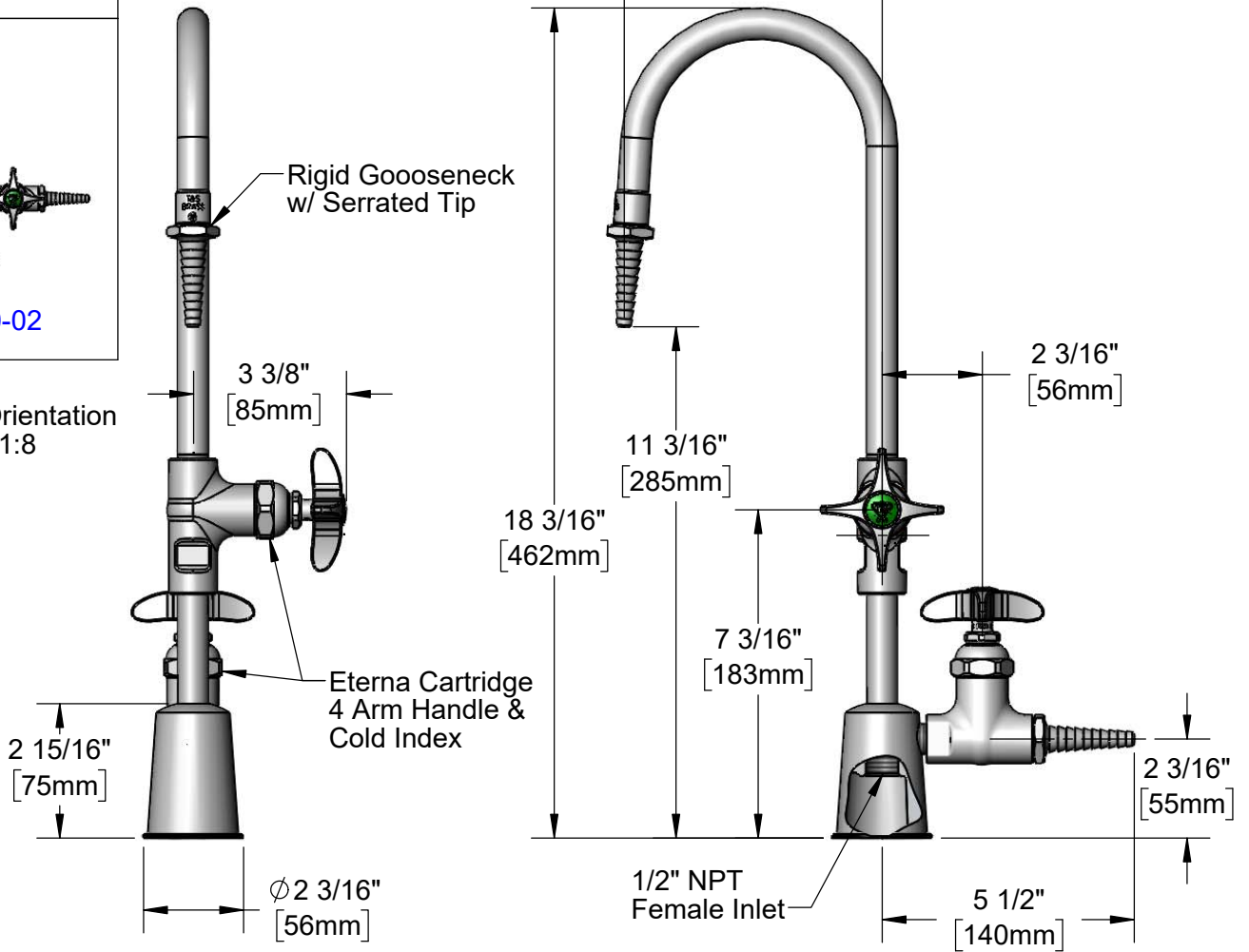


BL-6050-01



BL-6050-02

Gooseneck Orientation Scale: 1:8



Product Specifications:
 Multi-Water Fixture w/ Rigid Gooseneck, Water Stop(s) & Serrated Tips

Product Compliance:
 ASME A112.18.1 / CSA B125.1
 NSF 61 - Section 9
 NSF 372 (Low Lead Content)
 ANSI A117.1 (ADA)



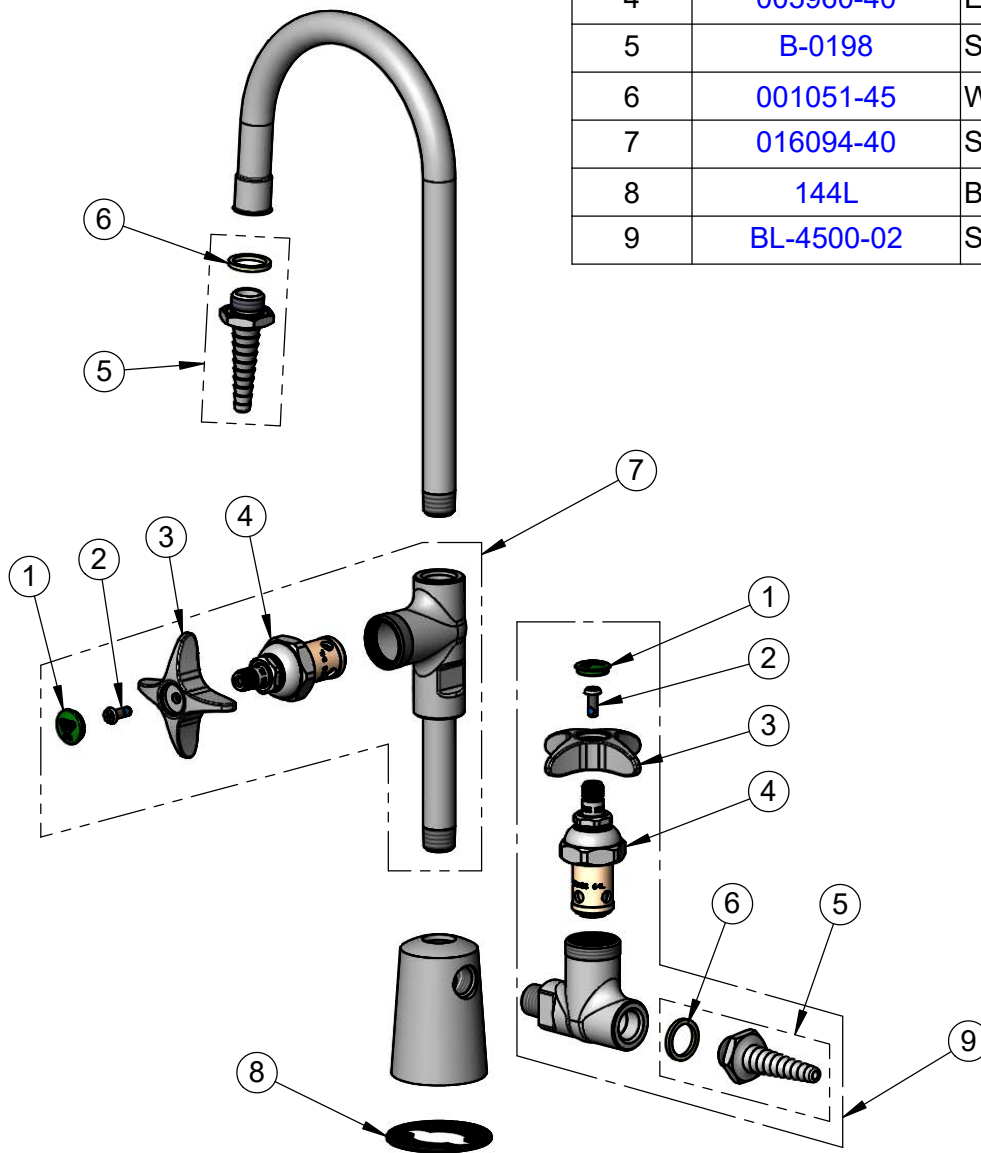
T&S BRASS AND BRONZE WORKS, INC.
 2 Saddleback Cove / P.O. Box 1088
 Travelers Rest, SC 29690

Model No.
BL-6050 SERIES

Item No.

Travelers Rest, SC: 800-476-4103 • Simi Valley, CA: 800-423-0150 • Fax: 864-834-3518 • www.tsbrass.com

ITEM NO.	SALES NO.	DESCRIPTION
1	001191-45NS	Green "CW" Lab Button Index
2	000925-45	Lab Handle Screw
3	002521-45NS	4-Arm Handle (New Style)
4	005960-40	Eterna Cartridge, RTC
5	B-0198	Serrated Tip Outlet
6	001051-45	Washer
7	016094-40	Straight Stop w/ 3/8" NPT Nipple
8	144L	Black Plastic Gasket
9	BL-4500-02	Straight Stop, Water



Product Specifications:
 Multi-Water Fixture w/ Rigid Gooseneck, Water Stop(s) & Serrated Tips

Product Compliance:
 ASME A112.18.1 / CSA B125.1
 NSF 61 - Section 9
 NSF 372 (Low Lead Content)
 ANSI A117.1 (ADA)