



T&S BRASS AND BRONZE WORKS, INC.

2 Saddleback Cove / P.O. Box 1088
Travelers Rest, SC 29690

Model No.

BL-6050-01

Item No.

Travelers Rest, SC: 800-476-4103 • Simi Valley, CA: 800-423-0150 • Fax: 864-834-3518 • www.tsbrass.com

This Space for Architect/Engineer Approval

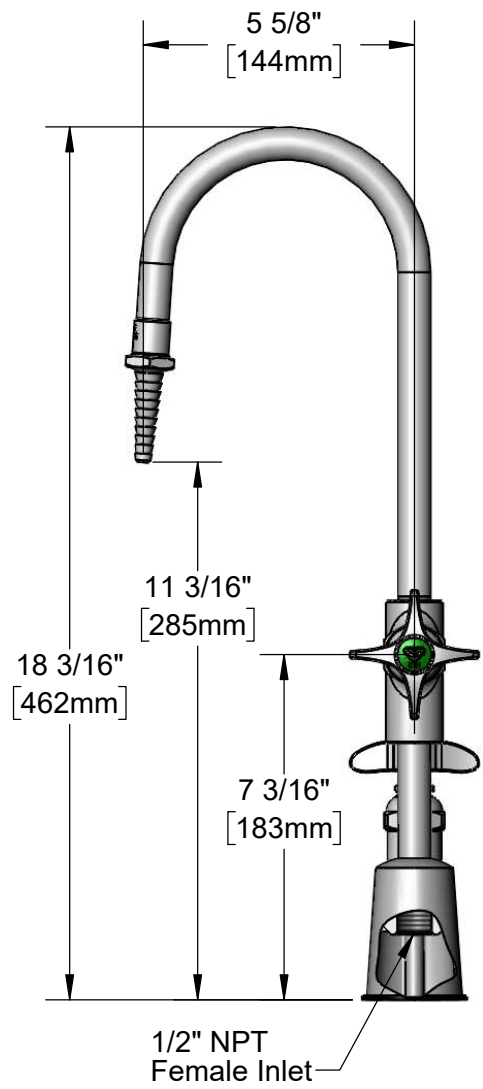
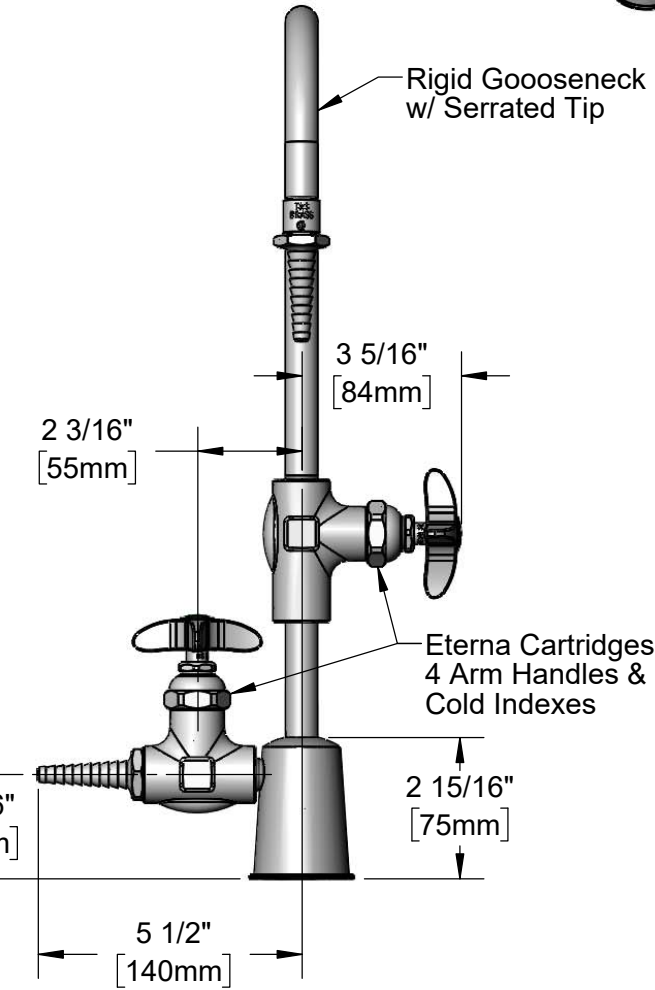
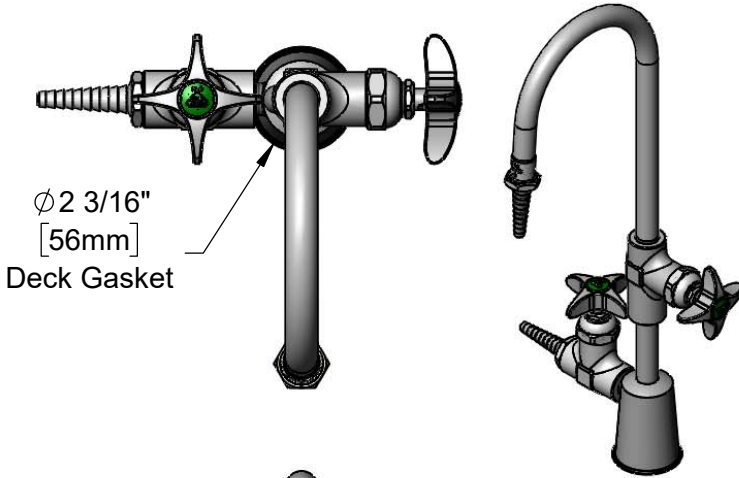
Job Name _____ Date _____

Model Specified _____ Quantity _____

Customer/Wholesaler _____

Contractor _____

Architect/Engineer _____



Product Specifications:
Multi-Water Fixture w/ Rigid Gooseneck, Water Stop & Serrated Tips

Product Compliance:
ASME A112.18.1 / CSA B125.1
NSF 61 - Section 9
NSF 372 (Low Lead Content)
ANSI A117.1 (ADA)



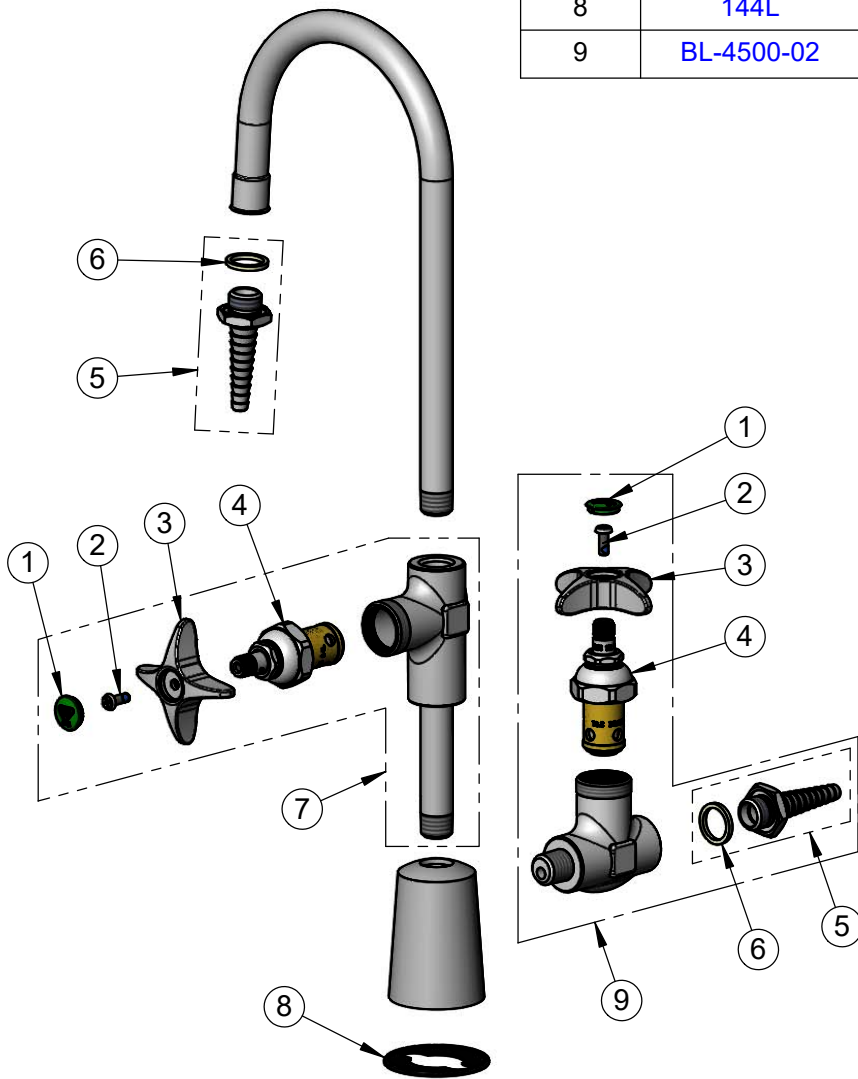
T&S BRASS AND BRONZE WORKS, INC.
 2 Saddleback Cove / P.O. Box 1088
 Travelers Rest, SC 29690

Model No.
BL-6050-01

Item No.

Travelers Rest, SC: 800-476-4103 • Simi Valley, CA: 800-423-0150 • Fax: 864-834-3518 • www.tsbrass.com

ITEM NO.	SALES NO.	DESCRIPTION
1	001191-45NS	Green "CW" Lab Button Index
2	000925-45	Lab Handle Screw
3	002521-45NS	4-Arm Handle (New Style)
4	005960-40	Eterna Spindle Assembly, Hot (Right Hand) RTC
5	B-0198	Serrated Tip Outlet
6	001051-45	Washer
7	016094-40	Straight Stop w/ 3/8" NPT Nipple
8	144L	Black Plastic Gasket
9	BL-4500-02	Straight Stop, Water



Product Specifications:
 Multi-Water Fixture w/ Rigid Gooseneck, Water Stop & Serrated Tips

Product Compliance:
 ASME A112.18.1 / CSA B125.1
 NSF 61 - Section 9
 NSF 372 (Low Lead Content)
 ANSI A117.1 (ADA)