



T&S BRASS AND BRONZE WORKS, INC.

2 Saddleback Cove / P.O. Box 1088
Travelers Rest, SC 29690

Model No.

BL-6000-02

Item No.

Travelers Rest, SC: 800-476-4103 • Simi Valley, CA: 800-423-0150 • Fax: 864-834-3518 • www.tsbrass.com

This Space for Architect/Engineer Approval

Job Name _____ Date _____

Model Specified _____ Quantity _____

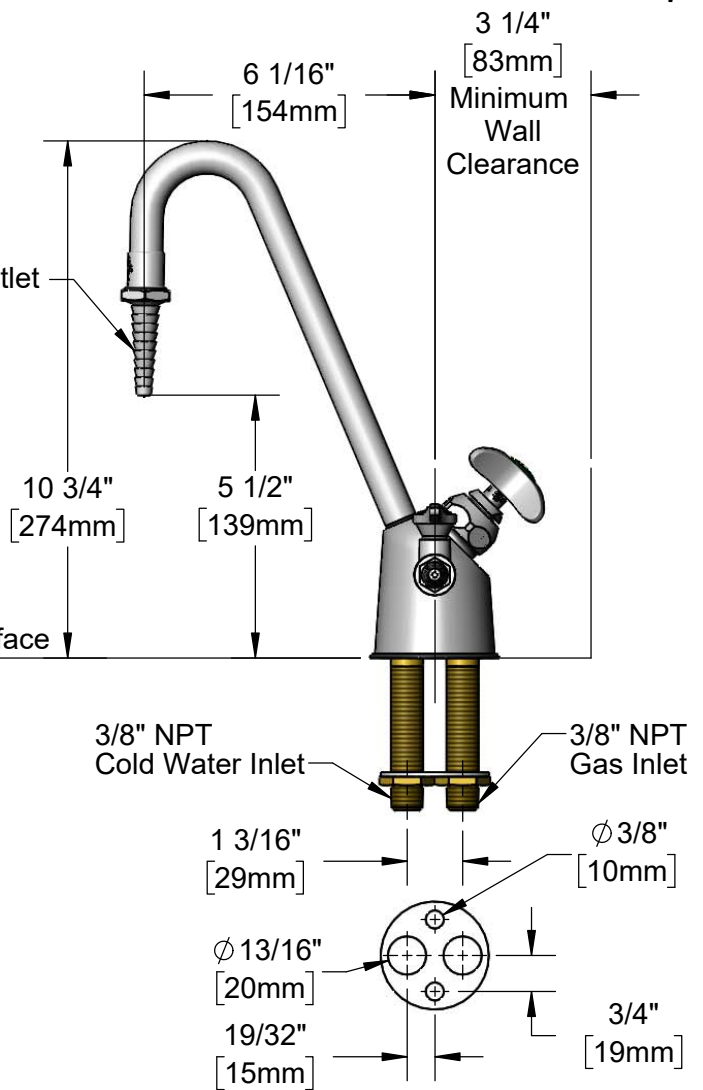
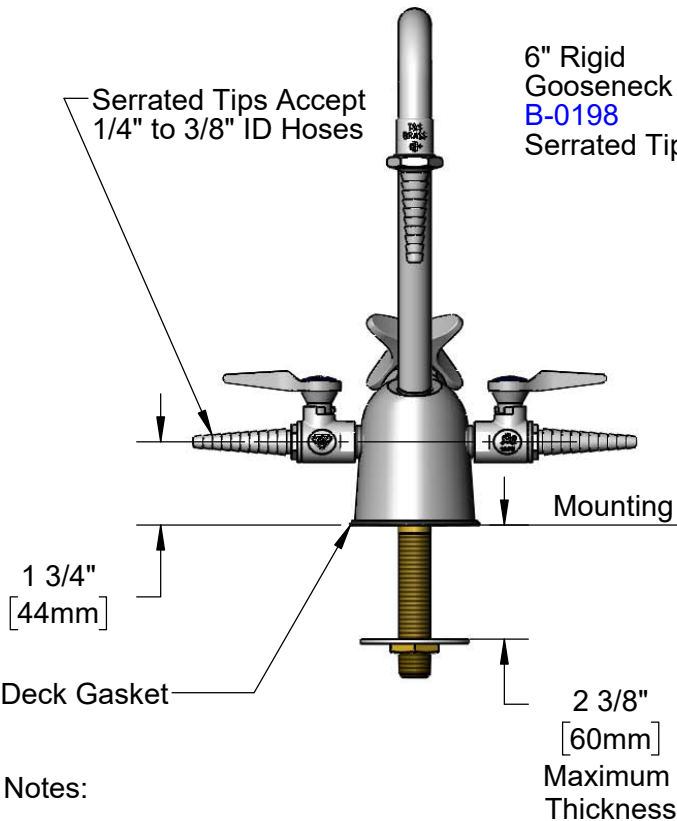
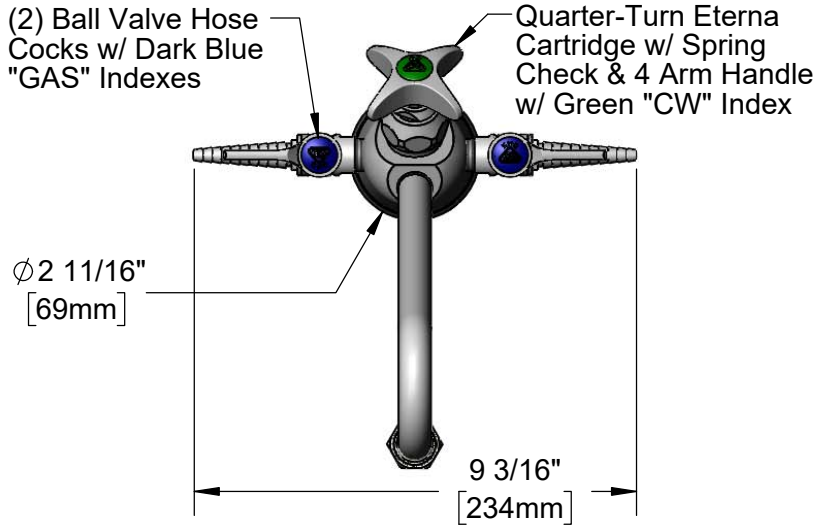
Customer/Wholesaler _____

Contractor _____

Architect/Engineer _____



ADA Compliant



Mounting Washer / Rough-In Detail

Notes:

1. Natural Gas Pressure: 0.5 PSIG Max. (For Natural Gas above 0.5 PSIG or Oxygen and Specialty Gases, use [BL-4010-01](#) Gas Cock.)
2. Temperature Range: 32°F - 125°F

Product Specifications:

Combination Gas & Water Fixture w/ (2) Ball Valve Gas Cocks, Quarter-Turn Eterna Cartridge with Spring Check and 4-Arm Handle, 6" Rigid Gooseneck, Serrated Tip & 3/8" NPT Male Inlets

Product Compliance:

ASME A112.18.1 / CSA B125.1
NSF 61 - Section 9
NSF 372 (Low Lead Content)
ANSI Z21.15a / CSA 9.1a (Gas Valves)
ANSI A117.1 (ADA)



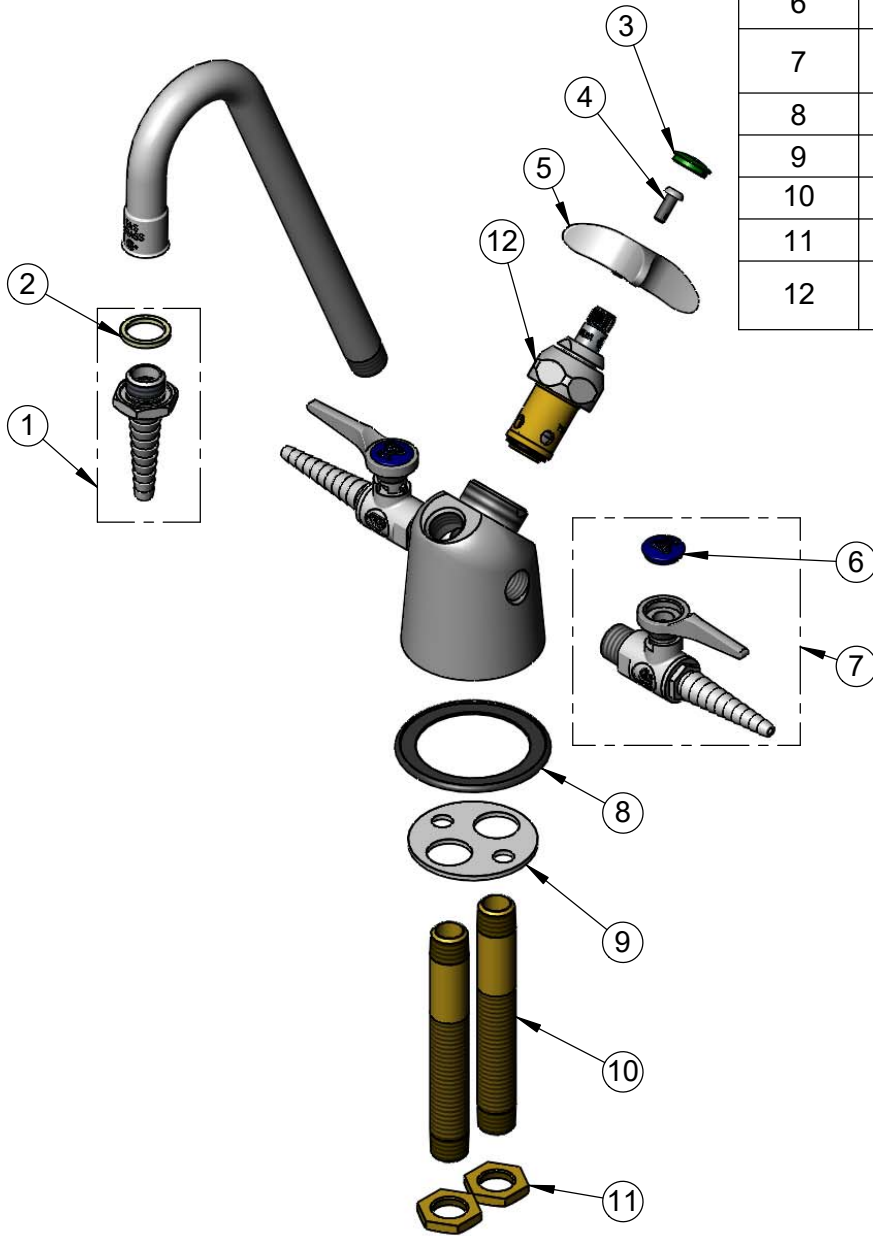
T&S BRASS AND BRONZE WORKS, INC.
 2 Saddleback Cove / P.O. Box 1088
 Travelers Rest, SC 29690

Model No.
BL-6000-02

Item No.

Travelers Rest, SC: 800-476-4103 • Simi Valley, CA: 800-423-0150 • Fax: 864-834-3518 • www.tsbrass.com

ITEM NO.	SALES NO.	DESCRIPTION
1	B-0198	Serrated Tip w/ Washer
2	001051-45	Washer
3	001191-45NS	Green "CW" Lab Button Index
4	000925-45	Lab Handle Screw
5	002521-45NS	4-Arm Handle (New Style)
6	209L-GAS-NS	Dark Blue "GAS" Lab Button Index
7	BL-4000-01	Ball Valve Hose Cock w/ GAS, AIR & VAC Indexes
8	001160-45	Gasket, BL-6000
9	001004-45	Turret Brass Washer, BL-6000
10	000381-20	3/8" NPT Brass Supply Nipple
11	000969-45	3/8" NPSL Brass Lock Nut
12	012443-40NS	Quarter-Turn Eterna Cartridge, w/ Spring Check, RTC



Product Specifications:
 Combination Gas & Water Fixture w/ (2) Ball Valve Gas Cocks, Quarter-Turn Eterna Cartridge with Spring Check and 4-Arm Handle, 6" Rigid Gooseneck, Serrated Tip & 3/8" NPT Male Inlets

Product Compliance:
 ASME A112.18.1 / CSA B125.1
 NSF 61 - Section 9
 NSF 372 (Low Lead Content)
 ANSI Z21.15a / CSA 9.1a (Gas Valves)
 ANSI A117.1 (ADA)