



# T&S BRASS AND BRONZE WORKS, INC.

2 Saddleback Cove / P.O. Box 1088  
Travelers Rest, SC 29690

Model No.

**BL-5850-02**

Item No.

Travelers Rest, SC: 800-476-4103 • Simi Valley, CA: 800-423-0150 • Fax: 864-834-3518 • www.tsbrass.com

This Space for Architect/Engineer Approval

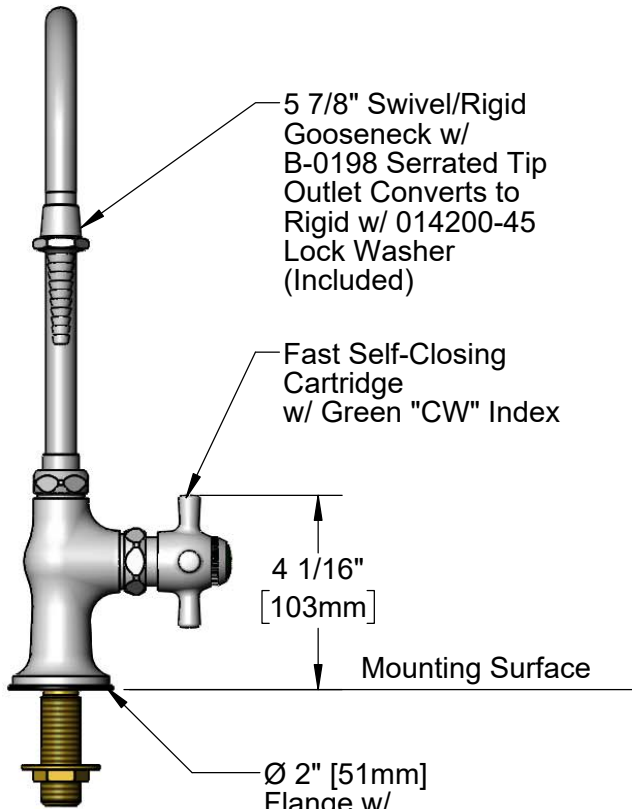
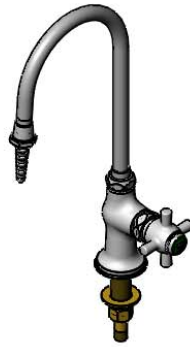
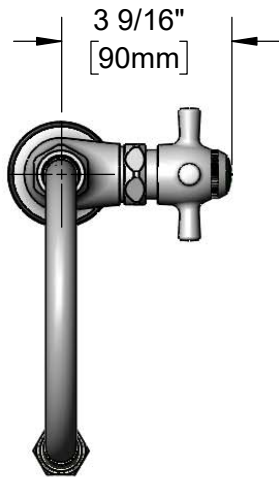
Job Name \_\_\_\_\_ Date \_\_\_\_\_

Model Specified \_\_\_\_\_ Quantity \_\_\_\_\_

Customer/Wholesaler \_\_\_\_\_

Contractor \_\_\_\_\_

Architect/Engineer \_\_\_\_\_



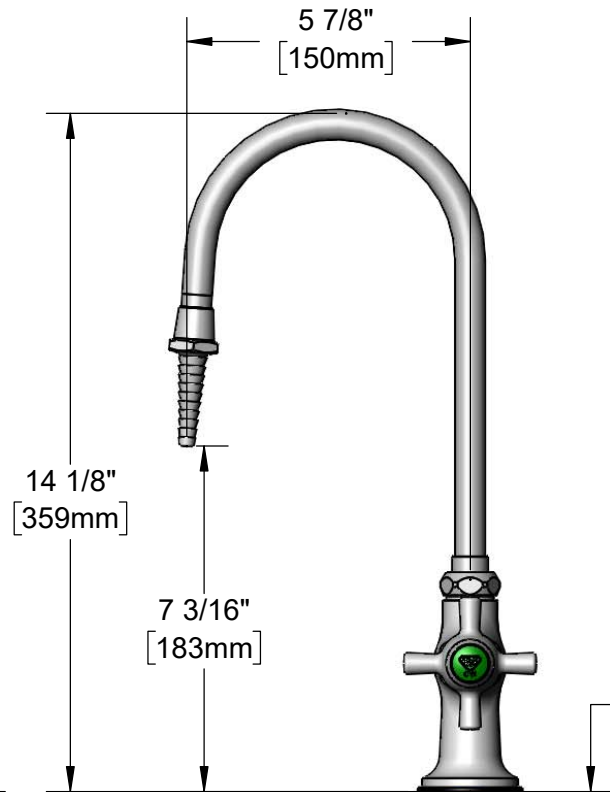
5 7/8" Swivel/Rigid  
Gooseneck w/  
B-0198 Serrated Tip  
Outlet Converts to  
Rigid w/ 014200-45  
Lock Washer  
(Included)

Fast Self-Closing  
Cartridge  
w/ Green "CW" Index

4 1/16"  
[103mm]

Mounting Surface

Ø 2" [51mm]  
Flange w/  
Black Plastic Deck  
Gasket & 1/2" NPSM  
Male Inlet



5 7/8"  
[150mm]

14 1/8"  
[359mm]

7 3/16"  
[183mm]

1 9/16"  
[40mm]  
Maximum  
Thickness

150A  
Optional Tailpiece &  
Nut for 1/4" NPT  
Connection (Included)

Rough-In Requirement:  
Ø 1" [25mm] Mounting Hole

### Product Specifications:

Single Hole Single Temperature Laboratory Faucet, Fast Self-Closing Cartridge, 5 7/8" Swivel/Rigid Gooseneck, Serrated Tip & 1/2" NPSM Male Inlet

### Product Compliance:

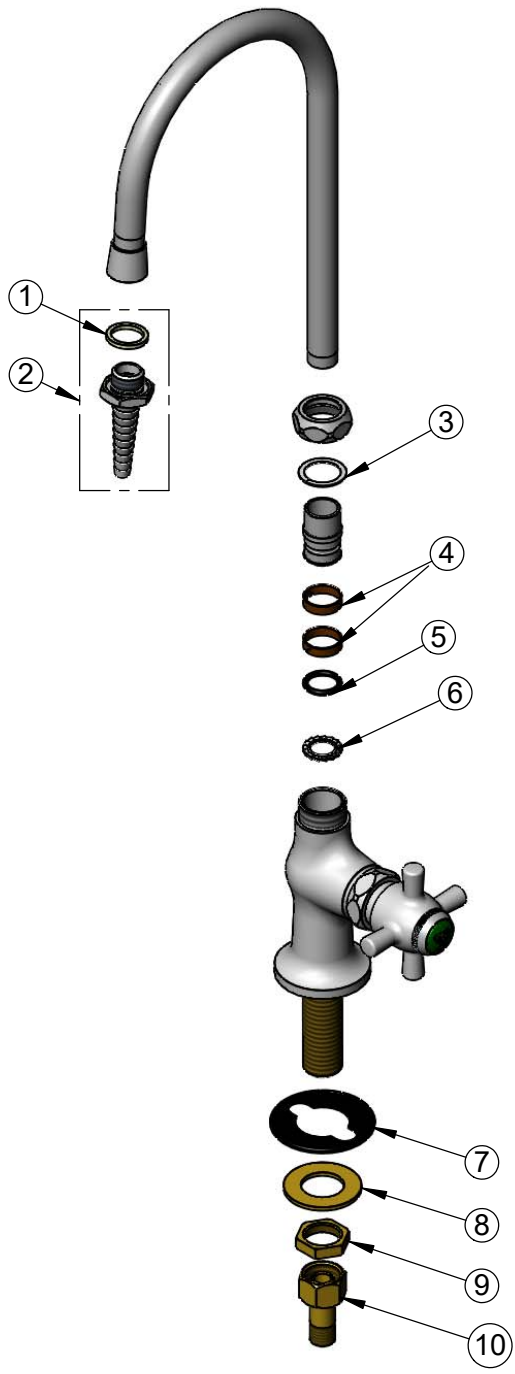
ASME A112.18.1 / CSA B125.1  
NSF 61 - Section 9  
NSF 372 (Low Lead Content)



**T&S BRASS AND BRONZE WORKS, INC.**  
 2 Saddleback Cove / P.O. Box 1088  
 Travelers Rest, SC 29690

Model No.  
**BL-5850-02**  
 Item No.

Travelers Rest, SC: 800-476-4103 • Simi Valley, CA: 800-423-0150 • Fax: 864-834-3518 • www.tsbrass.com



ITEM NO.	SALES NO.	DESCRIPTION
1	001051-45	Washer
2	B-0198	Serrated Tip w/ Washer
3	009538-45	Swivel Washer
4	011429-45	Swivel Sleeves (2)
5	001074-45	O-Ring
6	014200-45	Star Washer, Anti-Rotation
7	144L	Black Plastic Deck Gasket
8	000999-45	Brass Lock Washer
9	002954-45	Shank Lock Nut
10	150A	1/4" NPT Tailpiece & Nut

Product Specifications:  
 Single Hole Single Temperature Laboratory Faucet, Fast Self-Closing  
 Cartridge, 5 7/8" Swivel/Rigid Gooseneck, Serrated Tip & 1/2" NPSM Male Inlet

Product Compliance:  
 ASME A112.18.1 / CSA B125.1  
 NSF 61 - Section 9  
 NSF 372 (Low Lead Content)