



# T&S BRASS AND BRONZE WORKS, INC.

2 Saddleback Cove / P.O. Box 1088  
Travelers Rest, SC 29690

Model No.

**BL-5850-01TL**

Item No.

Travelers Rest, SC: 800-476-4103 • Simi Valley, CA: 800-423-0150 • Fax: 864-834-3518 • www.tsbrass.com

This Space for Architect/Engineer Approval

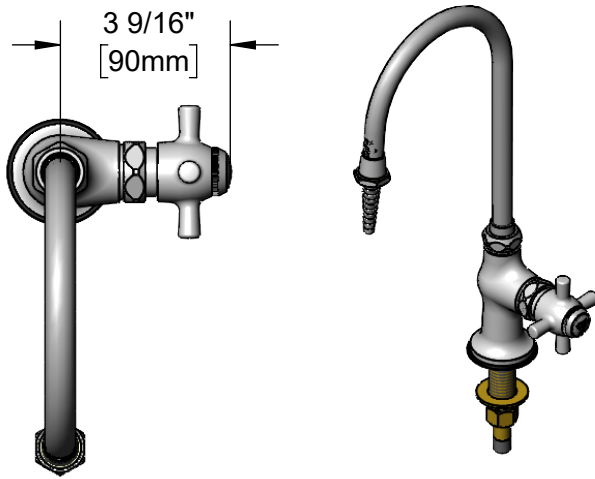
Job Name \_\_\_\_\_ Date \_\_\_\_\_

Model Specified \_\_\_\_\_ Quantity \_\_\_\_\_

Customer/Wholesaler \_\_\_\_\_

Contractor \_\_\_\_\_

Architect/Engineer \_\_\_\_\_



3 9/16"  
[90mm]

5 7/8" Swivel/Rigid  
Gooseneck w/  
B-0198 Serrated Tip  
Outlet. Converts to  
Rigid w/ 014200-45  
Lock Washer (Included)

Fast Self-Closing  
Cartridge w/  
White "DW" Index

Mounting  
Surface

Ø 2" [51mm]  
Flange w/  
Black Plastic Deck  
Gasket & 1/2" NPSM  
Male Inlet

5 7/8"  
[149mm]

7 7/16"  
[189mm]

Ø 2 3/16"  
[56mm]  
Deck Gasket

14 3/16"  
[360mm]

Optional Tailpiece  
& Nut for 1/4" NPT  
Connection (Included)

1 9/16"  
[40mm]  
Maximum  
Thickness

Rough-In Requirement:  
Ø 1" [25mm] Mounting Hole

**Product Specifications:**

Single Hole Single Temperature Tin-Lined Laboratory Faucet, Fast Self-Closing Cartridge, 5 7/8" Swivel/Rigid Gooseneck, Serrated Tip & 1/2" NPSM Male Inlet

**Product Compliance:**

ASME A112.18.1 / CSA B125.1  
NSF 61 Exempt (Non-Potable)  
NSF 372 (Low Lead Content)



# T&S BRASS AND BRONZE WORKS, INC.

2 Saddleback Cove / P.O. Box 1088  
Travelers Rest, SC 29690

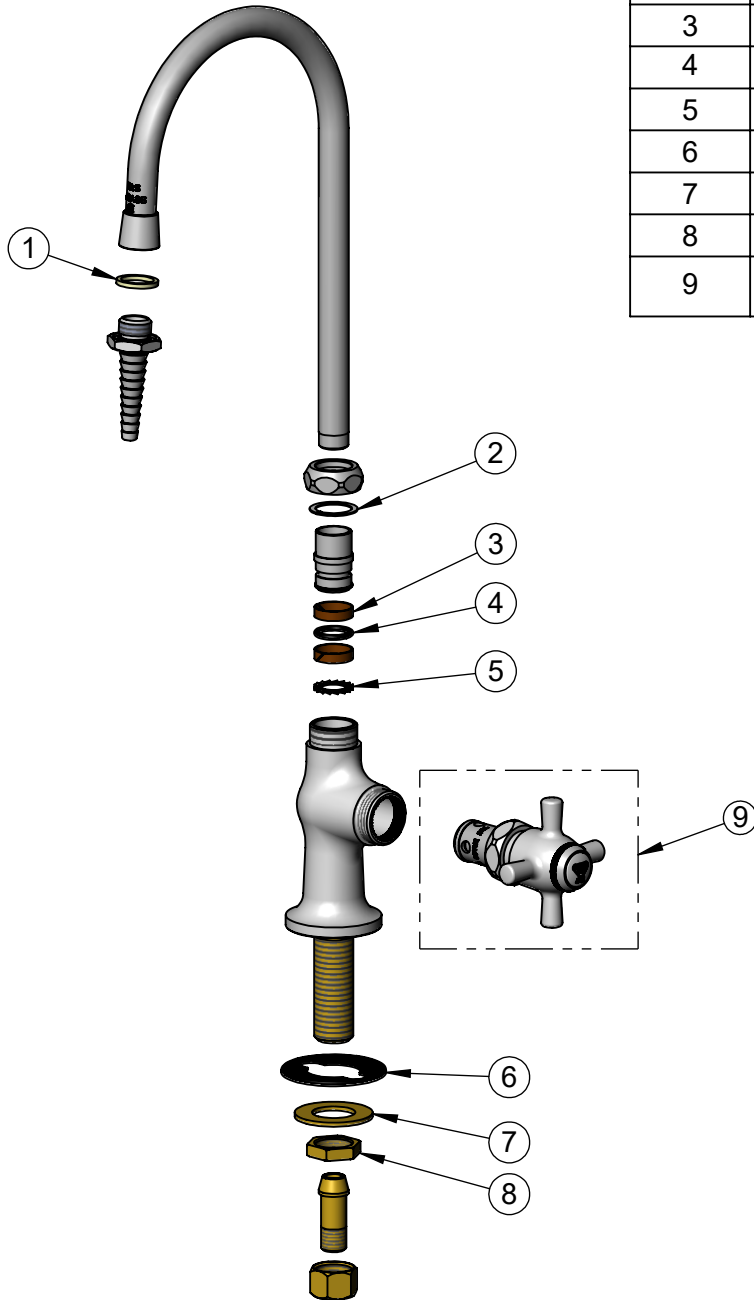
Model No.

**BL-5850-01TL**

Item No.

Travelers Rest, SC: 800-476-4103 • Simi Valley, CA: 800-423-0150 • Fax: 864-834-3518 • www.tsbrass.com

ITEM NO.	SALES NO.	DESCRIPTION
1	001051-45	Washer
2	009538-45	Swivel Washer
3	011429-45	Swivel Sleeves (2)
4	001074-45	O-Ring
5	014200-45	Star Washer, Anti-Rotation
6	144L	Black Plastic Gasket
7	000999-45	Brass Lock Washer
8	002954-45	Shank Lock Nut
9	120A-NS	Fast Self-Closing Cartridge w/ DW White Index (Tin-Lined)



**Product Specifications:**

Single Hole Single Temperature Tin-Lined Laboratory Faucet, Fast Self-Closing Cartridge, 5 7/8" Swivel/Rigid Gooseneck, Serrated Tip & 1/2" NPSM Male Inlet

**Product Compliance:**

ASME A112.18.1 / CSA B125.1  
NSF 61 Exempt (Non-Potable)  
NSF 372 (Low Lead Content)