



# T&S BRASS AND BRONZE WORKS, INC.

2 Saddleback Cove / P.O. Box 1088  
Travelers Rest, SC 29690

Model No.

**BL-5775-01**

Item No.

Travelers Rest, SC: 800-476-4103 • Simi Valley, CA: 800-423-0150 • Fax: 864-834-3518 • www.tsbrass.com

This Space for Architect/Engineer Approval

Job Name \_\_\_\_\_ Date \_\_\_\_\_

Model Specified \_\_\_\_\_ Quantity \_\_\_\_\_

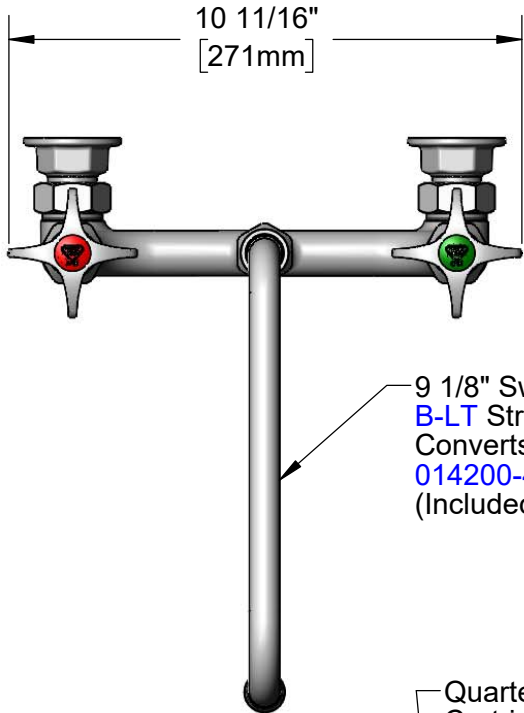
Customer/Wholesaler \_\_\_\_\_

Contractor \_\_\_\_\_

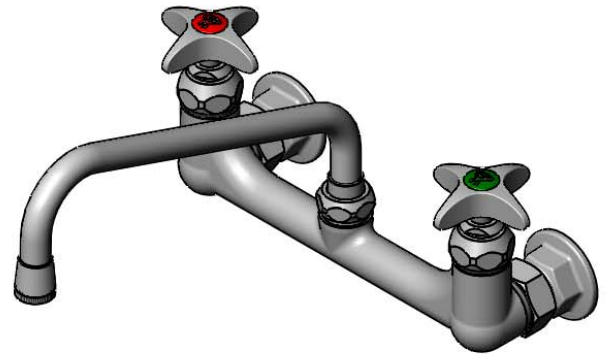
Architect/Engineer \_\_\_\_\_



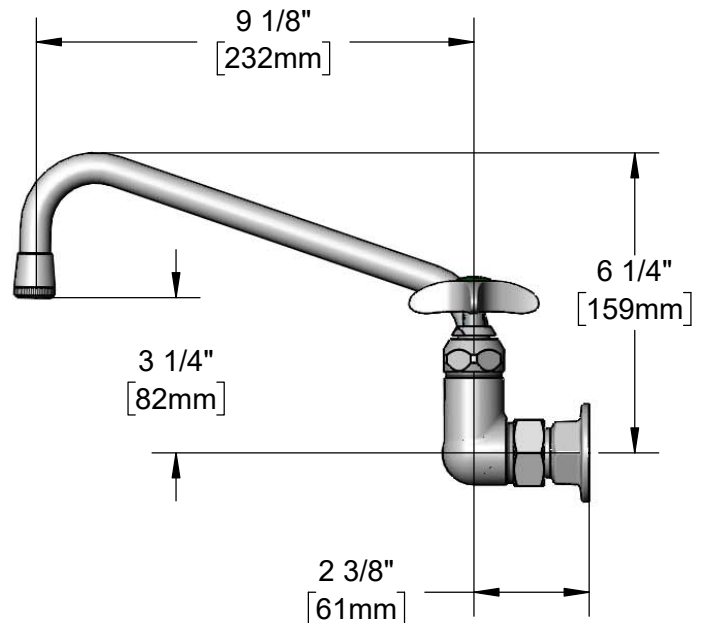
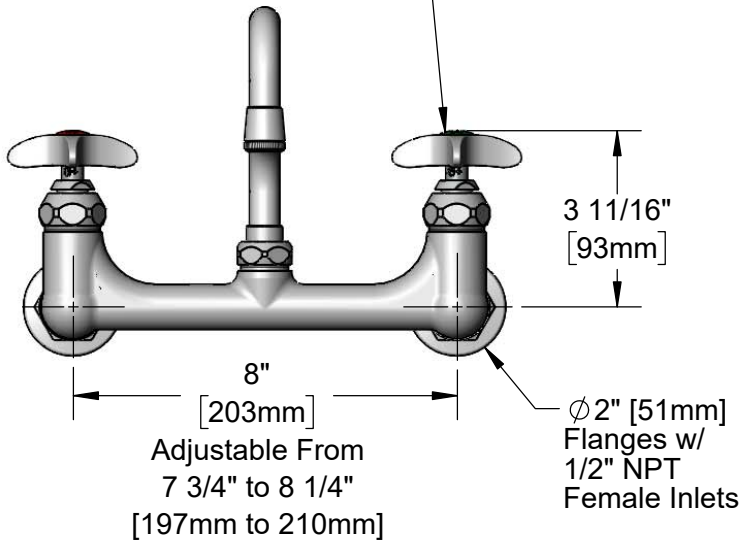
**ADA Compliant**



9 1/8" Swing Nozzle w/  
B-LT Stream Regulator Outlet.  
Converts to Rigid w/  
014200-45 Lock Washer  
(Included)



Quarter-Turn Eterna  
Cartridges w/  
Spring Checks &  
4-Arm Lab Handles w/  
Color Coded Indexes



**Product Specifications:**

8" Wall Mount Mixing Faucet w/ 9 1/8" Swing Nozzle, Stream Regulator Outlet, Quarter-Turn Eterna Cartridges w/ Spring Checks, 4-Arm Lab Handles & 1/2" NPT Female Inlets

**Product Compliance:**

ASME A112.18.1 / CSA B125.1  
NSF 61 - Section 9  
NSF 372 (Low Lead Content)  
ANSI A117.1 (ADA)



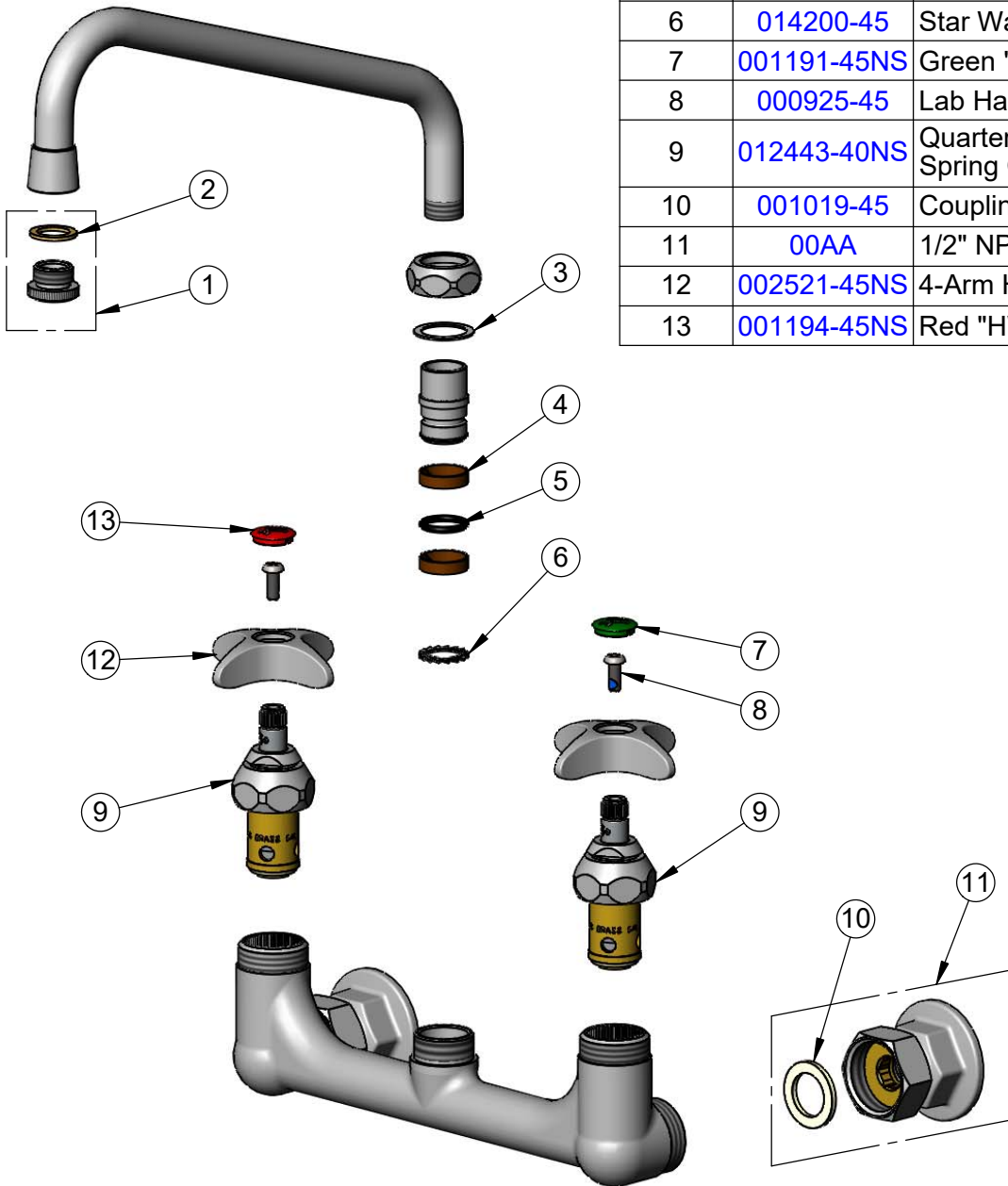
**T&S BRASS AND BRONZE WORKS, INC.**  
 2 Saddleback Cove / P.O. Box 1088  
 Travelers Rest, SC 29690

Model No.  
**BL-5775-01**

Item No.

Travelers Rest, SC: 800-476-4103 • Simi Valley, CA: 800-423-0150 • Fax: 864-834-3518 • www.tsbrass.com

ITEM NO.	SALES NO.	DESCRIPTION
1	B-LT	Stream Regulator Outlet
2	001043-45	Washer
3	009538-45	Swivel Washer
4	011429-45	Swivel Sleeves (2)
5	001074-45	O-Ring
6	014200-45	Star Washer, Anti-Rotation
7	001191-45NS	Green "CW" Lab Button Index
8	000925-45	Lab Handle Screw
9	012443-40NS	Quarter-Turn Eterna Cartridge, RTC w/ Spring Check
10	001019-45	Coupling Nut Washer
11	00AA	1/2" NPT Female Eccentric Flange
12	002521-45NS	4-Arm Handle (New Style)
13	001194-45NS	Red "HW" Lab Button Index



**Product Specifications:**  
 8" Wall Mount Mixing Faucet w/ 9 1/8" Swing Nozzle, Stream Regulator Outlet, Quarter-Turn Eterna Cartridges w/ Spring Checks, 4-Arm Lab Handles & 1/2" NPT Female Inlets

**Product Compliance:**  
 ASME A112.18.1 / CSA B125.1  
 NSF 61 - Section 9  
 NSF 372 (Low Lead Content)  
 ANSI A117.1 (ADA)