



# T&S BRASS AND BRONZE WORKS, INC.

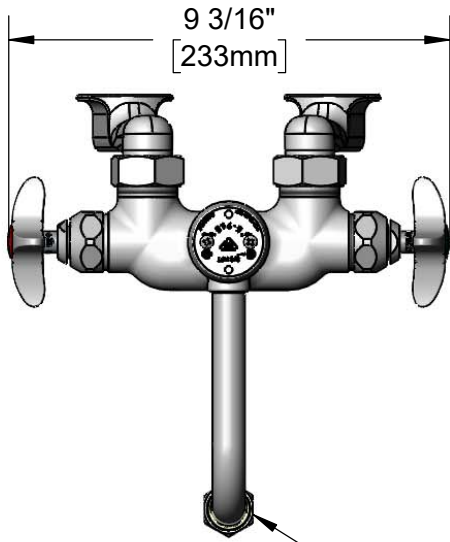
2 Saddleback Cove / P.O. Box 1088  
Travelers Rest, SC 29690

Model No.

**BL-5740-08**

Item No.

Travelers Rest, SC: 800-476-4103 • Simi Valley, CA: 800-423-0150 • Fax: 864-834-3518 • www.tsbrass.com



**ADA Compliant**

This Space for Architect/Engineer Approval

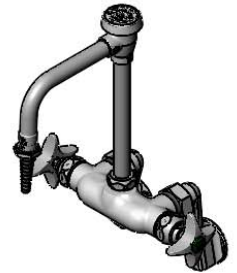
Job Name \_\_\_\_\_ Date \_\_\_\_\_

Model Specified \_\_\_\_\_ Quantity \_\_\_\_\_

Customer/Wholesaler \_\_\_\_\_

Contractor \_\_\_\_\_

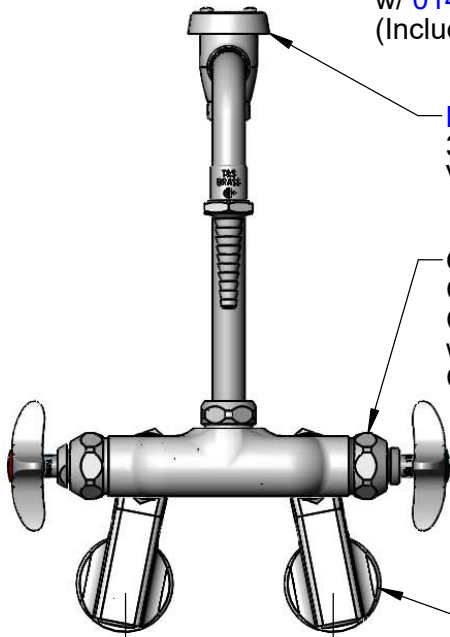
Architect/Engineer \_\_\_\_\_



**BL-5560-03**  
Swivel Vacuum Breaker Nozzle  
w/ Serrated Tip Outlet w/ 0.5 GPM  
Flow Control. Converts to Rigid  
w/ **014200-45** Lock Washer  
(Included)

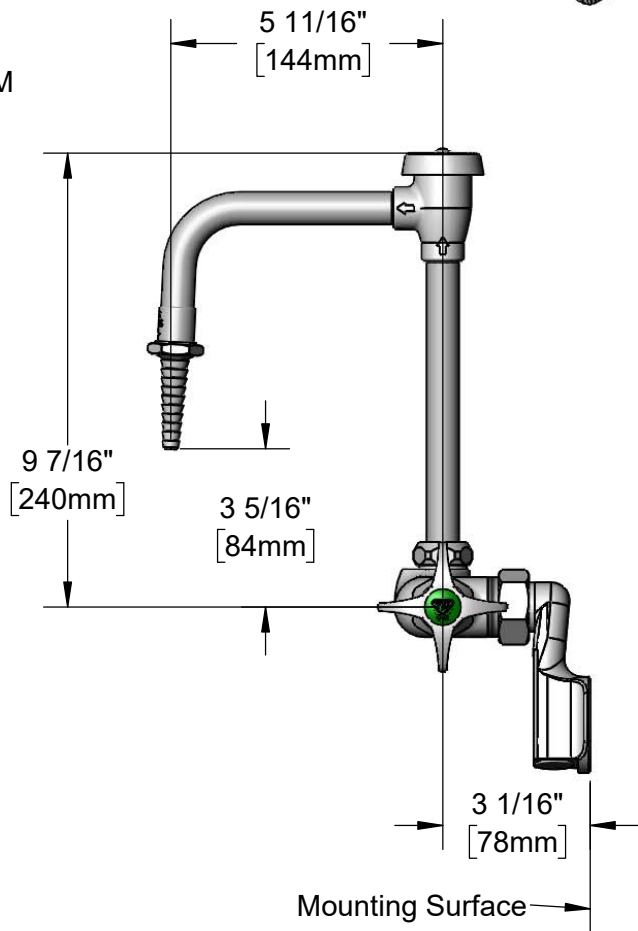
**B-0968**  
3/8" NPT  
Vacuum Breaker

Quarter-Turn Eterna  
Cartridges w/ Spring  
Checks & 4-Arm Handles  
w/ Color Coded Indexes  
Coded Indexes



Adjustable  
from  
2 1/4" to 8 1/4"  
[57mm] to [210mm]  
Below or Above Centerline

Ø2" [51mm] Wall  
Flange w/ 1/2" NPT  
Female Inlet



Mounting Surface

### Product Specifications:

Adjustable Wall Mount Mixing Faucet, Quarter-Turn Eterna Cartridges w/ Spring Checks, 4-Arm Handles, Swivel Vacuum Breaker Nozzle, Serrated Tip w/ 0.5 GPM Flow Control & 1/2" NPT Female Adjustable Arm Inlets

### Product Compliance:

ASME A112.18.1 / CSA B125.1  
NSF 61 - Section 9  
NSF 372 (Low Lead Content)  
ANSI A117.1 (ADA)  
ASSE 1001 (VB)



# T&S BRASS AND BRONZE WORKS, INC.

2 Saddleback Cove / P.O. Box 1088  
Travelers Rest, SC 29690

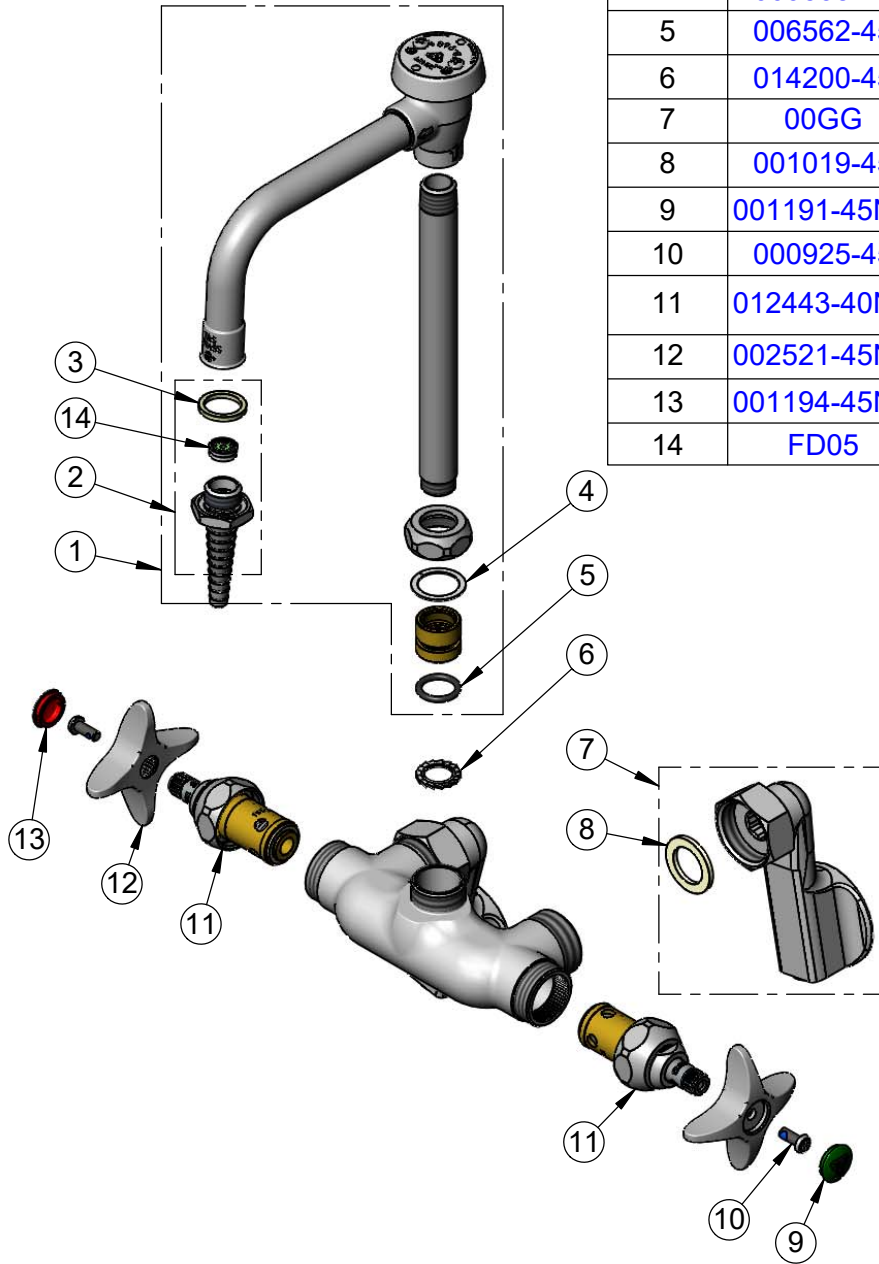
Model No.

**BL-5740-08**

Item No.

Travelers Rest, SC: 800-476-4103 • Simi Valley, CA: 800-423-0150 • Fax: 864-834-3518 • www.tsbrass.com

ITEM NO.	SALES NO.	DESCRIPTION
1	BL-5560-03	Swivel Vacuum Breaker Nozzle w/ Serrated Tip & 0.5 GPM Flow Disc
2	B-0198-FD05	Serrated Tip w/ 0.5 GPM Flow Disc & Washer
3	001051-45	Washer
4	009538-45	Swivel Washer
5	006562-45	O-ring
6	014200-45	Star Washer, Anti-Rotation
7	00GG	1/2" NPT Female Adjustable Arm Flange
8	001019-45	Coupling Nut Washer
9	001191-45NS	Green "CW" Lab Button Index
10	000925-45	Lab Handle Screw
11	012443-40NS	Quarter-Turn Eterna Cartridge w/ Spring Check, RTC
12	002521-45NS	4-Arm Handle (New Style)
13	001194-45NS	Red "HW" Lab Button Index
14	FD05	Flow Disc, 0.5 GPM [ 1.9 L/min.] (Lime)



**Product Specifications:**  
Adjustable Wall Mount Mixing Faucet, Quarter-Turn Eterna Cartridges w/ Spring Checks, 4-Arm Handles, Swivel Vacuum Breaker Nozzle, Serrated Tip w/ 0.5 GPM Flow Control & 1/2" NPT Female Adjustable Arm Inlets

**Product Compliance:**  
ASME A112.18.1 / CSA B125.1  
NSF 61 - Section 9  
NSF 372 (Low Lead Content)  
ANSI A117.1 (ADA)  
ASSE 1001 (VB)