

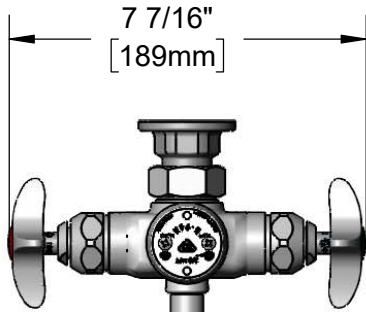


T&S BRASS AND BRONZE WORKS, INC.
 2 Saddleback Cove / P.O. Box 1088
 Travelers Rest, SC 29690

Model No.
BL-5735-08

Item No.

Travelers Rest, SC: 800-476-4103 • Simi Valley, CA: 800-423-0150 • Fax: 864-834-3518 • www.tsbrass.com



ADA Compliant

This Space for Architect/Engineer Approval

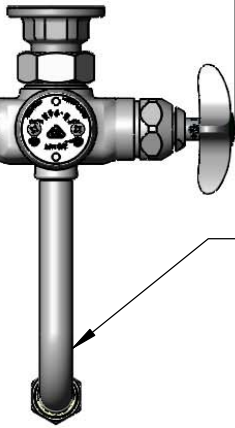
Job Name _____ Date _____

Model Specified _____ Quantity _____

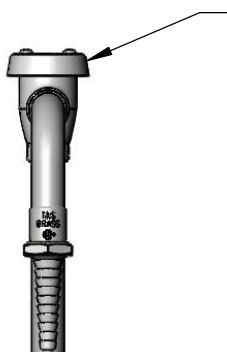
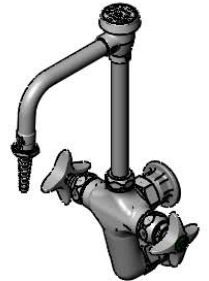
Customer/Wholesaler _____

Contractor _____

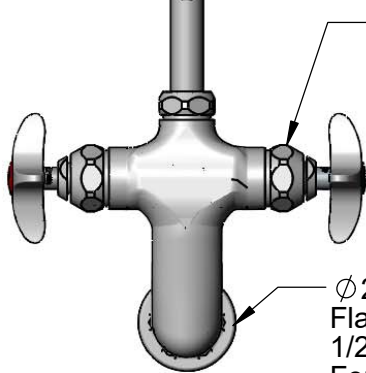
Architect/Engineer _____



Swing Nozzle w/
 Vacuum Breaker &
B-0198-FD05
 Serrated Tip w/ 0.5 GPM
 Flow Control & Washer.
 Rigid Conversion Requires
014200-45 Lock Washer
 (Included)

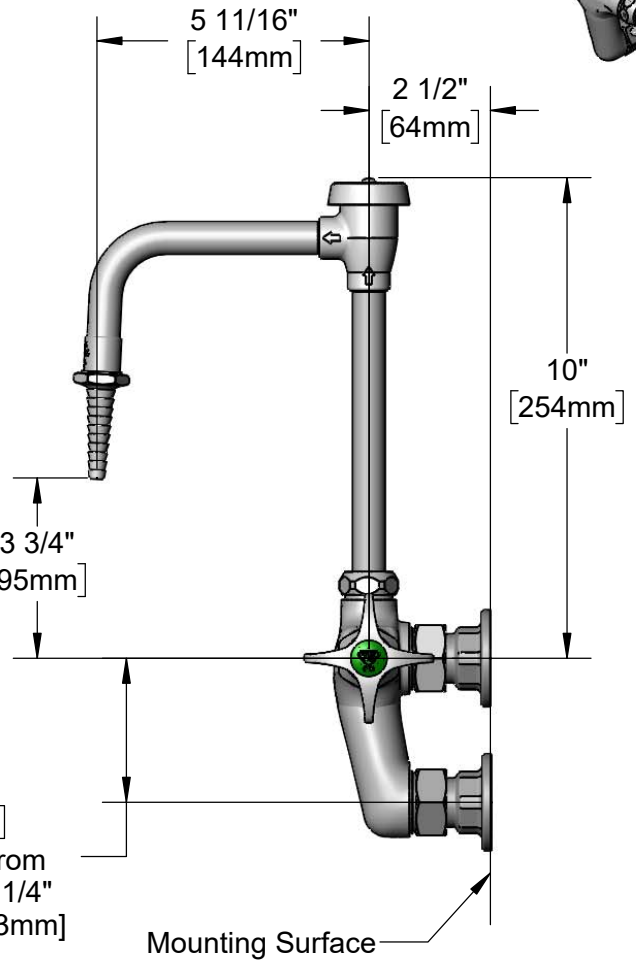


B-0968
 3/8" NPT Vacuum
 Breaker



Quarter-Turn
 Eterna Cartridges w/
 Spring Checks &
 4-Arm Handles w/
 Color Coded Indexes

Ø2" [51mm]
 Flange w/
 1/2" NPT
 Female Inlet



Mounting Surface

Product Specifications:

Wall Mount Mixing Faucet, Quarter-Turn Eterna Cartridges w/ Spring Checks, Rigid/Swivel Nozzle w/ Serrated Tip & 0.5 GPM Flow Control, Vacuum Breaker, 4-Arm Lab Handles and 1/2" NPT Female Adjustable Inlets

Product Compliance:

ASME A112.18.1 / CSA B125.1
 NSF 61 - Section 9
 NSF 372 (Low Lead Content)
 ANSI A117.1 (ADA)
 ASSE 1001 (VB)



T&S BRASS AND BRONZE WORKS, INC.

2 Saddleback Cove / P.O. Box 1088
Travelers Rest, SC 29690

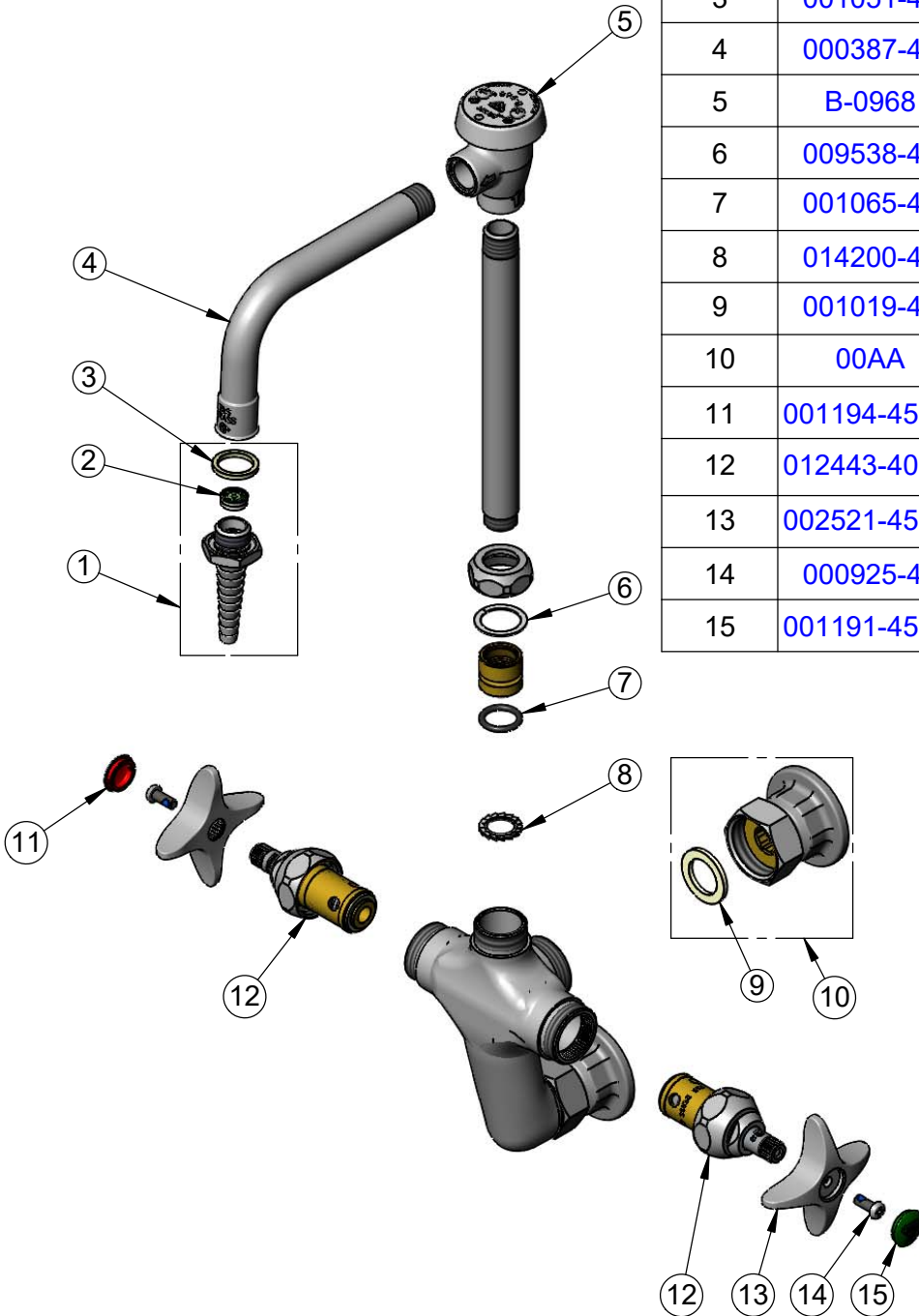
Model No.

BL-5735-08

Item No.

Travelers Rest, SC: 800-476-4103 • Simi Valley, CA: 800-423-0150 • Fax: 864-834-3518 • www.tsbrass.com

ITEM NO.	SALES NO.	DESCRIPTION
1	B-0198-FD05	Serrated Tip w/ 0.5 GPM Flow Disc & Washer
2	FD05	Flow Disc, 0.5 GPM [1.9 L/min.] (Lime)
3	001051-45	Washer
4	000387-40	Nozzle
5	B-0968	3/8" NPT Vacuum Breaker
6	009538-45	Swivel Washer
7	001065-45	O-Ring
8	014200-45	Star Washer, Anti-Rotation
9	001019-45	Coupling Nut Washer
10	00AA	1/2" NPT Female Eccentric Flange
11	001194-45NS	Red "HW" Lab Button Index
12	012443-40NS	Quarter-Turn Eterna Cartridge w/ Spring Check, RTC
13	002521-45NS	4-Arm Handle (New Style)
14	000925-45	Lab Handle Screw
15	001191-45NS	Green "CW" Lab Button Index



Product Specifications:

Wall Mount Mixing Faucet, Quarter-Turn Eterna Cartridges w/ Spring Checks, Rigid/Swivel Nozzle w/ Serrated Tip & 0.5 GPM Flow Control, Vacuum Breaker, 4-Arm Lab Handles and 1/2" NPT Female Adjustable Inlets

Product Compliance:

ASME A112.18.1 / CSA B125.1
NSF 61 - Section 9
NSF 372 (Low Lead Content)
ANSI A117.1 (ADA)
ASSE 1001 (VB)