



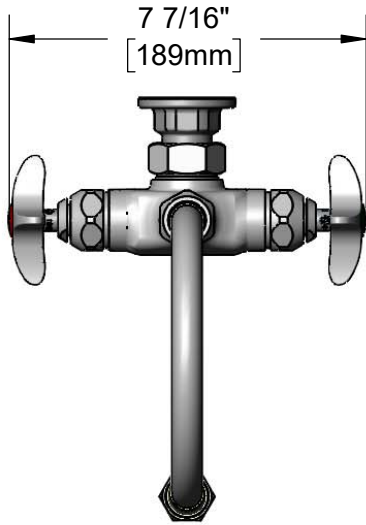
**T&S BRASS AND BRONZE WORKS, INC.**  
 2 Saddleback Cove / P.O. Box 1088  
 Travelers Rest, SC 29690

Model No.

**BL-5735-02**

Item No.

Travelers Rest, SC: 800-476-4103 • Simi Valley, CA: 800-423-0150 • Fax: 864-834-3518 • www.tsbrass.com



This Space for Architect/Engineer Approval

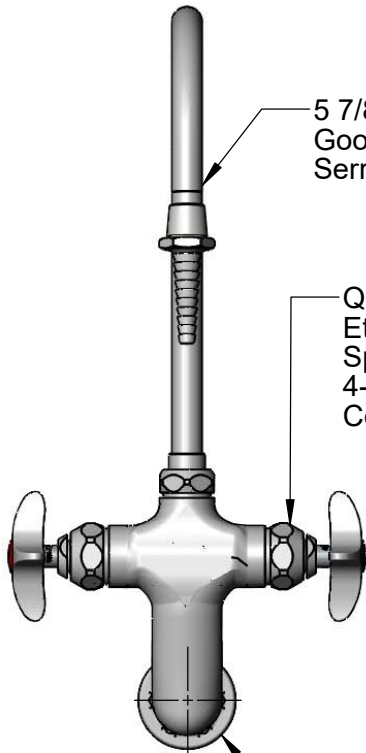
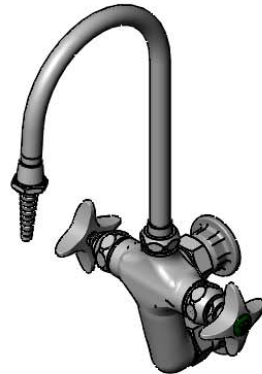
Job Name \_\_\_\_\_ Date \_\_\_\_\_

Model Specified \_\_\_\_\_ Quantity \_\_\_\_\_

Customer/Wholesaler \_\_\_\_\_

Contractor \_\_\_\_\_

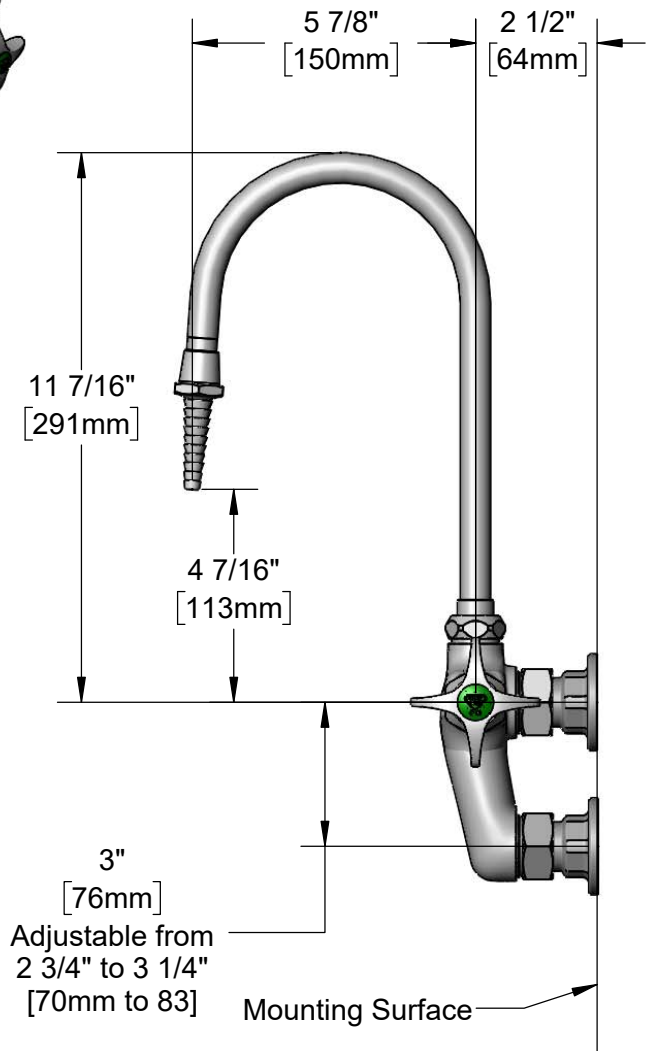
Architect/Engineer \_\_\_\_\_



5 7/8" Swivel/Rigid  
Gooseneck w/ B-0198  
Serrated Tip & Washer

Quarter-Turn  
Eterna Cartridges w/  
Spring Checks &  
4-Arm Handles w/  
Color Coded Indexes

Ø2" [51mm]  
Flange w/  
1/2" NPT  
Female Inlet



**Product Specifications:**

Wall Mount Mixing Faucet, Quarter-Turn Eterna Cartridges w/ Spring Checks, 5 7/8" Swivel/Rigid Gooseneck w/ Serrated Tip, 4-Arm Lab Handles and 1/2" NPT Female Adjustable Inlets

**Product Compliance:**

ASME A112.18.1 / CSA B125.1  
 NSF 61 - Section 9  
 NSF 372 (Low Lead Content)  
 ANSI A117.1 (ADA)



**T&S BRASS AND BRONZE WORKS, INC.**

2 Saddleback Cove / P.O. Box 1088  
Travelers Rest, SC 29690

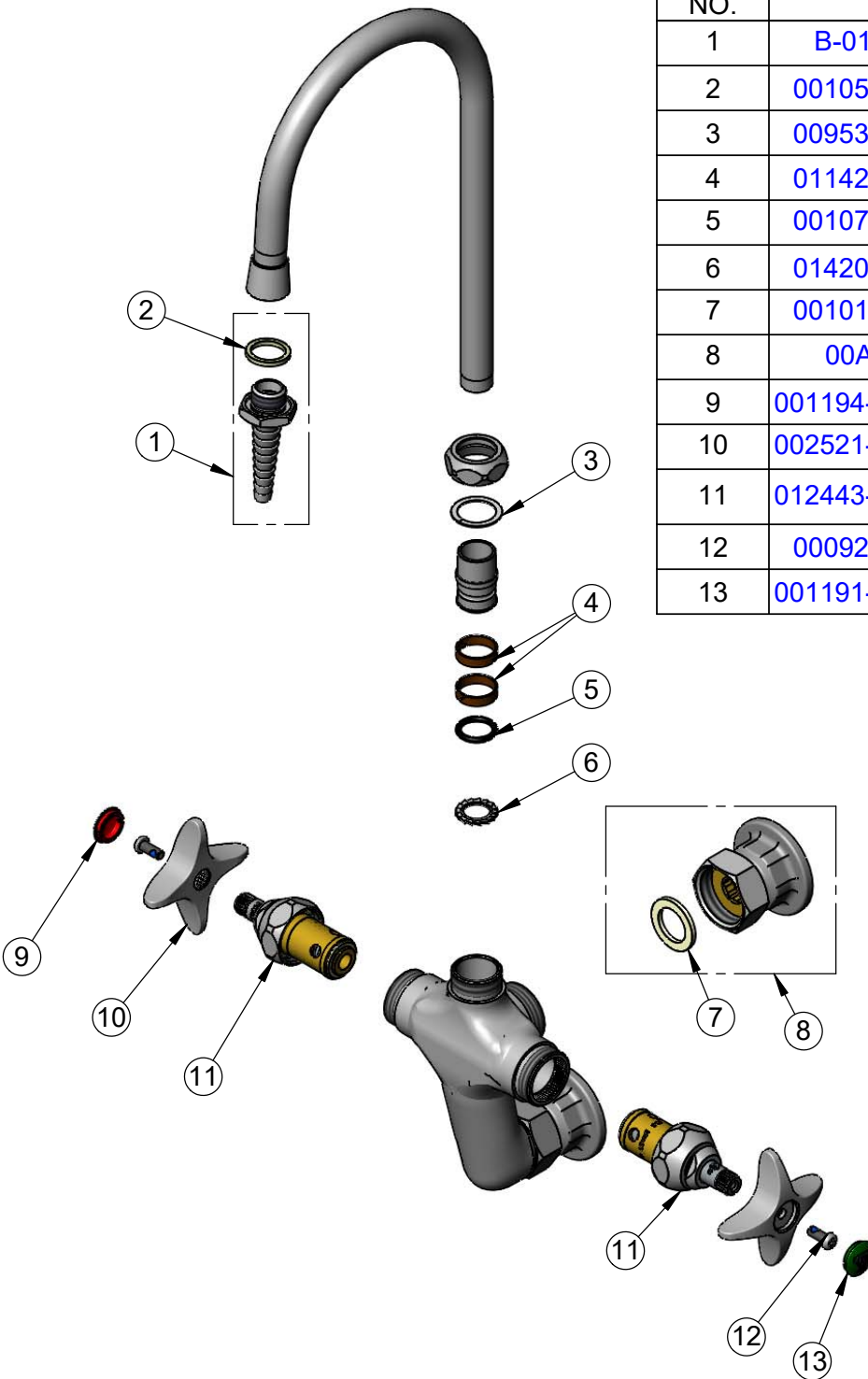
Model No.

**BL-5735-02**

Item No.

Travelers Rest, SC: 800-476-4103 • Simi Valley, CA: 800-423-0150 • Fax: 864-834-3518 • www.tsbrass.com

ITEM NO.	SALES NO.	DESCRIPTION
1	B-0198	Serrated Tip w/ Washer
2	001051-45	Washer
3	009538-45	Swivel Washer
4	011429-45	Swivel Sleeves (2)
5	001074-45	O-Ring
6	014200-45	Star Washer, Anti-Rotation
7	001019-45	Coupling Nut Washer
8	00AA	1/2" NPT Female Eccentric Flange
9	001194-45NS	Red "HW" Lab Button Index
10	002521-45NS	4-Arm Handle (New Style)
11	012443-40NS	Quarter-Turn Eterna Cartridge w/ Spring Check, RTC
12	000925-45	Lab Handle Screw
13	001191-45NS	Green "CW" Lab Button Index



**Product Specifications:**

Wall Mount Mixing Faucet, Quarter-Turn Eterna Cartridges w/ Spring Checks, 5 7/8" Swivel/Rigid Gooseneck w/ Serrated Tip, 4-Arm Lab Handles and 1/2" NPT Female Adjustable Inlets

**Product Compliance:**

ASME A112.18.1 / CSA B125.1  
NSF 61 - Section 9  
NSF 372 (Low Lead Content)  
ANSI A117.1 (ADA)