



T&S BRASS AND BRONZE WORKS, INC.

2 Saddleback Cove / P.O. Box 1088
Travelers Rest, SC 29690

Model No.

BL-5715-09

Item No.

Travelers Rest, SC: 800-476-4103 • Simi Valley, CA: 800-423-0150 • Fax: 864-834-3518 • www.tsbrass.com



ADA Compliant

This Space for Architect/Engineer Approval

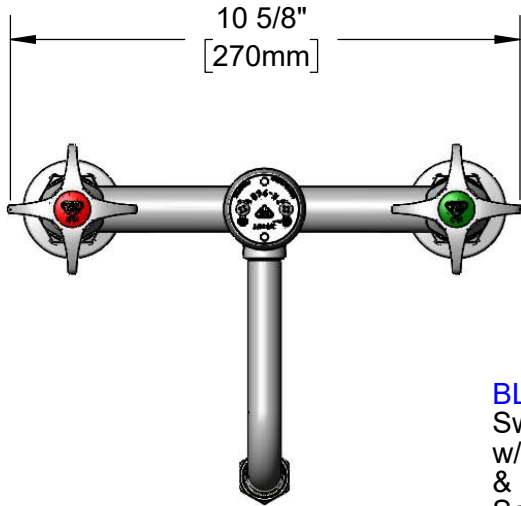
Job Name _____ Date _____

Model Specified _____ Quantity _____

Customer/Wholesaler _____

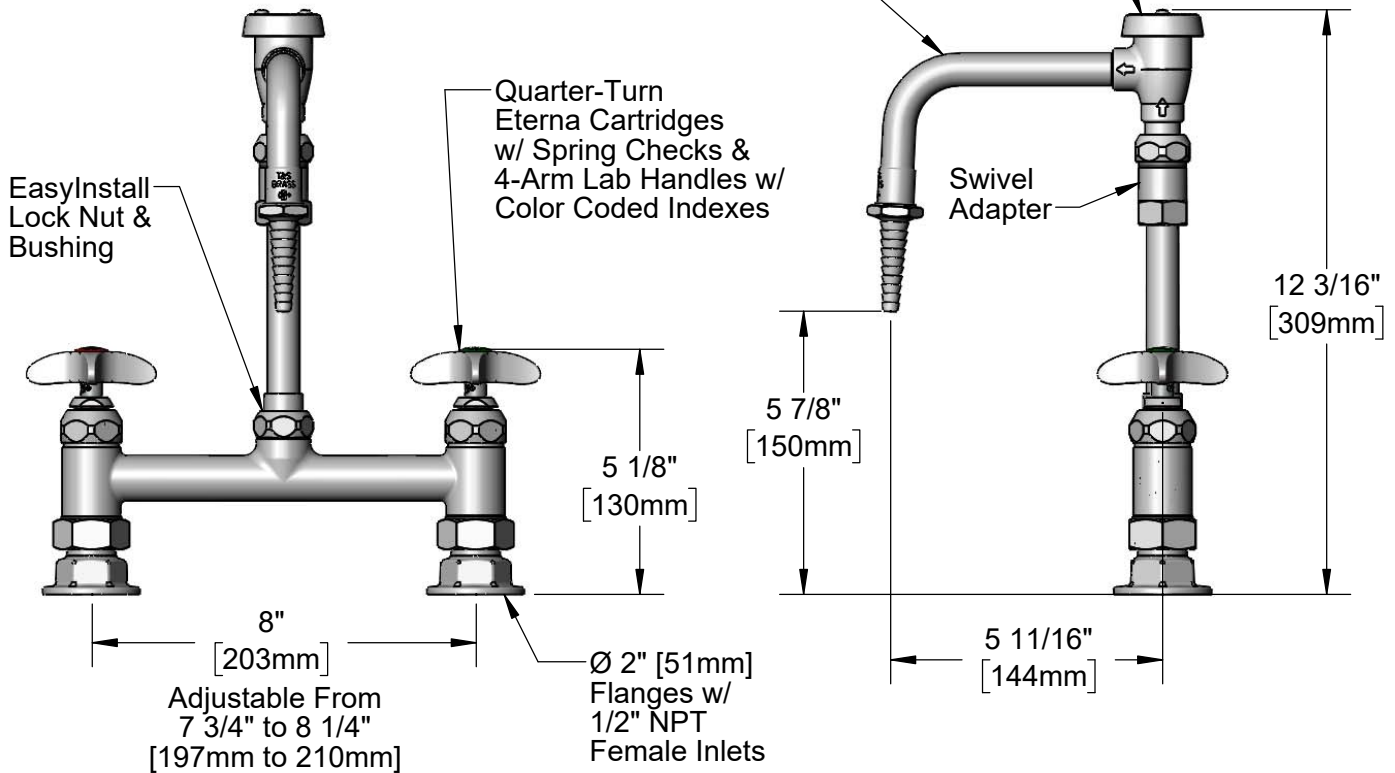
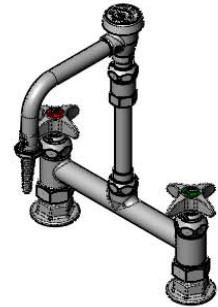
Contractor _____

Architect/Engineer _____



BL-5560-02
Swivel/Rigid Nozzle
w/ Vacuum Breaker
& **B-0198-FD05**
Serrated Tip Outlet w/
0.5 GPM Flow Control

B-0968
3/8" NPT
Vacuum
Breaker



Product Specifications:

8" Deck Mount Laboratory Mixing Faucet, Quarter-Turn Eterna Cartridges w/ Spring Checks, 4-Arm Lab Handles, Swivel Adapter, Swivel Vacuum Breaker Nozzle w/ Serrated Tip Outlet w/ 0.5 GPM Flow Control & 1/2" NPT Female Inlets

Product Compliance:

ASME A112.18.1 / CSA B125.1
NSF 61 - Section 9
NSF 372 (Low Lead Content)
ANSI A117.1 (ADA)
ASSE 1001 (VB)



T&S BRASS AND BRONZE WORKS, INC.

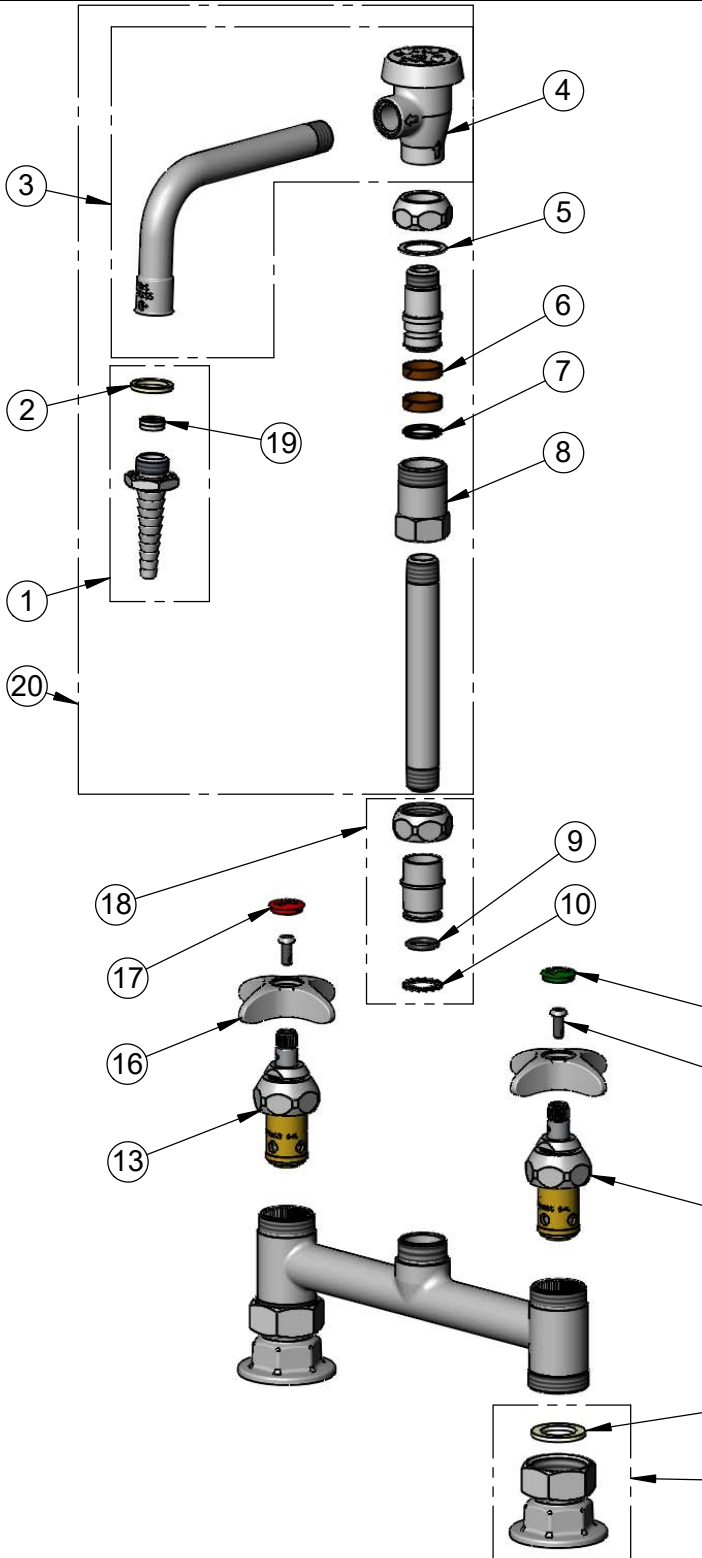
2 Saddleback Cove / P.O. Box 1088
Travelers Rest, SC 29690

Model No.

BL-5715-09

Item No.

Travelers Rest, SC: 800-476-4103 • Simi Valley, CA: 800-423-0150 • Fax: 864-834-3518 • www.tsbrass.com



ITEM NO.	SALES NO.	DESCRIPTION
1	B-0198-FD05	Serrated Tip w/ 0.5-GPM Flow DiscWasher
2	001051-45	Washer
3	007283-40	Nozzle w/ Vacuum Breaker Only
4	B-0968	3/8" NPT Vacuum Breaker
5	009538-45	Swivel Washer
6	011429-45	Swivel Sleeves (2)
7	001074-45	O-Ring
8	054X	Swivel Body
9	006562-45	O-ring
10	014200-45	Star Washer, Anti-Rotation
11	001191-45NS	Green "CW" Lab Button Index
12	000925-45	Lab Handle Screw
13	012443-40NS	Quarter-Turn Eterna Cartridge, RTC w/ Spring Check
14	001019-45	Coupling Nut Washer
15	00AA	1/2" NPT Female Eccentric Flange
16	002521-45NS	4-Arm Handle (New Style)
17	001194-45NS	Red "HW" Lab Button Index
18	EZ-K	EasyInstall Kit: Nut, Bushing, O-Ring & Lock Washer
19	FD05	Flow Disc, 0.5 GPM [1.9 L/min.] (Lime)
20	BL-5560-02	Swivel Nozzle w/ Vacuum Breaker & Serrated Tip & 0.5 GPM Flow Disc

Product Specifications:
8" Deck Mount Laboratory Mixing Faucet, Quarter-Turn Eterna Cartridges w/ Spring Checks, 4-Arm Lab Handles, Swivel Adapter, Swivel Vacuum Breaker Nozzle w/ Serrated Tip Outlet w/ 0.5 GPM Flow Control & 1/2" NPT Female Inlets

Product Compliance:
ASME A112.18.1 / CSA B125.1
NSF 61 - Section 9
NSF 372 (Low Lead Content)
ANSI A117.1 (ADA)
ASSE 1001 (VB)