



T&S BRASS AND BRONZE WORKS, INC.
 2 Saddleback Cove / P.O. Box 1088
 Travelers Rest, SC 29690

Model No.
BL-5710-03

Item No.

Travelers Rest, SC: 800-476-4103 • Simi Valley, CA: 800-423-0150 • Fax: 864-834-3518 • www.tsbrass.com

This Space for Architect/Engineer Approval

Job Name _____ Date _____

Model Specified _____ Quantity _____

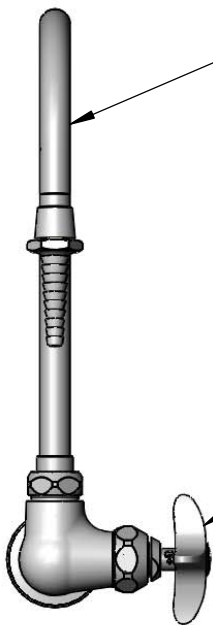
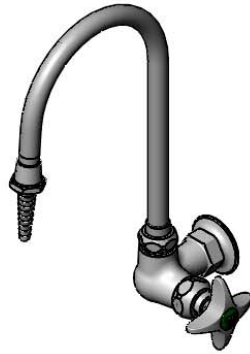
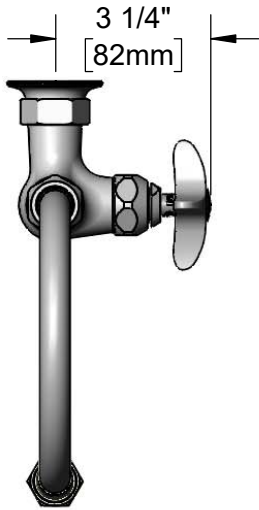
Customer/Wholesaler _____

Contractor _____

Architect/Engineer _____

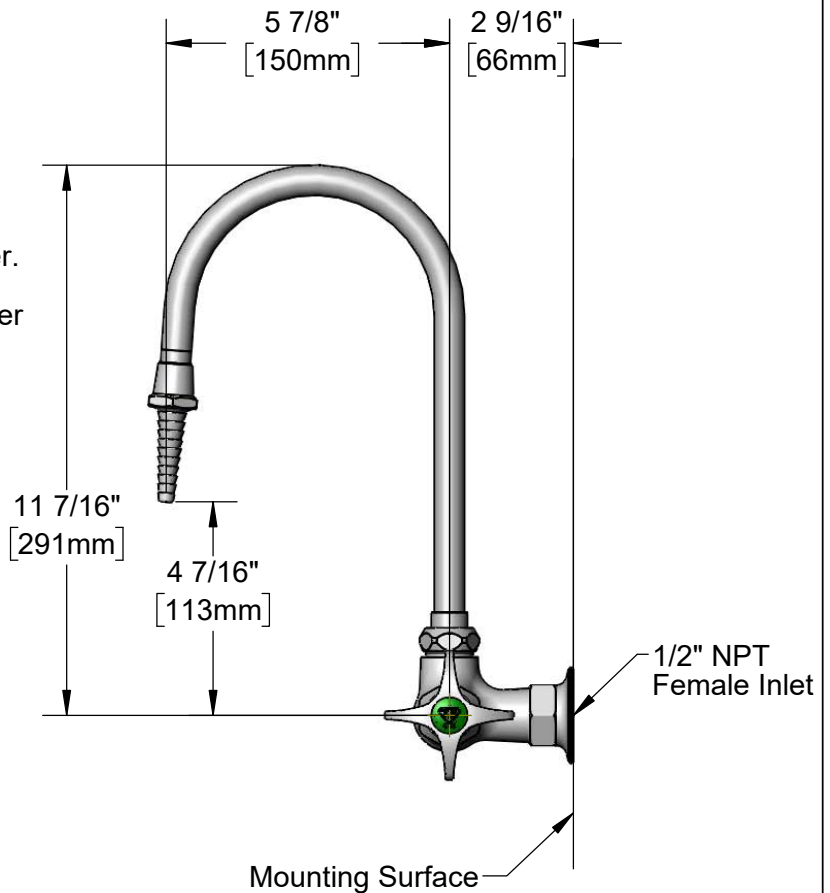


ADA Compliant



5 7/8" Swivel/Rigid
 Gooseneck w/ B-0198
 Serrated Tip w/ Washer.
 Converts to Rigid w/
 014200-45 Lock Washer
 (Included)

Quarter-Turn Eterna
 Cartridge w/ Spring
 Check & 4-Arm Lab
 Handle w/ Color
 Coded Index



Product Specifications:

Single Hole Single Temperature Wall Mount Laboratory Faucet, Quarter-Turn Eterna Cartridge w/ Spring Check, 4-Arm Lab Handle, 5 7/8" Swivel/Rigid Gooseneck, Serrated Tip & 1/2" NPT Female Inlet

Product Compliance:

ASME A112.18.1 / CSA B125.1
 NSF 61 - Section 9
 NSF 372 (Low Lead Content)
 ANSI A117.1 (ADA)



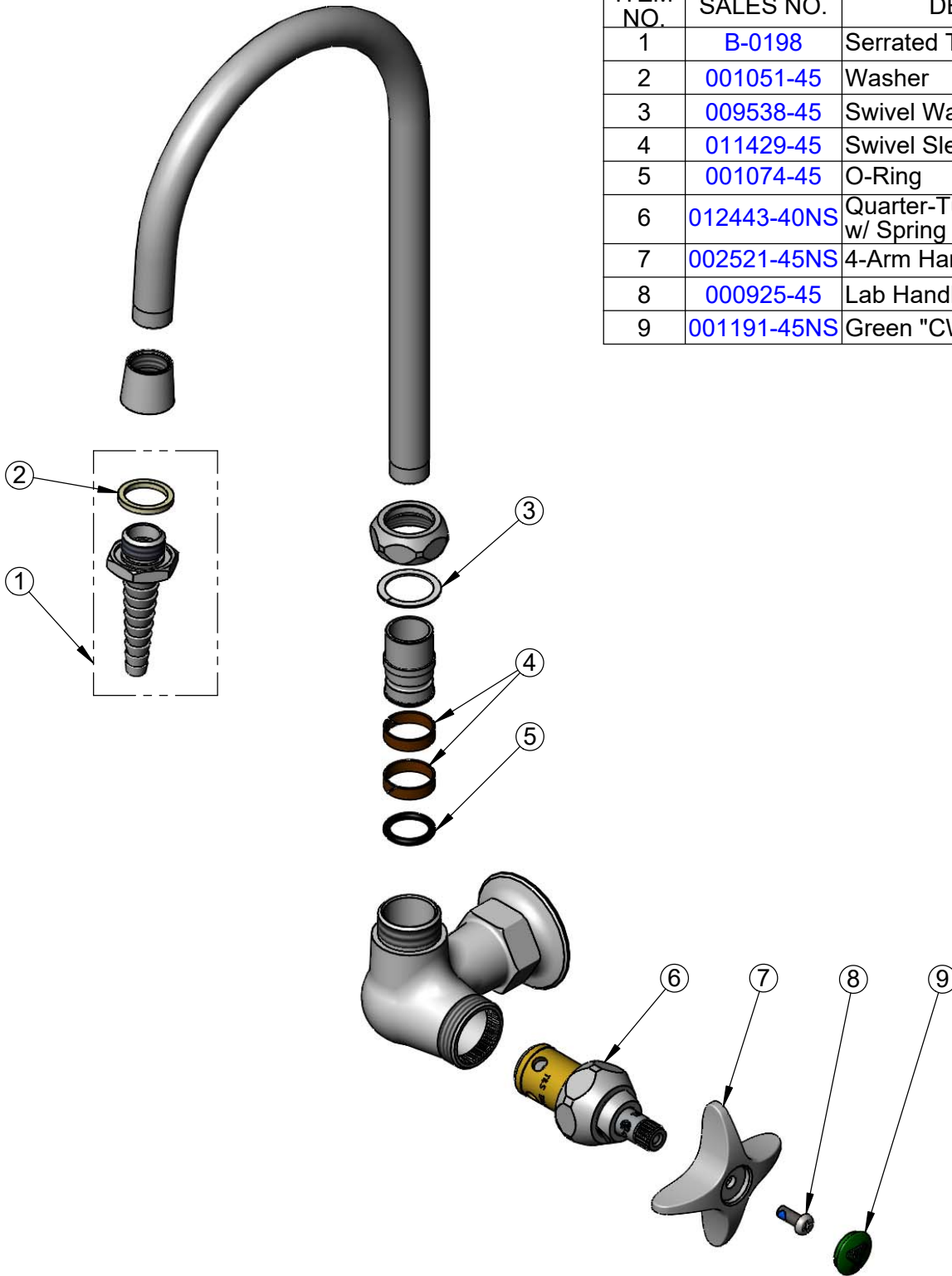
T&S BRASS AND BRONZE WORKS, INC.
 2 Saddleback Cove / P.O. Box 1088
 Travelers Rest, SC 29690

Model No.
BL-5710-03

Item No.

Travelers Rest, SC: 800-476-4103 • Simi Valley, CA: 800-423-0150 • Fax: 864-834-3518 • www.tsbrass.com

ITEM NO.	SALES NO.	DESCRIPTION
1	B-0198	Serrated Tip w/ Washer
2	001051-45	Washer
3	009538-45	Swivel Washer
4	011429-45	Swivel Sleeves (2)
5	001074-45	O-Ring
6	012443-40NS	Quarter-Turn Eterna Cartridge w/ Spring Check, RTC
7	002521-45NS	4-Arm Handle (New Style)
8	000925-45	Lab Handle Screw
9	001191-45NS	Green "CW" Lab Button Index



Product Specifications:
 Single Hole Single Temperature Wall Mount Laboratory Faucet, Quarter-Turn Eterna Cartridge w/ Spring Check, 4-Arm Lab Handle, 5 7/8" Swivel/Rigid Gooseneck, Serrated Tip & 1/2" NPT Female Inlet

Product Compliance:
 ASME A112.18.1 / CSA B125.1
 NSF 61 - Section 9
 NSF 372 (Low Lead Content)
 ANSI A117.1 (ADA)