



T&S BRASS AND BRONZE WORKS, INC.
 2 Saddleback Cove / P.O. Box 1088
 Travelers Rest, SC 29690

Model No.
BL-5709-09

Item No.

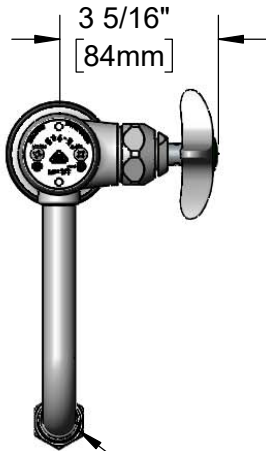
Travelers Rest, SC: 800-476-4103 • Simi Valley, CA: 800-423-0150 • Fax: 864-834-3518 • www.tsbrass.com

This Space for Architect/Engineer Approval

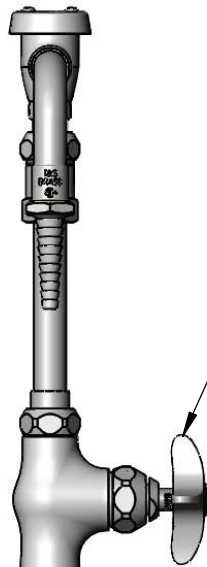
Job Name _____ Date _____
 Model Specified _____ Quantity _____
 Customer/Wholesaler _____
 Contractor _____
 Architect/Engineer _____



ADA Compliant



BL-5560-02
 Swivel Nozzle w/ Vacuum
 Breaker & Serrated Tip w/
 0.5 GPM Flow Control &
 Washer



Quarter-Turn
 Eterna Cartridge
 w/ Spring Check,
 4-Arm Lab Handle &
 Color Coded Index (CW)

12 15/16"
 [328mm]

6 5/8"
 [169mm]

5 11/16"
 [144mm]

B-0968
 3/8" NPT
 Vacuum Breaker

Swivel
 Adapter

2 7/16"
 [61mm]

Ø 2" [51mm]
 Flange w/
 Black Plastic Deck
 Gasket & 1/2" NPSM
 Male Inlet

150A
 Optional Tailpiece &
 Nut For 1/4" NPT
 Connection (Included)

1 1/2"
 [38mm]
 Maximum
 Thickness

Rough-in Requirement:
 Ø 1" [25mm] Hole

Product Specifications:

Single Temperature Lab Faucet w/ Vacuum Breaker Swivel Nozzle, Serrated Tip Outlet w/ 0.5 GPM Flow Control, Quarter-Turn Eterna Cartridge w/ Spring Check, 4-Arm Handle & 1/2" NPSM Male Inlet

Product Compliance:

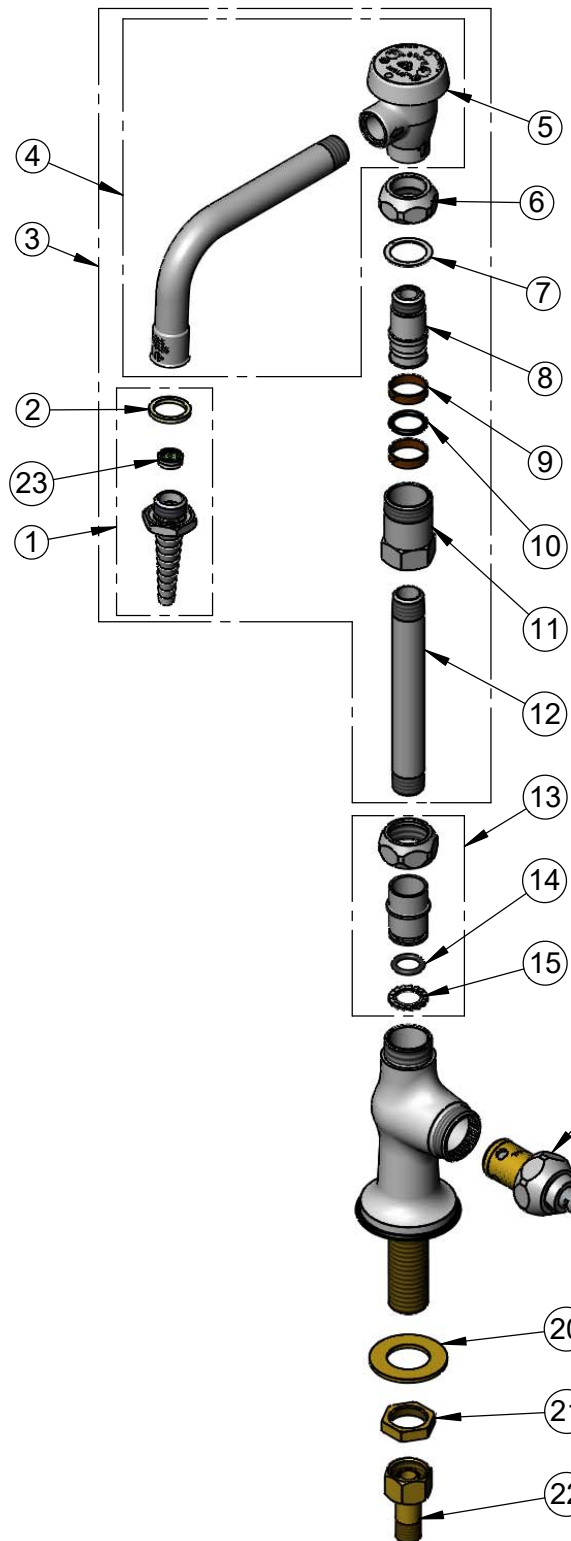
ASME A112.18.1 / CSA B125.1
 NSF 61 - Section 9
 NSF 372 (Low Lead Content)
 ANSI A117.1 (ADA)
 ASSE 1001 (VB)



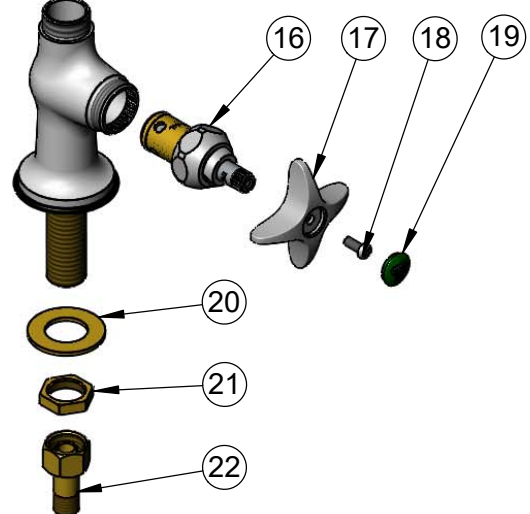
T&S BRASS AND BRONZE WORKS, INC.
 2 Saddleback Cove / P.O. Box 1088
 Travelers Rest, SC 29690

Model No.
BL-5709-09
 Item No.

Travelers Rest, SC: 800-476-4103 • Simi Valley, CA: 800-423-0150 • Fax: 864-834-3518 • www.tsbrass.com



| ITEM NO. | SALES NO. | DESCRIPTION |
|----------|-------------|--|
| 1 | B-0198-FD05 | Serrated Tip w/ 0.5 GPM Flow Disc & Washer |
| 2 | 001051-45 | Washer |
| 3 | BL-5560-02 | Swivel Nozzle w/ Vacuum Breaker & Serrated Tip & 0.5 GPM Flow Disc |
| 4 | 007283-40 | Nozzle w/ Vacuum Breaker |
| 5 | B-0968 | Vacuum Breaker, 3/8" |
| 6 | 000711-40 | Swivel Adapter Nut |
| 7 | 009538-45 | Swivel Washer |
| 8 | 000843-25 | Swivel Body |
| 9 | 011429-45 | Swivel Sleeves (2) |
| 10 | 001074-45 | O-Ring |
| 11 | 054X | Swivel Body |
| 12 | 000361-40 | Nipple, 3/8" NPT x 5" |
| 13 | EZ-K | EasyIntall Kit |
| 14 | 001065-45 | O-ring |
| 15 | 014200-45 | Star Washer, Anti-Rotation |
| 16 | 012443-40NS | Quarter-Turn Eterna Cartridge w/ Spring Check, RTC |
| 17 | 002521-45NS | 4-Arm Handle (New Style) |
| 18 | 000925-45 | Lab Handle Screw |
| 19 | 001191-45NS | Green "CW" Lab Button Index |
| 20 | 000999-45 | Brass Lock Washer |
| 21 | 002954-45 | Shank Lock Nut |
| 22 | 150A | 1/4" NPT Tailpiece |
| 23 | FD05 | Flow Disc, 0.5 GPM [1.9 L/min.] (Lime) |



Product Specifications:
 Single Temperature Lab Faucet w/ Vacuum Breaker Swivel Nozzle, Serrated Tip Outlet w/ 0.5 GPM Flow Control, Quarter-Turn Eterna Cartridge w/ Spring Check, 4-Arm Handle & 1/2" NPSM Male Inlet

Product Compliance:
 ASME A112.18.1 / CSA B125.1
 NSF 61 - Section 9
 NSF 372 (Low Lead Content)
 ANSI A117.1 (ADA)
 ASSE 1001 (VB)