



T&S BRASS AND BRONZE WORKS, INC.

2 Saddleback Cove / P.O. Box 1088
Travelers Rest, SC 29690

Model No.

BL-5709-08WH4

Item No.

Travelers Rest, SC: 800-476-4103 • Simi Valley, CA: 800-423-0150 • Fax: 864-834-3518 • www.tsbrass.com

This Space for Architect/Engineer Approval

Job Name _____ Date _____

Model Specified _____ Quantity _____

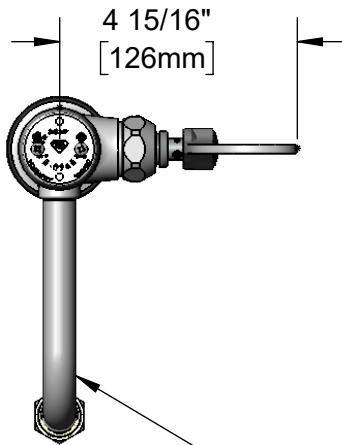
Customer/Wholesaler _____

Contractor _____

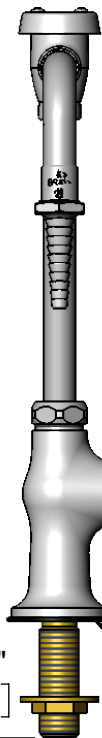
Architect/Engineer _____



ADA Compliant



BL-5560-03
Swivel Nozzle w/ Serrated Tip
w/ 0.5 GPM Flow Control &
Washer. Rigid Conversion
Requires **014200-45** Lock
Washer (Included)



Quarter-Turn
Eterna Cartridge
w/ Spring Check &
4" Wrist Action Handle w/
Color Coded Index (CW)

6 11/16"
[169mm]

2 7/16"
[61mm]

Ø 2" [51mm]
Flange w/
Black Plastic Deck
Gasket & 1/2" NPSM
Male Inlet

12 13/16"
[326mm]

6 1/2"
[166mm]

5 11/16"
[144mm]

B-0968
3/8" NPT
Vacuum Breaker

1 1/2"
[40mm]
Maximum
Thickness

150A
Optional Tailpiece and Nut
For 1/4" NPT Connection
(Included)

Rough-in Requirement:
Ø 1" [25mm] Hole

Product Specifications:

Single Temperature Lab Faucet w/ Swivel/Rigid Vacuum Breaker Nozzle,
Serrated Tip Outlet w/ w/ 0.5 GPM Flow Control, Quarter-Turn Eterna
Cartridge w/ Spring Check, 4" Wrist Action Handle & 1/2" NPSM Male Inlet

Product Compliance:

ASME A112.18.1 / CSA B125.1
NSF 61 - Section 9
NSF 372 (Low Lead Content)
ANSI A117.1 (ADA)
ASSE 1001 (VB)



T&S BRASS AND BRONZE WORKS, INC.

2 Saddleback Cove / P.O. Box 1088
Travelers Rest, SC 29690

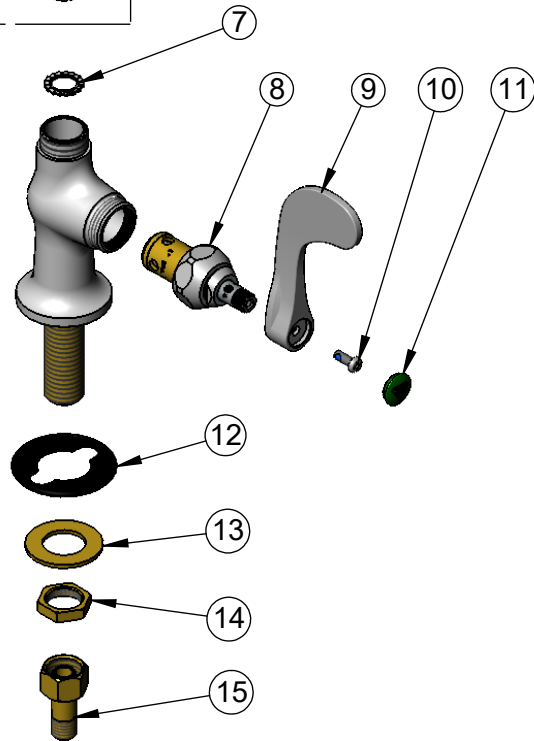
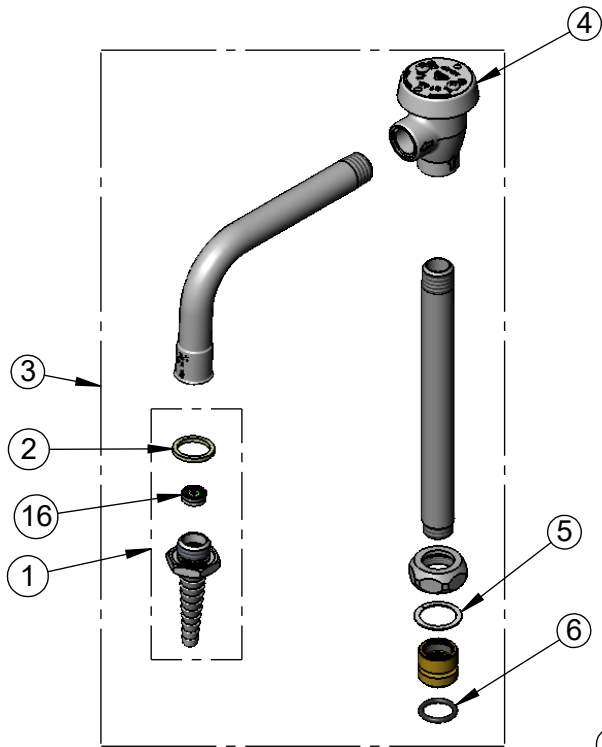
Model No.

BL-5709-08WH4

Item No.

Travelers Rest, SC: 800-476-4103 • Simi Valley, CA: 800-423-0150 • Fax: 864-834-3518 • www.tsbrass.com

ITEM NO.	SALES NO.	DESCRIPTION
1	B-0198-FD05	Serrated Tip w/ 0.5 GPM Flow Disc & Washer
2	001051-45	Washer
3	BL-5560-03	Swivel Vacuum Breaker Nozzle w/ Serrated Tip & 0.5 GPM Flow Disc
4	B-0968	Vacuum Breaker, 3/8"
5	009538-45	Swivel Washer
6	001074-45	O-Ring
7	014200-45	Star Washer, Anti-Rotation
8	012443-40NS	Quarter-Turn Eterna Cartridge w/ Spring Check, RTC
9	B-WH4-NS	Wrist Action Handle - New Style
10	000925-45	Lab Handle Screw
11	001191-45NS	Green "CW" Lab Button Index
12	144L	Black Plastic Gasket
13	000999-45	Brass Lock Washer
14	002954-45	Shank Lock Nut
15	150A	1/4" NPT Tailpiece
16	FD05	Flow Disc, 0.5 GPM [1.9 L/min.] (Lime)



Product Specifications:

Single Temperature Lab Faucet w/ Swivel/Rigid Vacuum Breaker Nozzle, Serrated Tip Outlet w/ w/ 0.5 GPM Flow Control, Quarter-Turn Eterna Cartridge w/ Spring Check, 4" Wrist Action Handle & 1/2" NPSM Male Inlet

Product Compliance:

ASME A112.18.1 / CSA B125.1
NSF 61 - Section 9
NSF 372 (Low Lead Content)
ANSI A117.1 (ADA)
ASSE 1001 (VB)