



T&S BRASS AND BRONZE WORKS, INC.

2 Saddleback Cove / P.O. Box 1088
Travelers Rest, SC 29690

Model No.

BL-5709-05

Item No.

Travelers Rest, SC: 800-476-4103 • Simi Valley, CA: 800-423-0150 • Fax: 864-834-3518 • www.tsbrass.com

This Space for Architect/Engineer Approval

Job Name _____ Date _____

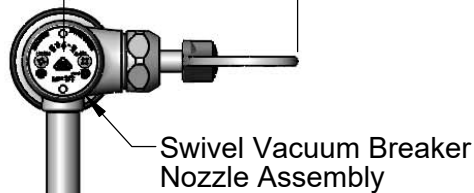
Model Specified _____ Quantity _____

Customer/Wholesaler _____

Contractor _____

Architect/Engineer _____

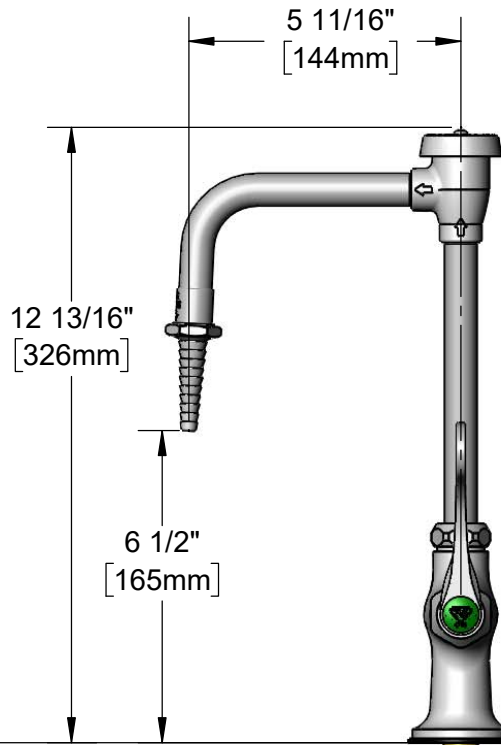
4 7/8"
[124mm]



ADA Compliant

BL-5560-03
Swivel Vacuum Breaker
Nozzle w/ Serrated Tip Outlet
& 0.5 GPM Flow Control.
Converts to Rigid w/
014200-45 Lock Washer
(Included)

Quarter-Turn
Cerama Cartridge
w/ Check Valve,
4" Wrist Action Handle &
Color Coded Index (CW)



5 11/16"
[144mm]

12 13/16"
[326mm]

6 1/2"
[165mm]

6 11/16"
[169mm]

2 7/16"
[61mm]

1/2" NPSM Male Inlet

5 9/16"
[141mm]
Maximum
Thickness

150A
Optional Tailpiece and Nut
For 1/4" NPT Connection
(Included)

Rough-in Requirement:
Ø 1" [25mm] Hole

Product Specifications:

Single Temperature Lab Faucet w/ Quarter-Turn Cerama Cartridge w/ Check Valve, 4" Wrist Action Handle, Vacuum Breaker Swing Nozzle, Serrated Tip Outlet w/ 0.5 GPM Flow Control & 1/2" NPSM Male Inlet

Product Compliance:

ASME A112.18.1 / CSA B125.1
NSF 61 - Section 9
NSF 372 (Low Lead Content)
ANSI A117.1 (ADA)
ASSE 1001 (VB)



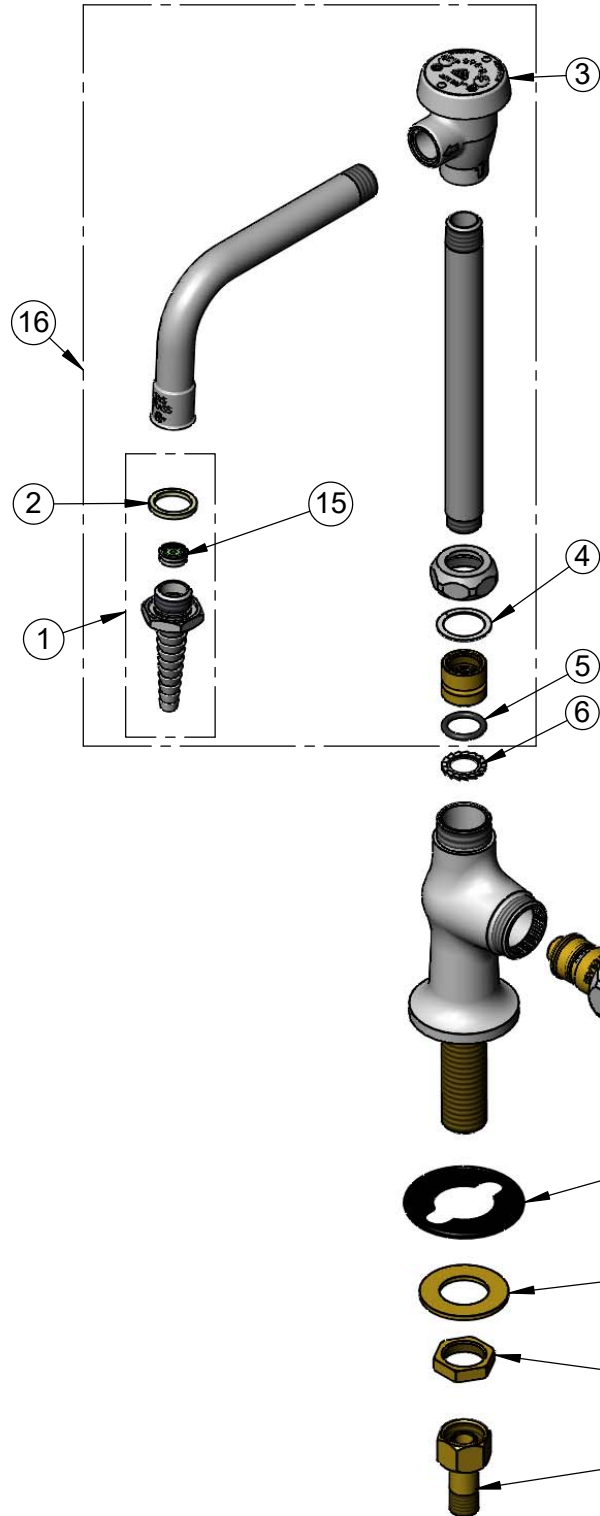
T&S BRASS AND BRONZE WORKS, INC.
 2 Saddleback Cove / P.O. Box 1088
 Travelers Rest, SC 29690

Model No.

BL-5709-05

Item No.

Travelers Rest, SC: 800-476-4103 • Simi Valley, CA: 800-423-0150 • Fax: 864-834-3518 • www.tsbrass.com



ITEM NO.	SALES NO.	DESCRIPTION
1	B-0198-FD05	Serrated Tip w/ 0.5 GPM Flow Control & Washer
2	001051-45	Washer
3	B-0968	Vacuum Breaker, 3/8"
4	009538-45	Swivel Washer
5	001074-45	O-ring
6	014200-45	Star Washer, Anti-Rotation
7	012394-25NS	Quarter-Turn Cerama Cartridge w/ Check Valve, RTC
8	B-WH4-NS	Wrist Action Handle - New Style
9	000925-45	Lab Handle Screw
10	001191-45NS	Green "CW" Lab Button Index
11	144L	Black Plastic Gasket
12	000999-45	Brass Lock Washer
13	002954-45	Shank Lock Nut
14	150A	1/4" NPT Tailpiece
15	FD05	Flow Disc, 0.5 GPM [1.9 L/min.] (Lime)
16	BL-5560-03	Swivel Vacuum Breaker Nozzle w/ Serrated Tip & 0.5 GPM Flow Disc

Product Specifications:
 Single Temperature Lab Faucet w/ Quarter-Turn Cerama Cartridge w/ Check Valve, 4" Wrist Action Handle, Vacuum Breaker Swing Nozzle, Serrated Tip Outlet w/ 0.5 GPM Flow Control & 1/2" NPSM Male Inlet

Product Compliance:
 ASME A112.18.1 / CSA B125.1
 NSF 61 - Section 9
 NSF 372 (Low Lead Content)
 ANSI A117.1 (ADA)
 ASSE 1001 (VB)