



# T&S BRASS AND BRONZE WORKS, INC.

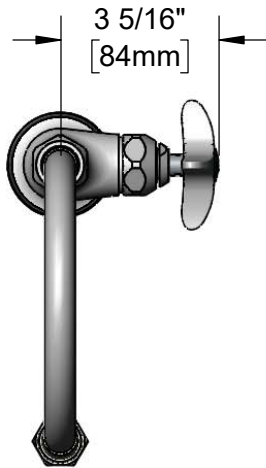
2 Saddleback Cove / P.O. Box 1088  
Travelers Rest, SC 29690

Model No.

**BL-5709-01**

Item No.

Travelers Rest, SC: 800-476-4103 • Simi Valley, CA: 800-423-0150 • Fax: 864-834-3518 • www.tsbrass.com



**ADA Compliant**

This Space for Architect/Engineer Approval

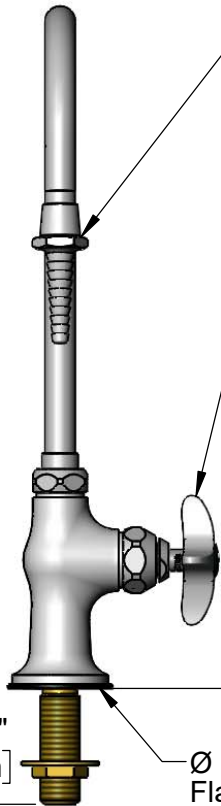
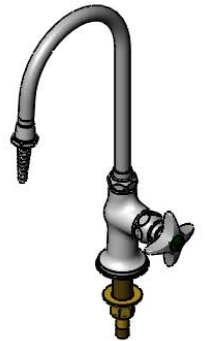
Job Name \_\_\_\_\_ Date \_\_\_\_\_

Model Specified \_\_\_\_\_ Quantity \_\_\_\_\_

Customer/Wholesaler \_\_\_\_\_

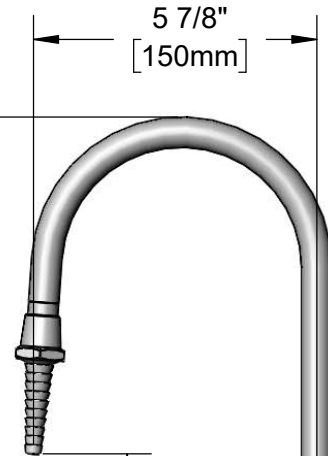
Contractor \_\_\_\_\_

Architect/Engineer \_\_\_\_\_



5 7/8" Swivel/Rigid Gooseneck w/ B-0198 Serrated Tip w/ Washer Rigid Conversion Requires 014200-45 Lock Washer (Included)

Quarter-Turn Eterna Cartridge w/ Spring Check, 4-Arm Lab Handle & Color Coded Index (CW)



7 3/16" [183mm]

2 7/16" [61mm]

Ø 2" [51mm] Flange w/ Black Plastic Deck Gasket & 1/2" NPSM Male Inlet

150A Optional Tailpiece & Nut For 1/4" NPT Connection (Included)

1 1/2" [38mm] Maximum Thickness

Rough-in Requirement:  
Ø 1" [25mm] Hole

Product Specifications:  
Single Temperature Lab Faucet w/ Swivel/Rigid Gooseneck, Serrated Tip Outlet, Quarter-Turn Eterna Cartridge w/ Spring Check, 4-Arm Handle & 1/2" NPSM Male Inlet

Product Compliance:  
ASME A112.18.1 / CSA B125.1  
NSF 61 - Section 9  
NSF 372 (Low Lead Content)  
ANSI A117.1 (ADA)



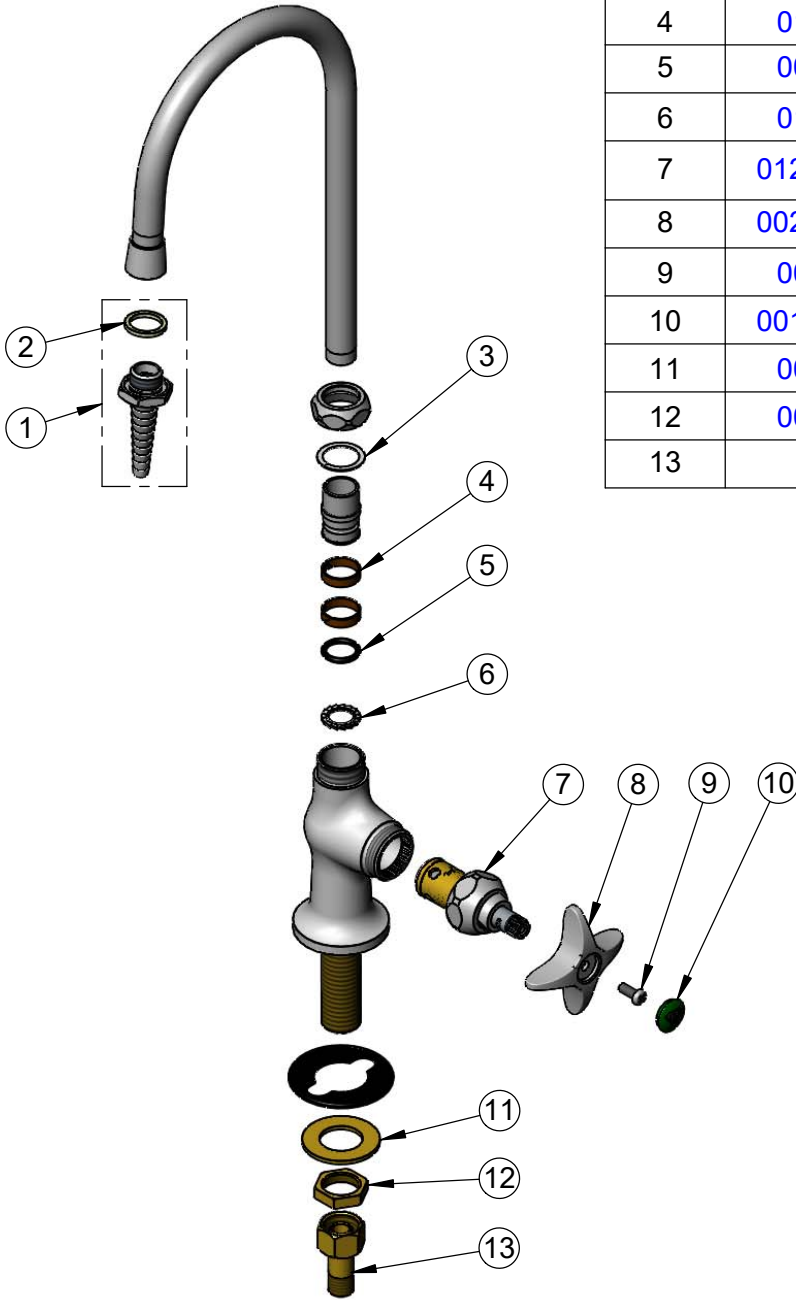
**T&S BRASS AND BRONZE WORKS, INC.**  
 2 Saddleback Cove / P.O. Box 1088  
 Travelers Rest, SC 29690

Model No.  
**BL-5709-01**

Item No.

Travelers Rest, SC: 800-476-4103 • Simi Valley, CA: 800-423-0150 • Fax: 864-834-3518 • www.tsbrass.com

ITEM NO.	SALES NO.	DESCRIPTION
1	B-0198	Serrated Tip
2	001051-45	Washer
3	009538-45	Swivel Washer
4	011429-45	Swivel Sleeves (2)
5	001074-45	O-Ring
6	014200-45	Star Washer, Anti-Rotation
7	012443-40NS	Quarter-Turn Eterna Cartridge w/ Spring Check, RTC
8	002521-45NS	4-Arm Handle (New Style)
9	000925-45	Lab Handle Screw
10	001191-45NS	Green "CW" Lab Button Index
11	000999-45	Brass Lock Washer
12	002954-45	Shank Lock Nut
13	150A	1/4" NPT Tailpiece



Product Specifications:  
 Single Temperature Lab Faucet w/ Swivel/Rigid Gooseneck, Serrated Tip  
 Outlet, Quarter-Turn Eterna Cartridge w/ Spring Check, 4-Arm Handle & 1/2"  
 NPSM Male Inlet

Product Compliance:  
 ASME A112.18.1 / CSA B125.1  
 NSF 61 - Section 9  
 NSF 372 (Low Lead Content)  
 ANSI A117.1 (ADA)