



# T&S BRASS AND BRONZE WORKS, INC.

2 Saddleback Cove / P.O. Box 1088  
Travelers Rest, SC 29690

Model No.

**BL-5707-01CRWH4**

Item No.

Travelers Rest, SC: 800-476-4103 • Simi Valley, CA: 800-423-0150 • Fax: 864-834-3518 • www.tsbrass.com



**ADA Compliant**

This Space for Architect/Engineer Approval

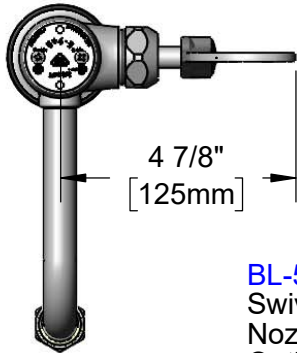
Job Name \_\_\_\_\_ Date \_\_\_\_\_

Model Specified \_\_\_\_\_ Quantity \_\_\_\_\_

Customer/Wholesaler \_\_\_\_\_

Contractor \_\_\_\_\_

Architect/Engineer \_\_\_\_\_



4 7/8"  
[125mm]

**BL-5560-03**

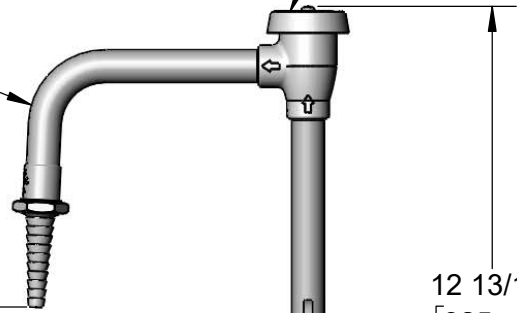
Swivel Vacuum Breaker  
Nozzle w/ Serrated Tip  
Outlet & 0.5 GPM Flow  
Control. Converts to Rigid  
w/ **014200-45** Lock Washer  
(Included)



Quarter-Turn Cerama  
Cartridge w/ Check  
Valve & 4" Wrist  
Action Handle w/ VR  
Handle Screw & Color  
Coded Index

**B-0968**

3/8" NPT  
Vacuum Breaker



12 13/16"  
[325mm]

6 1/2"  
[166mm]

5 11/16"  
[144mm]

Ø 2 3/16"  
[56mm]  
Deck Gasket

2 11/16"  
[68mm]

Mounting  
Surface

2 7/16"  
[61mm]

Ø 2" [51mm]  
Flange w/  
Black Plastic Deck  
Gasket & 1/2" NPSM  
Male Inlet

Brass Balls for  
Vandal Resistance

**150A**

Optional Tailpiece &  
Nut For 1/4" NPT  
Connection (Included)

1 9/16"  
[40mm]  
Maximum  
Thickness

Ø 5/16"  
[8mm]

1 1/4"  
[32mm]

5/8"  
[16mm]

Base Drilling  
Detail

Rough-In Requirement:  
Ø 1" [25mm] Mounting Hole

**Product Specifications:**

Single Hole Single Temperature Deck Mount Vandal Resistant Laboratory  
Faucet, Quarter-Turn Cerama Cartridge w/ Check Valve, 4" Wrist Action  
Handle w/ Vandal Resistant Screw, Swivel/Rigid Vacuum Breaker Nozzle,  
Serrated Tip Outlet w/ 0.5 GPM Flow Control & 1/2" NPSM Male Inlet

**Product Compliance:**

ASME A112.18.1 / CSA B125.1  
NSF 61 - Section 9  
NSF 372 (Low Lead Content)  
ANSI A117.1 (ADA)  
ASSE 1001 (VB)

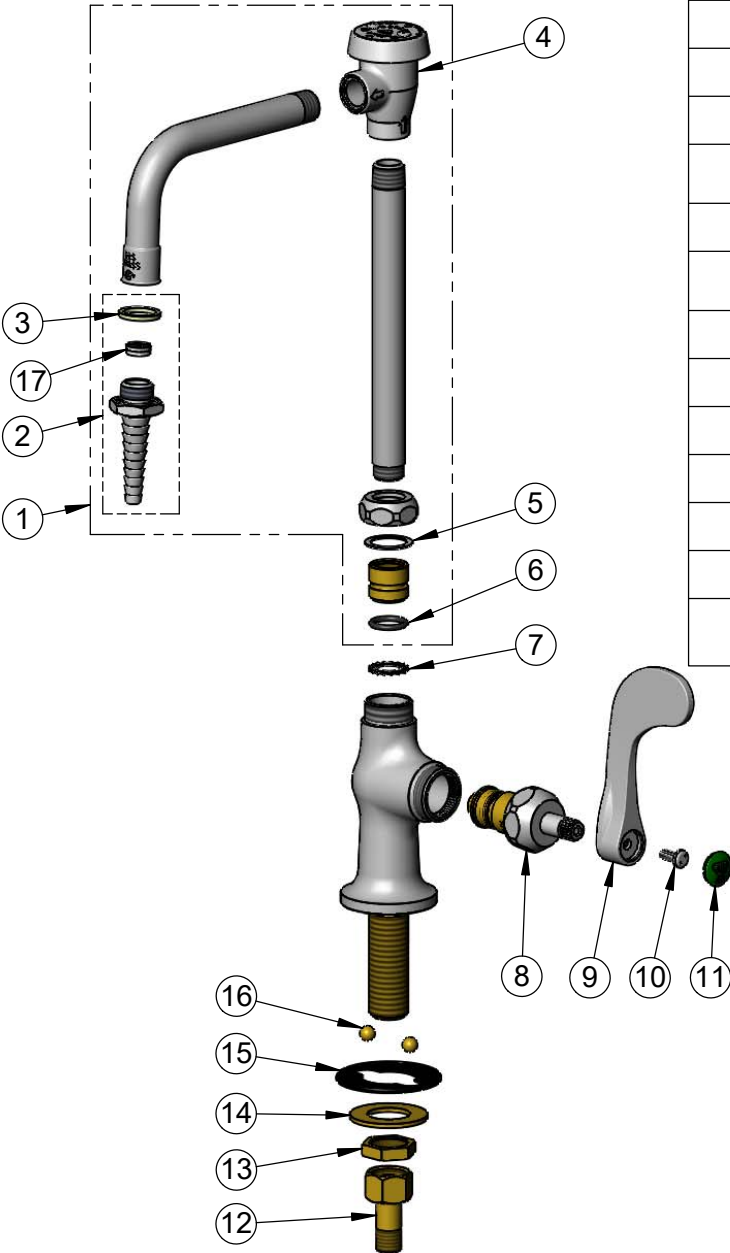


**T&S BRASS AND BRONZE WORKS, INC.**  
 2 Saddleback Cove / P.O. Box 1088  
 Travelers Rest, SC 29690

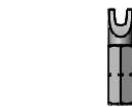
Model No.  
**BL-5707-01CRWH4**

Item No.

Travelers Rest, SC: 800-476-4103 • Simi Valley, CA: 800-423-0150 • Fax: 864-834-3518 • www.tsbrass.com



ITEM NO.	SALES NO.	DESCRIPTION
1	<a href="#">BL-5560-03</a>	Swivel Vacuum Breaker Nozzle w/ Serrated Tip & 0.5 GPM Flow Disc
2	<a href="#">B-0198-FD05</a>	Serrated Tip w/ 0.5 GPM Flow Disc & Washer
3	<a href="#">001051-45</a>	Washer
4	<a href="#">B-0968</a>	3/8" NPT Vacuum Breaker
5	<a href="#">009538-45</a>	Swivel Washer
6	<a href="#">001074-45</a>	O-ring
7	<a href="#">014200-45</a>	Star Washer, Anti-Rotation
8	<a href="#">012394-25NS</a>	Quarter-Turn Cerama Cartridge w/ Check Valve, RTC
9	<a href="#">B-WH4-NS</a>	Wrist Action Handle - New Style
10	<a href="#">VRS-2</a>	VR Wrist Action Handle Screw (2) w/ Spanner Bit
11	<a href="#">001191-45NS</a>	Green "CW" Lab Button Index
12	<a href="#">150A</a>	1/4" NPT Tailpiece & Nut
13	<a href="#">002954-45</a>	Shank Lock Nut
14	<a href="#">000999-45</a>	Brass Lock Washer
15	<a href="#">144L</a>	Black Plastic Deck Gasket
16	<a href="#">001408-45</a>	5/16" Brass Ball
17	<a href="#">FD05</a>	Flow Disc, 0.5 GPM [ 1.9 L/min.] (Lime)



[014075-45](#)  
 #10 Spanner Bit

Product Specifications:  
 Single Hole Single Temperature Deck Mount Vandal Resistant Laboratory Faucet, Quarter-Turn Cerama Cartridge w/ Check Valve, 4" Wrist Action Handle w/ Vandal Resistant Screw, Swivel/Rigid Vacuum Breaker Nozzle, Serrated Tip Outlet w/ 0.5 GPM Flow Control & 1/2" NPSM Male Inlet

Product Compliance:  
 ASME A112.18.1 / CSA B125.1  
 NSF 61 - Section 9  
 NSF 372 (Low Lead Content)  
 ANSI A117.1 (ADA)  
 ASSE 1001 (VB)