



**T&S BRASS AND BRONZE WORKS, INC.**  
 2 Saddleback Cove / P.O. Box 1088  
 Travelers Rest, SC 29690

Model No.  
**BL-5705-09**

Item No.

Travelers Rest, SC: 800-476-4103 • Simi Valley, CA: 800-423-0150 • Fax: 864-834-3518 • www.tsbrass.com

This Space for Architect/Engineer Approval

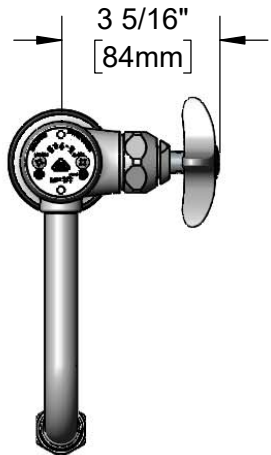
Job Name \_\_\_\_\_ Date \_\_\_\_\_

Model Specified \_\_\_\_\_ Quantity \_\_\_\_\_

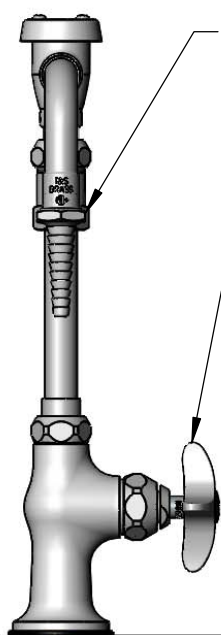
Customer/Wholesaler \_\_\_\_\_

Contractor \_\_\_\_\_

Architect/Engineer \_\_\_\_\_



**ADA Compliant**



**BL-5560-02**  
 Swivel Vacuum Breaker  
 Nozzle w/ Serrated Tip Outlet  
 & 0.5 GPM Flow Control.  
 Converts to Rigid w/  
**014200-45** Lock Washer  
 (Included)

Quarter-Turn  
 Eterna Cartridge  
 w/ Spring Check,  
 4-Arm Lab Handle &  
 Color Coded Index (CW)

2 7/16"  
 [61mm]

Ø 2" [51mm]  
 Flange w/  
 Black Plastic Deck  
 Gasket & 1/2" NPSM  
 Male Inlet

12 15/16"  
 [328mm]

6 5/8"  
 [169mm]

5 11/16"  
 [144mm]

**B-0968**  
 3/8" NPT  
 Vacuum Breaker

Swivel  
 Adapter

1 1/2"  
 [38mm]  
 Maximum  
 Thickness

**150A**  
 Optional Tailpiece &  
 Nut for 1/4" NPT  
 Connection (Included)

Rough-in Requirement:  
 Ø 1" [25mm] Hole

Product Specifications:  
 Single Temperature Lab Faucet w/ Vacuum Breaker Swing Nozzle, Serrated  
 Tip Outlet w/ 0.5 GPM Flow Control, Quarter-Turn Eterna Cartridge w/ Spring  
 Check, 4-Arm Handle & 1/2" NPSM Male Inlet

Product Compliance:  
 ASME A112.18.1 / CSA B125.1  
 NSF 61 - Section 9  
 NSF 372 (Low Lead Content)  
 ANSI A117.1 (ADA)  
 ASSE 1001 (VB)

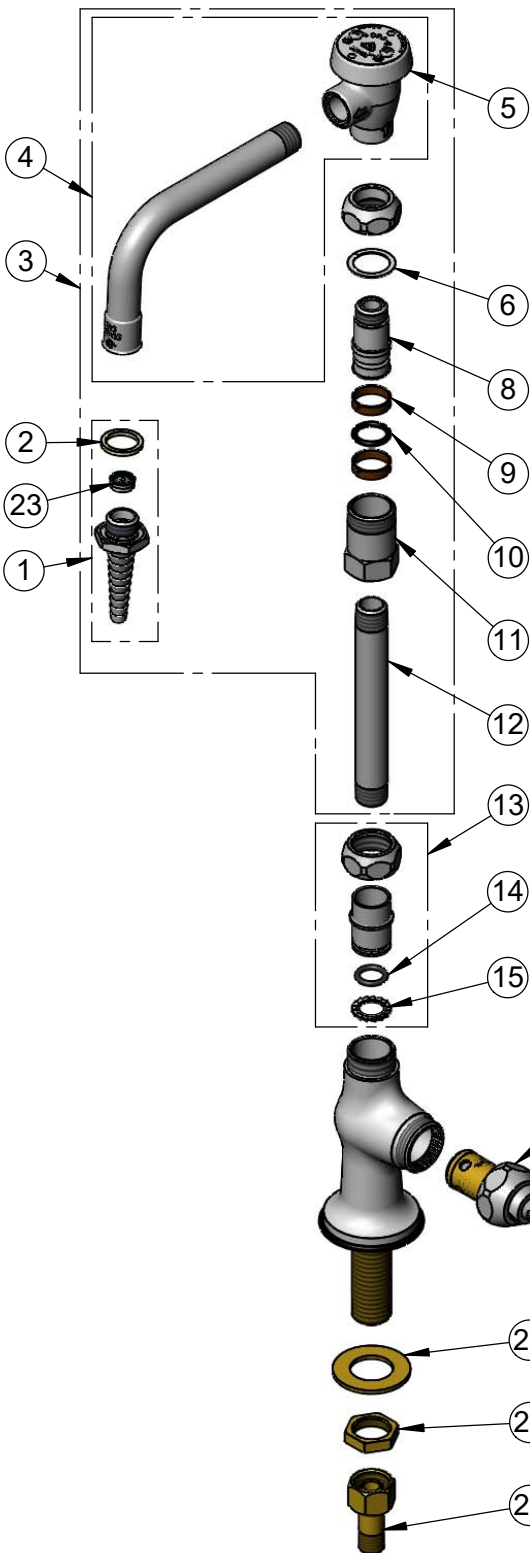


**T&S BRASS AND BRONZE WORKS, INC.**  
 2 Saddleback Cove / P.O. Box 1088  
 Travelers Rest, SC 29690

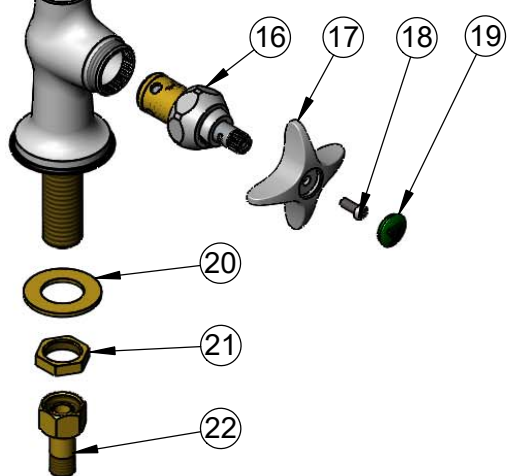
Model No.  
**BL-5705-09**

Item No.

Travelers Rest, SC: 800-476-4103 • Simi Valley, CA: 800-423-0150 • Fax: 864-834-3518 • www.tsbrass.com



ITEM NO.	SALES NO.	DESCRIPTION
1	B-0198-FD05	Serrated Tip w/ 0.5 GPM Flow Disc & Washer
2	001051-45	Washer
3	BL-5560-02	Swing Nozzle w/ Vacuum Breaker & Serated Tip & 0.5 GPM Flow Disc
4	007283-40	Nozzle w/ Vacuum Breaker
5	B-0968	Vacuum Breaker, 3/8"
6	009538-45	Swivel Washer
7	000711-40	Swivel Adapter Nut
8	000843-25	Swivel Body
9	011429-45	Swivel Sleeves (2)
10	001074-45	O-Ring
11	054X	Swivel Body
12	000361-40	Nipple, 3/8" NPT x 5"
13	EZ-K	EasyIntall Kit
14	001065-45	O-ring
15	014200-45	Star Washer, Anti-Rotation
16	012443-40NS	Quarter-Turn Eterna Cartridge w/ Spring Check, RTC
17	002521-45NS	4-Arm Handle (New Style)
18	000925-45	Lab Handle Screw
19	001191-45NS	Green "CW" Lab Button Index
20	000999-45	Brass Lock Washer
21	002954-45	Shank Lock Nut
22	150A	1/4" NPT Tailpiece
23	FD05	Flow Disc, 0.5 GPM [ 1.9 L/min.] (Lime)



**Product Specifications:**  
 Single Temperature Lab Faucet w/ Vacuum Breaker Swing Nozzle, Serrated Tip Outlet w/ 0.5 GPM Flow Control, Quarter-Turn Eterna Cartridge w/ Spring Check, 4-Arm Handle & 1/2" NPSM Male Inlet

**Product Compliance:**  
 ASME A112.18.1 / CSA B125.1  
 NSF 61 - Section 9  
 NSF 372 (Low Lead Content)  
 ANSI A117.1 (ADA)  
 ASSE 1001 (VB)