



T&S BRASS AND BRONZE WORKS, INC.

2 Saddleback Cove / P.O. Box 1088
Travelers Rest, SC 29690

Model No.

BL-5705-08-VR

Item No.

Travelers Rest, SC: 800-476-4103 • Simi Valley, CA: 800-423-0150 • Fax: 864-834-3518 • www.tsbrass.com



ADA Compliant

This Space for Architect/Engineer Approval

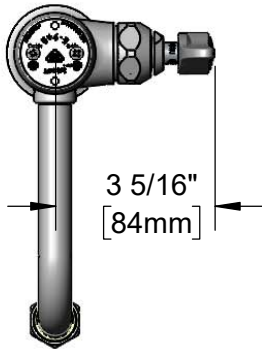
Job Name _____ Date _____

Model Specified _____ Quantity _____

Customer/Wholesaler _____

Contractor _____

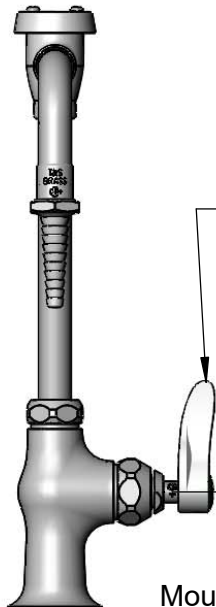
Architect/Engineer _____



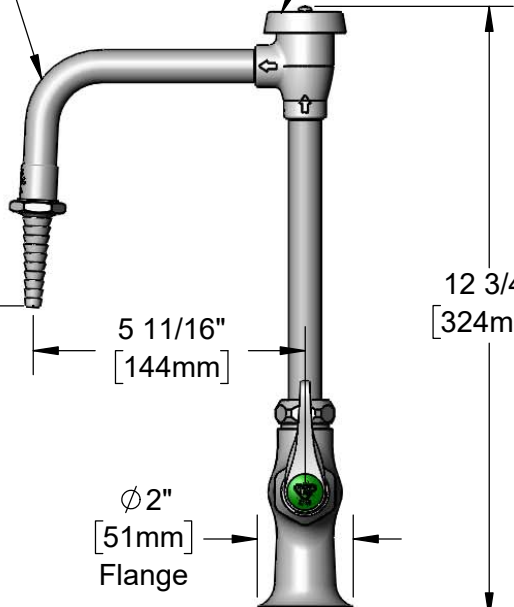
3 5/16"
[84mm]

Swivel Vacuum Breaker Nozzle w/
B-0198-FD05
Serrated Tip Outlet & 0.5 GPM
Flow Control. Converts to Rigid w/
014200-45 Lock Washer (Included)

B-0968
3/8" NPT
Vacuum Breaker



Quarter-Turn Eterna
Cartridge w/ Spring
Check & Lever Handle
w/ VR Handle Screw &
Color Coded Index



12 3/4"
[324mm]

5 11/16"
[144mm]

6 1/2"
[165mm]

Ø2"
[51mm]
Flange

2 5/8"
[67mm]

Mounting
Surface

2 7/16"
[62mm]

Anti-Rotation Screws (2)

1/2" NPSM
Male Inlet

150A
Optional Tailpiece &
Nut For 1/4" NPT
Connection (Included)

1 5/8"
[41mm]
Maximum
Thickness

Ø1/4"
[6mm]

1 1/4"
[32mm]

**Base Drilling
Detail**

5/8"
[16mm]

Rough-In Requirement:
Ø 1" [25mm] Mounting Hole

Product Specifications:

Single Hole Single Temperature Deck Mount Vandal Resistant Laboratory Faucet, Quarter-Turn Eterna Cartridge w/ Spring Check, Lever Handle w/ Vandal Resistant Screw, Swivel/Rigid Vacuum Breaker Nozzle, Serrated Tip Outlet w/ 0.5 GPM Flow Control & 1/2" NPSM Male Inlet

Product Compliance:

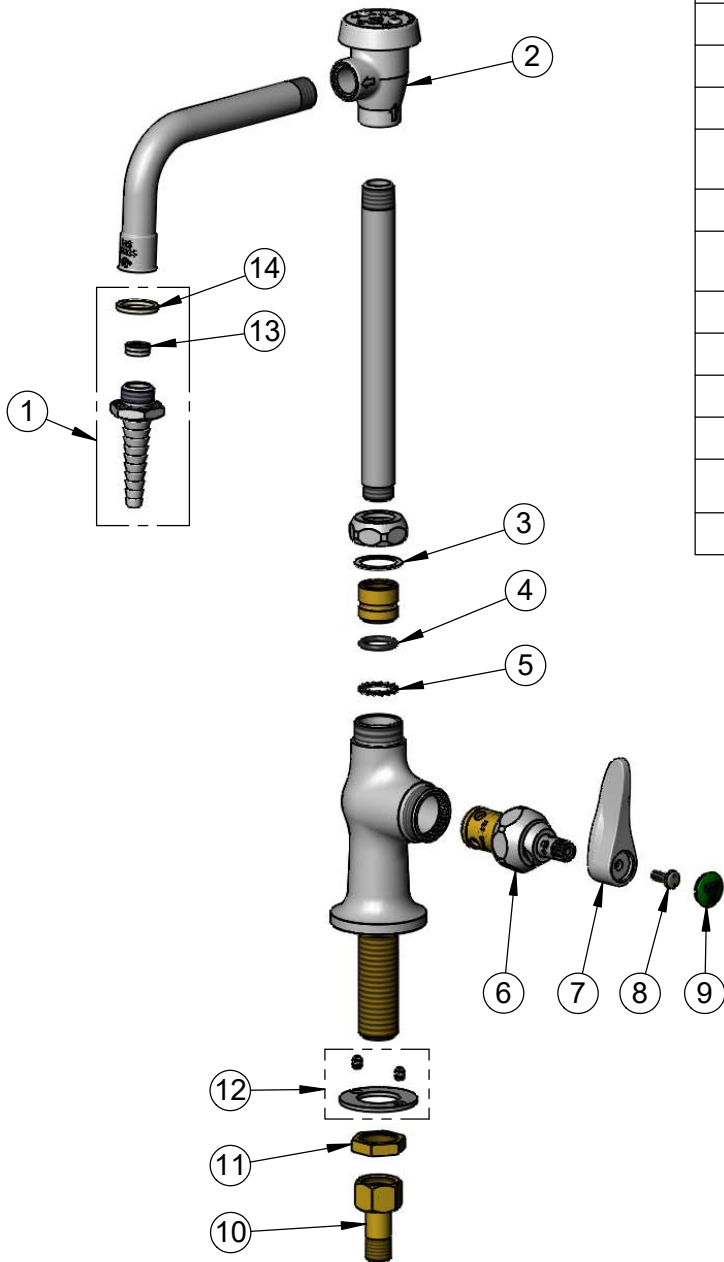
ASME A112.18.1 / CSA B125.1
NSF 61 - Section 9
NSF 372 (Low Lead Content)
ANSI A117.1 (ADA)
ASSE 1001 (VB)



T&S BRASS AND BRONZE WORKS, INC.
 2 Saddleback Cove / P.O. Box 1088
 Travelers Rest, SC 29690

Model No.
BL-5705-08-VR
 Item No.

Travelers Rest, SC: 800-476-4103 • Simi Valley, CA: 800-423-0150 • Fax: 864-834-3518 • www.tsbrass.com



ITEM NO.	SALES NO.	DESCRIPTION
1	B-0198-FD05	Serrated Tip w/ 0.5 GPM Flow Disc & Washer
2	B-0968	3/8" NPT Vacuum Breaker
3	009538-45	Swivel Washer
4	001074-45	O-ring
5	014200-45	Star Washer, Anti-Rotation
6	012443-40NS	Quarter-Turn Eterna Cartridge w/ Spring Check, RTC
7	001638-45NS	Lever Handle (New Style)
8	VRS-2	VR Wrist Action Handle Screw (2) w/ Spanner Bit
9	001191-45NS	Green "CW" Lab Button Index
10	150A	1/4" NPT Tailpiece & Nut
11	002954-45	Shank Lock Nut
12	012698-45	Anti-Rotation Screws (2) & Washer
13	FD05	Flow Disc, 0.5 GPM [1.9 L/min.] (Lime)
14	001051-45	Washer

[014075-45](#)
 #10 Spanner Bit

Product Specifications:
 Single Hole Single Temperature Deck Mount Vandal Resistant Laboratory Faucet, Quarter-Turn Eterna Cartridge w/ Spring Check, Lever Handle w/ Vandal Resistant Screw, Swivel/Rigid Vacuum Breaker Nozzle, Serrated Tip Outlet w/ 0.5 GPM Flow Control & 1/2" NPSM Male Inlet

Product Compliance:
 ASME A112.18.1 / CSA B125.1
 NSF 61 - Section 9
 NSF 372 (Low Lead Content)
 ANSI A117.1 (ADA)
 ASSE 1001 (VB)