



T&S BRASS AND BRONZE WORKS, INC.

2 Saddleback Cove / P.O. Box 1088
Travelers Rest, SC 29690

Model No.

BL-5704-05

Item No.

Travelers Rest, SC: 800-476-4103 • Simi Valley, CA: 800-423-0150 • Fax: 864-834-3518 • www.tsbrass.com



ADA Compliant

This Space for Architect/Engineer Approval

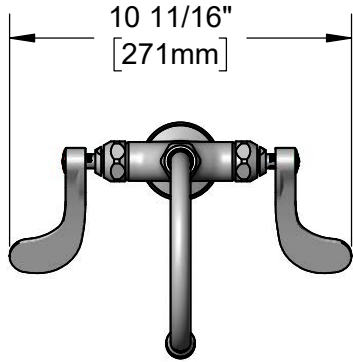
Job Name _____ Date _____

Model Specified _____ Quantity _____

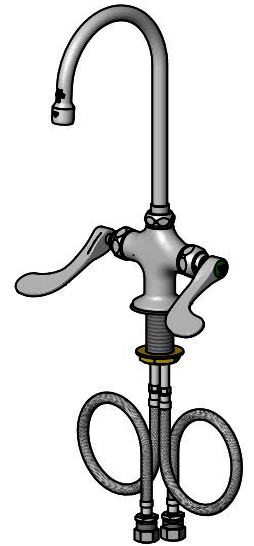
Customer/Wholesaler _____

Contractor _____

Architect/Engineer _____

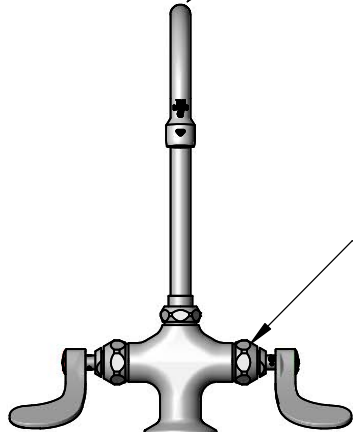


10 11/16"
[271mm]



5 3/4" Swivel/Rigid
Gooseneck w/ B-0199-01
2.2 GPM Aerator. Converts
to Rigid w/ 014200-45
Lock Washer (Included).

5 3/4"
[145mm]



Quarter-Turn
Eterna Cartridges
w/ Spring Checks &
4" Wrist Action
Handles w/ Color
Coded Indexes

13 1/2"
[343mm]

9 1/16"
[231mm]

2 3/8"
[60mm]

Ø 2 7/16"
[62mm]

18" Flexible
Stainless Steel
Supply Hoses

Compression Fittings
for 5/8" O.D. Copper Tubing
(Remove Compression Nut
for 1/2" NPSM Male)

1 7/8"
[48mm]
Maximum
Thickness

Rough-in Requirement:
Ø 1 1/2" [38mm] Mounting Hole

Product Specifications:
Single Hole Deck Mount Mixing Faucet, Quarter-Turn Eterna Cartridges w/
Spring Checks, 5 3/4" Swivel/Rigid Gooseneck w/ 2.2 GPM Aerator, 4" Wrist
Action Handles & 18" Flexible Stainless Steel Supply Hoses w/ 1/2" NPSM
Male Inlets

Product Compliance:
ASME A112.18.1 / CSA B125.1
NSF 61 - Section 9
NSF 372 (Low Lead Content)
ANSI A117.1 (ADA)



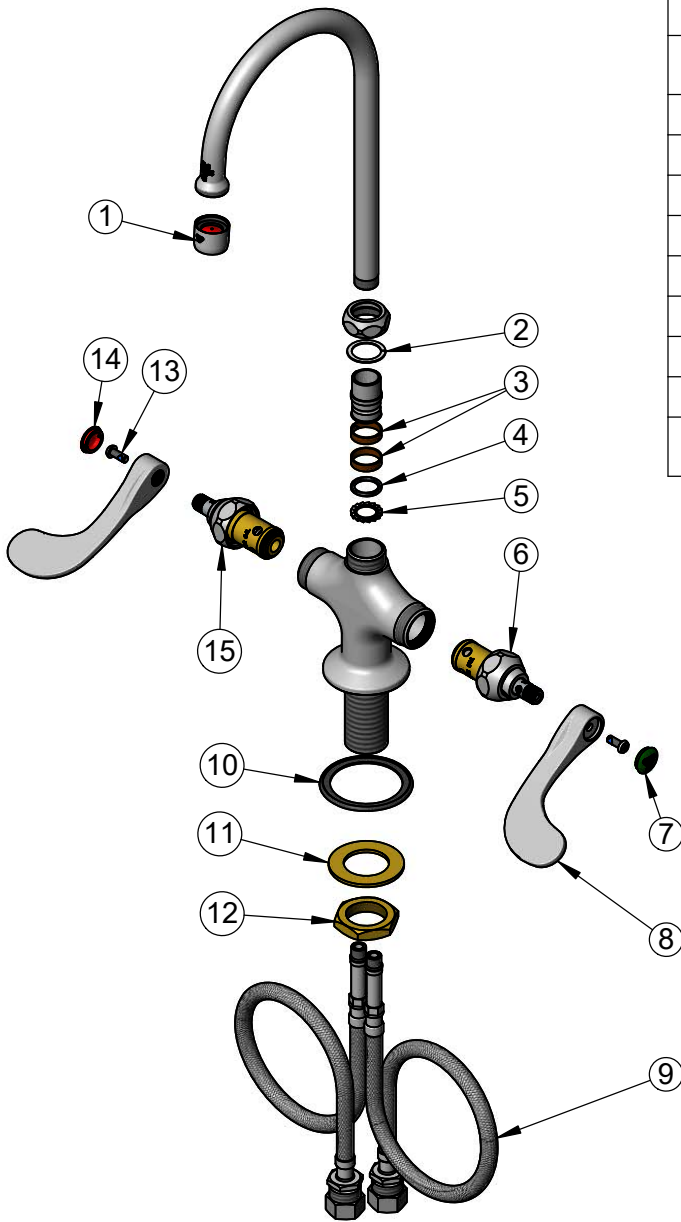
T&S BRASS AND BRONZE WORKS, INC.
 2 Saddleback Cove / P.O. Box 1088
 Travelers Rest, SC 29690

Model No.
BL-5704-05

Item No.

Travelers Rest, SC: 800-476-4103 • Simi Valley, CA: 800-423-0150 • Fax: 864-834-3518 • www.tsbrass.com

ITEM NO.	SALES NO.	DESCRIPTION
1	B-0199-01	2.2 GPM Aerator, 55/64-27 UN Female
2	009538-45	Swivel Washer
3	011429-45	Swivel Sleeves (2)
4	001074-45	O-Ring
5	014200-45	Star Washer, Anti-Rotation
6	012442-40NS	Quarter-Turn Eterna Cartridge w/ Spring Check, LTC
7	001191-45NS	Green "CW" Lab Button Index
8	B-WH4-NS	Wrist Action Handle - New Style
9	012534-45	18" Flexible Supply Hose (2)
10	145L	Black Plastic Gasket
11	002290-45	Lock Washer
12	000965-45	Lock Nut
13	000925-45	Lab Handle Screw
14	001194-45NS	Red "HW" Lab Button Index
15	012443-40NS	Quarter-Turn Eterna Cartridge w/ Spring Check, RTC



Product Specifications:

Single Hole Deck Mount Mixing Faucet, Quarter-Turn Eterna Cartridges w/ Spring Checks, 5 3/4" Swivel/Rigid Gooseneck w/ 2.2 GPM Aerator, 4" Wrist Action Handles & 18" Flexible Stainless Steel Supply Hoses w/ 1/2" NPSM Male Inlets

Product Compliance:

ASME A112.18.1 / CSA B125.1
 NSF 61 - Section 9
 NSF 372 (Low Lead Content)
 ANSI A117.1 (ADA)