



# T&S BRASS AND BRONZE WORKS, INC.

2 Saddleback Cove / P.O. Box 1088  
Travelers Rest, SC 29690

Model No.

**BL-5700-09**

Item No.

Travelers Rest, SC: 800-476-4103 • Simi Valley, CA: 800-423-0150 • Fax: 864-834-3518 • www.tsbrass.com



**ADA Compliant**

This Space for Architect/Engineer Approval

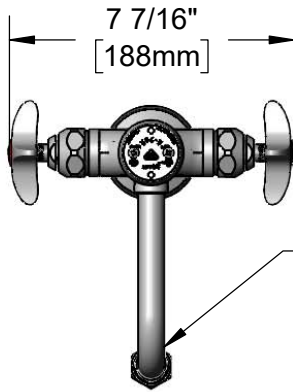
Job Name \_\_\_\_\_ Date \_\_\_\_\_

Model Specified \_\_\_\_\_ Quantity \_\_\_\_\_

Customer/Wholesaler \_\_\_\_\_

Contractor \_\_\_\_\_

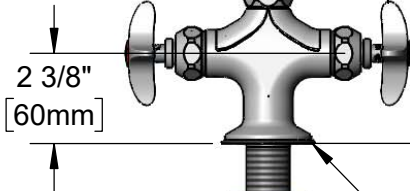
Architect/Engineer \_\_\_\_\_



**BL-5560-02**  
Swivel Nozzle w Vacuum  
Breaker & Serrated Tip Outlet  
w/ 0.5 GPM Flow Control.  
Converts to Rigid w/  
**014200-45** Lock Washer  
(Included)

**B-0968**  
3/8" NPT  
Vacuum Breaker

Quarter-Turn Eterna  
Cartridges w/ Spring  
Checks & 4-Arm  
Handles w/ Color  
Coded Indexes



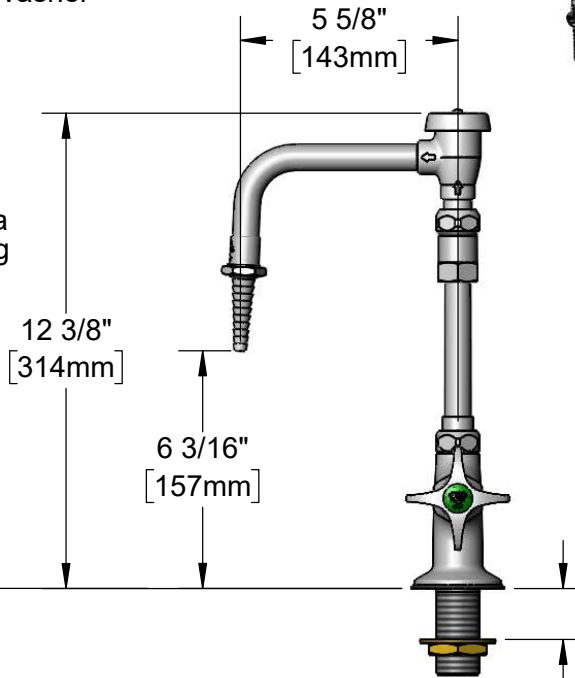
Mounting  
Surface

Ø 2 7/16" [62mm]  
Deck Gasket



18" Flexible  
Stainless Steel  
Supply Hoses

Compression Fittings  
for 5/8" O.D. Copper Tubing  
(Remove Compression Nut  
for 1/2" NPSM Male)



Ø 1 1/8"  
[29mm]

1 5/16"  
[34mm]  
Maximum  
Thickness



Rough-In Requirement:  
Ø 1 1/2" [38mm] Mounting Hole

**Product Specifications:**

Single Hole Deck Mount Mixing Faucet, Quarter-Turn Eterna Cartridges w/ Spring Checks, 4-Arm Handles, 3/8" NPT Vacuum Breaker Swivel Nozzle, Serrated Tip w/ 0.5 GPM Flow Control & 18" Flexible Stainless Steel Supply Hoses w/ 1/2" NPSM Male Inlets

**Product Compliance:**

ASME A112.18.1 / CSA B125.1  
NSF 61 - Section 9  
NSF 372 (Low Lead Content)  
ANSI A117.1 (ADA)  
ASSE 1001 (VB)



# T&S BRASS AND BRONZE WORKS, INC.

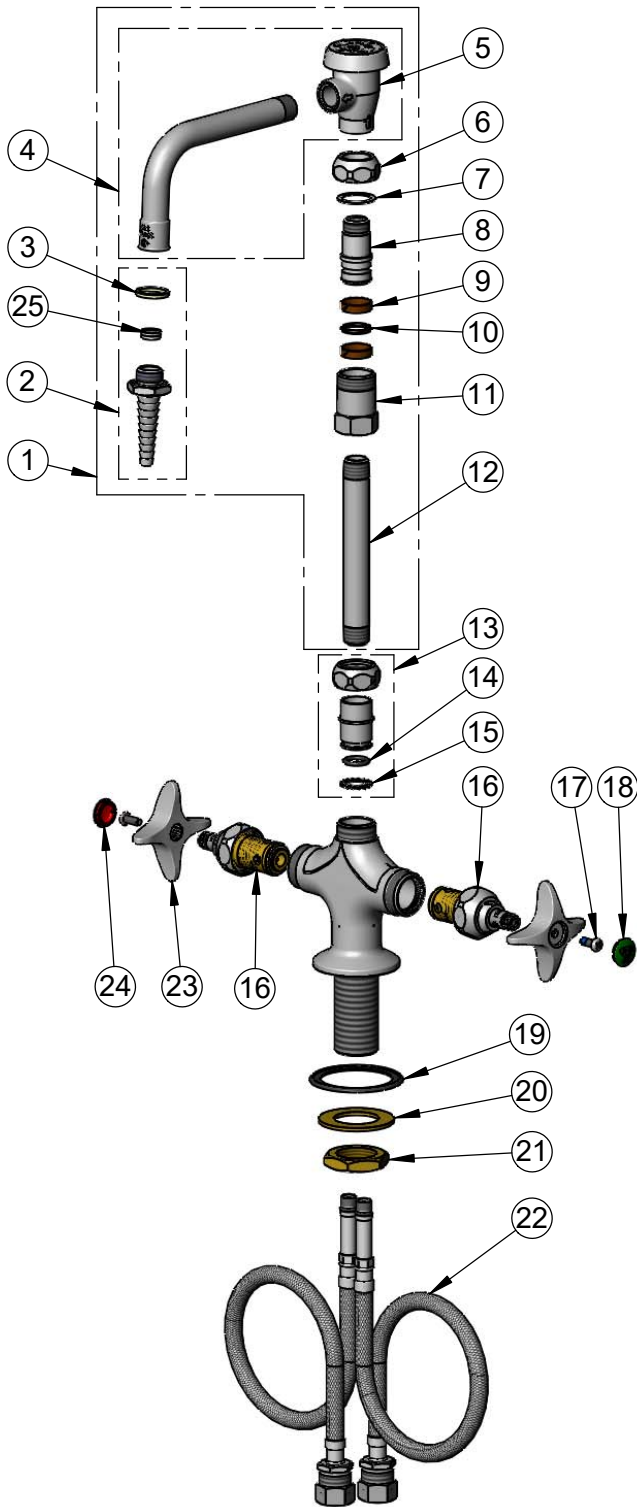
2 Saddleback Cove / P.O. Box 1088  
Travelers Rest, SC 29690

Model No.

**BL-5700-09**

Item No.

Travelers Rest, SC: 800-476-4103 • Simi Valley, CA: 800-423-0150 • Fax: 864-834-3518 • www.tsbrass.com



ITEM NO.	SALES NO.	DESCRIPTION
1	BL-5560-02	Swivel Nozzle w/ Vacuum Breaker & Serrated Tip w/ 0.5 GPM Flow Disc
2	B-0198-FD05	Serrated Tip w/ 0.5 GPM Flow Disc & Washer
3	001051-45	Washer
4	007283-40	Nozzle w/ Vacuum Breaker
5	B-0968	3/8" NPT Vacuum Breaker
6	000711-40	Swivel Adapter Nut
7	009538-45	Swivel Washer
8	000843-25	Swivel Body
9	011429-45	Swivel Sleeves (2)
10	001074-45	O-Ring
11	054X	Swivel Body
12	000361-40	Nipple, 3/8" NPT x 5"
13	EZ-K	EasyInstall Kit
14	001065-45	O-ring
15	014200-45	Star Washer, Anti-Rotation
16	012443-40NS	Quarter-Turn Eterna Cartridge w/ Spring Check, RTC
17	000925-45	Lab Handle Screw
18	001191-45NS	Green "CW" Lab Button Index
19	145L	Black Plastic Gasket
20	002290-45	Lock Washer
21	000965-45	Lock Nut
22	012534-45	18" Flexible Supply Hose (2)
23	002521-45NS	4-Arm Handle (New Style)
24	001194-45NS	Red "HW" Lab Button Index
25	FD05	Flow Disc, 0.5 GPM [ 1.9 L/min.] (Lime)

**Product Specifications:**

Single Hole Deck Mount Mixing Faucet, Quarter-Turn Eterna Cartridges w/ Spring Checks, 4-Arm Handles, 3/8" NPT Vacuum Breaker Swivel Nozzle, Serrated Tip w/ 0.5 GPM Flow Control & 18" Flexible Stainless Steel Supply Hoses w/ 1/2" NPSM Male Inlets

**Product Compliance:**

ASME A112.18.1 / CSA B125.1  
NSF 61 - Section 9  
NSF 372 (Low Lead Content)  
ANSI A117.1 (ADA)  
ASSE 1001 (VB)