



# T&S BRASS AND BRONZE WORKS, INC.

2 Saddleback Cove / P.O. Box 1088  
Travelers Rest, SC 29690

Model No.

**BL-5700-08-VR**

Item No.

Travelers Rest, SC: 800-476-4103 • Simi Valley, CA: 800-423-0150 • Fax: 864-834-3518 • www.tsbrass.com



**ADA Compliant**

This Space for Architect/Engineer Approval

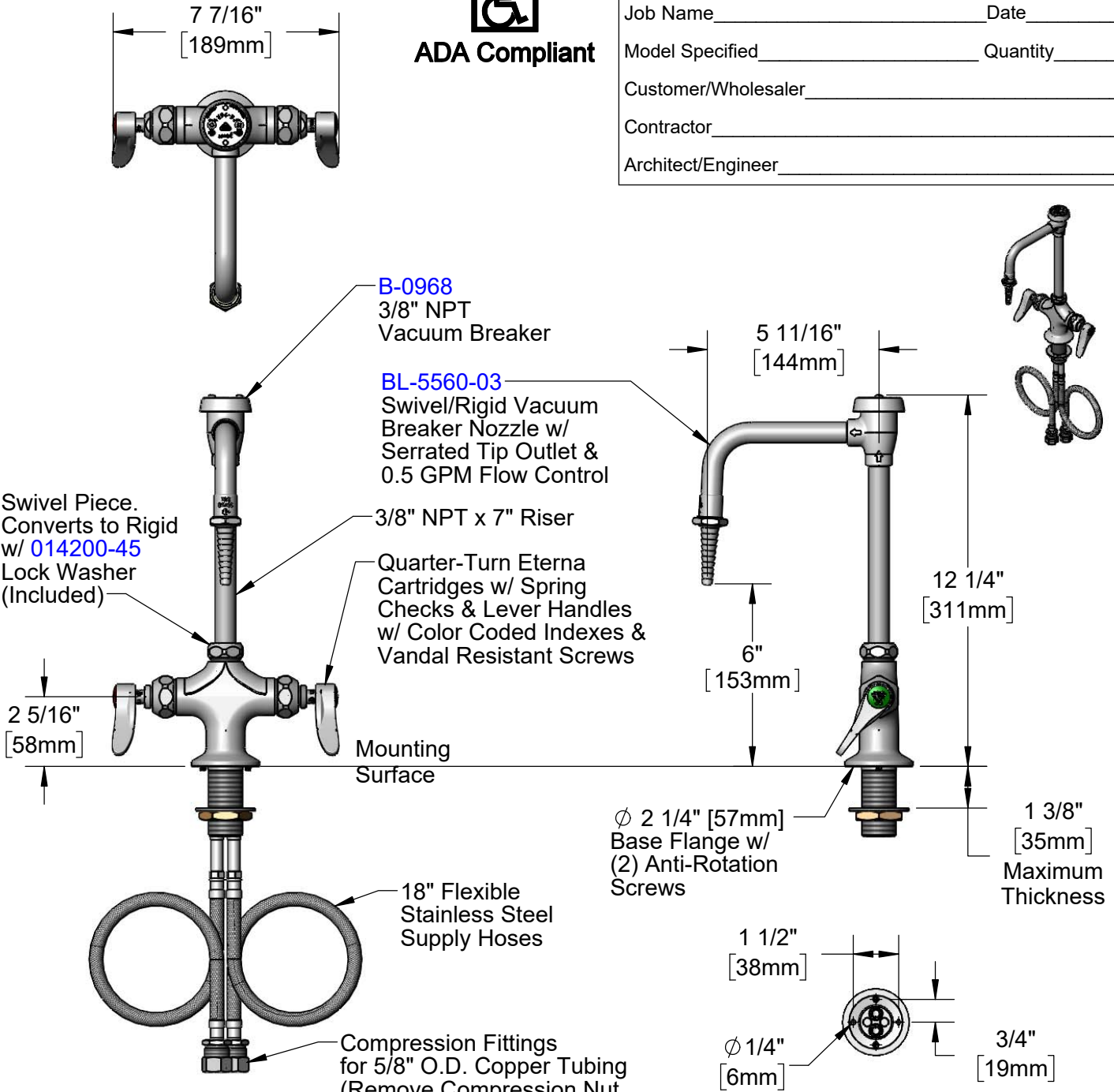
Job Name \_\_\_\_\_ Date \_\_\_\_\_

Model Specified \_\_\_\_\_ Quantity \_\_\_\_\_

Customer/Wholesaler \_\_\_\_\_

Contractor \_\_\_\_\_

Architect/Engineer \_\_\_\_\_



**Bottom View  
VR Pin Hole Pattern**

**Rough-In Requirement:**  
φ 1 1/2" [38mm] Mounting Hole  
(2) φ 1/4" [6mm] Anti-Rotation Holes

**Product Specifications:**  
Single Hole Deck Mount Laboratory Mixing Faucet, Quarter-Turn Eterna Cartridges w/ Spring Checks, Swivel/Rigid Nozzle w/ Serrated Tip Outlet & 0.5 GPM Flow Control, 3/8" NPT Vacuum Breaker, Lever Handles, VR Screws & 18" Flexible Stainless Steel Supply Hoses w/ 1/2" NPSM Male Inlets

**Product Compliance:**  
ASME A112.18.1 / CSA B125.1  
NSF 61 - Section 9  
NSF 372 (Low Lead Content)  
ASSE 1001 (VB)  
ANSI A117.1 (ADA)



# T&S BRASS AND BRONZE WORKS, INC.

2 Saddleback Cove / P.O. Box 1088  
Travelers Rest, SC 29690

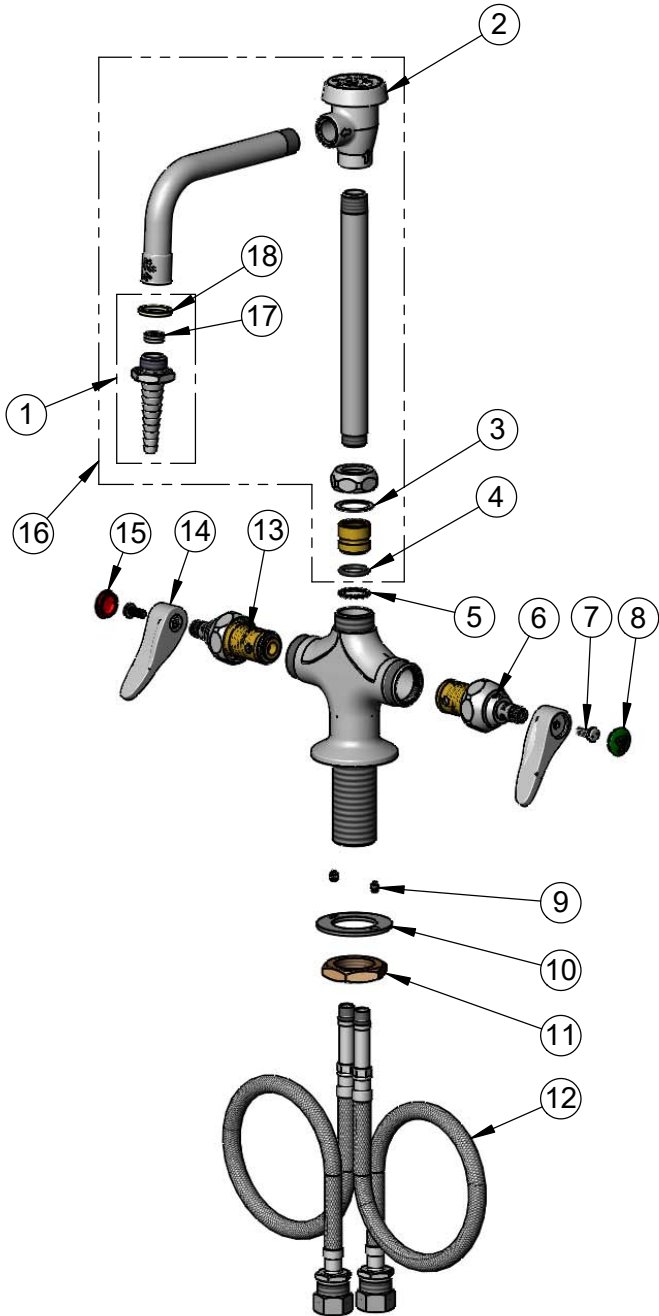
Model No.

**BL-5700-08-VR**

Item No.

Travelers Rest, SC: 800-476-4103 • Simi Valley, CA: 800-423-0150 • Fax: 864-834-3518 • www.tsbrass.com

ITEM NO.	SALES NO.	DESCRIPTION
1	<a href="#">B-0198-FD05</a>	Serrated Tip w/ 0.5 GPM Flow Disc & Washer
2	<a href="#">B-0968</a>	3/8" NPT Vacuum Breaker
3	<a href="#">009538-45</a>	Swivel Washer
4	<a href="#">001074-45</a>	O-ring
5	<a href="#">014200-45</a>	Star Washer, Anti-Rotation
6	<a href="#">012442-40NS</a>	Quarter-Turn Eterna Cartridge w/ Spring Check, LTC
7	<a href="#">VRS-2</a>	VR Wrist Action Handle Screw (2) w/ Spanner Bit
8	<a href="#">001191-45NS</a>	Green "CW" Lab Button Index
9	<a href="#">012698-45</a>	Anti-Rotation Screw (2)
10	<a href="#">013039-20</a>	Washer, VR Shank
11	<a href="#">000965-45</a>	Lock Nut
12	<a href="#">012534-45</a>	18" Flexible Supply Hose (2)
13	<a href="#">012443-40NS</a>	Quarter-Turn Eterna Cartridge w/ Spring Check, RTC
14	<a href="#">001638-45NS</a>	Lever Handle (New Style)
15	<a href="#">001194-45NS</a>	Red "HW" Lab Button Index
16	<a href="#">BL-5560-03</a>	Swivel Vacuum Breaker w/ Serrated Tip Outlet
17	<a href="#">FD05</a>	Flow Disc, 0.5 GPM [ 1.9 L/min.] (Lime)
18	<a href="#">001051-45</a>	Washer



[014075-45](#)  
VR Spanner Bit

**Product Specifications:**

Single Hole Deck Mount Laboratory Mixing Faucet, Quarter-Turn Eterna Cartridges w/ Spring Checks, Swivel/Rigid Nozzle w/ Serrated Tip Outlet & 0.5 GPM Flow Control, 3/8" NPT Vacuum Breaker, Lever Handles, VR Screws & 18" Flexible Stainless Steel Supply Hoses w/ 1/2" NPSM Male Inlets

**Product Compliance:**

ASME A112.18.1 / CSA B125.1  
NSF 61 - Section 9  
NSF 372 (Low Lead Content)  
ASSE 1001 (VB)  
ANSI A117.1 (ADA)