



T&S BRASS AND BRONZE WORKS, INC.

2 Saddleback Cove / P.O. Box 1088
Travelers Rest, SC 29690

Model No.

BL-5550-30

Item No.

Travelers Rest, SC: 800-476-4103 • Simi Valley, CA: 800-423-0150 • Fax: 864-834-3518 • www.tsbrass.com

This Space for Architect/Engineer Approval

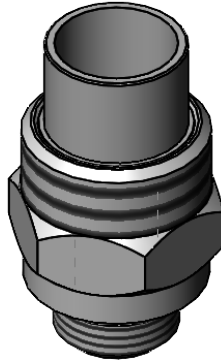
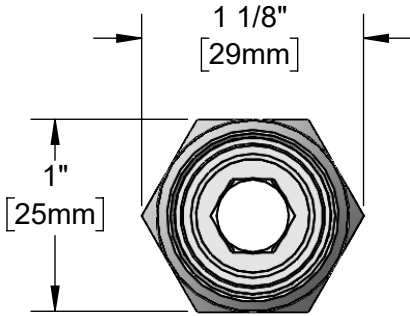
Job Name _____ Date _____

Model Specified _____ Quantity _____

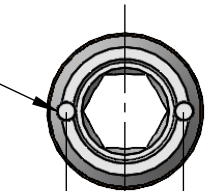
Customer/Wholesaler _____

Contractor _____

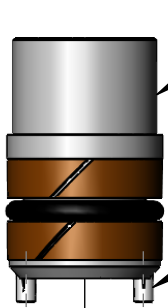
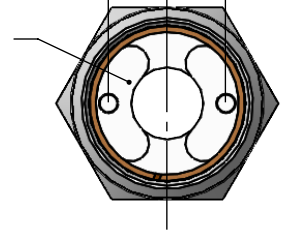
Architect/Engineer _____



Restrictor Pins
On Bottoms of
Swivel Piece

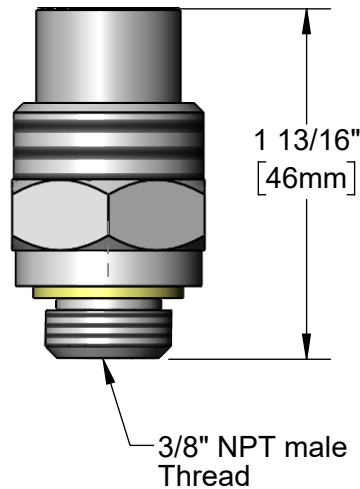
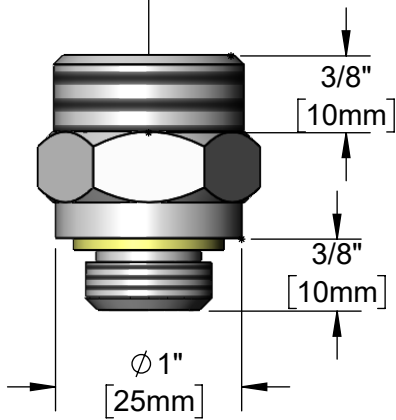


Machine Cut
Depressions
On Inside of
Adapter Piece



Swivel Piece Must Be
Used in Conjunction with
BL-5550-30 Adapter to
Achieve Nozzle Swing
Restriction

Restrictor Pins Insert Into
Machine Cut Depression in
Adapter Piece, Restricting
Nozzle Swing to 100 Deg



Product Specifications:

Chrome Plated Brass 1-20 UN Male x 3/8" NPT Male Rigid to
Restricted Swivel Adapter and Bonnet Washer

Product Compliance:

NSF 61 - Section 9
NSF 372 (Low Lead Content)



T&S BRASS AND BRONZE WORKS, INC.

2 Saddleback Cove / P.O. Box 1088
Travelers Rest, SC 29690

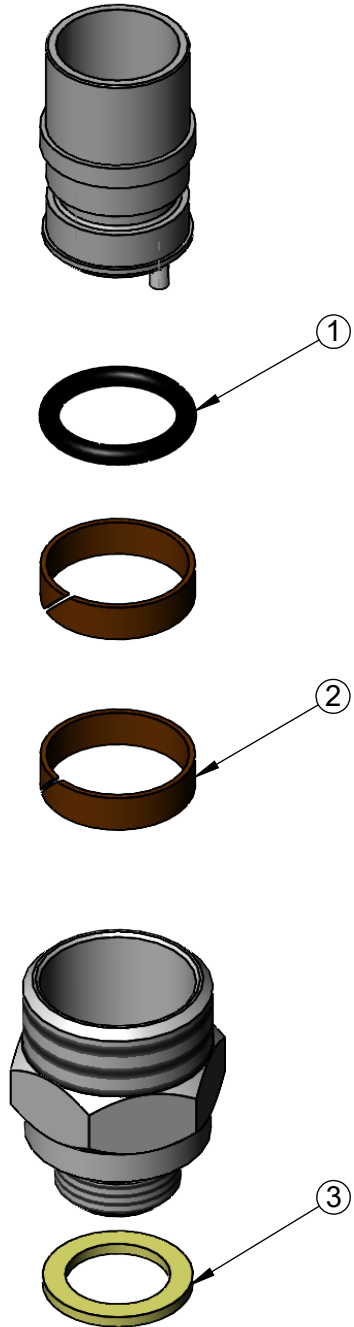
Model No.

BL-5550-30

Item No.

Travelers Rest, SC: 800-476-4103 • Simi Valley, CA: 800-423-0150 • Fax: 864-834-3518 • www.tsbrass.com

ITEM NO.	SALES NO.	DESCRIPTION
1	001074-45	O-Ring
2	011429-45	Swivel Sleeves (2)
3	001043-45	Washer



Product Specifications:

Chrome Plated Brass 1-20 UN Male x 3/8" NPT Male Rigid to Restricted Swivel Adapter and Bonnet Washer

Product Compliance:

NSF 61 - Section 9
NSF 372 (Low Lead Content)