



T&S BRASS AND BRONZE WORKS, INC.
 2 Saddleback Cove / P.O. Box 1088
 Travelers Rest, SC 29690

Model No.

BL-4750-06

Item No.

Travelers Rest, SC: 800-476-4103 • Simi Valley, CA: 800-423-0150 • Fax: 864-834-3518 • www.tsbrass.com

This Space for Architect/Engineer Approval

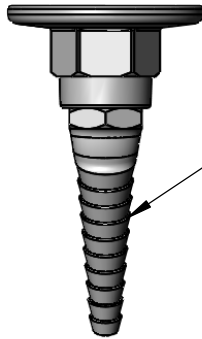
Job Name _____ Date _____

Model Specified _____ Quantity _____

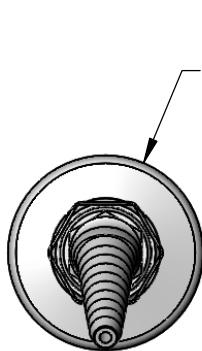
Customer/Wholesaler _____

Contractor _____

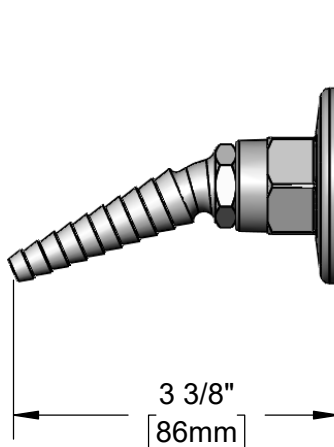
Architect/Engineer _____



Angled Serrated Tip
 Accepts 1/4" to 3/8"
 ID Hoses



Ø 2"
 [52mm]
 Panel Flange



3/8" NPT
 Female Inlet

Mounting
 Surface

3 3/8"
 [86mm]

Product Specifications:
 Laboratory Panel Flange w/ Angled Serrated Tip & 3/8" NPT Female Inlet

Product Compliance:
 NSF 61 Exempt (Non-Potable)