



T&S BRASS AND BRONZE WORKS, INC.
 2 Saddleback Cove / P.O. Box 1088
 Travelers Rest, SC 29690

Model No.
BL-4750-05

Item No.

Travelers Rest, SC: 800-476-4103 • Simi Valley, CA: 800-423-0150 • Fax: 864-834-3518 • www.tsbrass.com

This Space for Architect/Engineer Approval

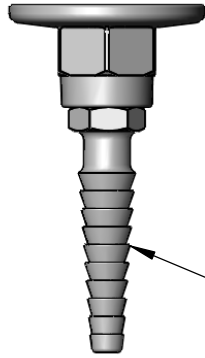
Job Name _____ Date _____

Model Specified _____ Quantity _____

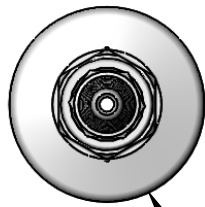
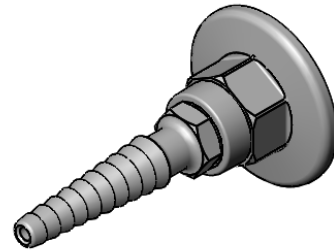
Customer/Wholesaler _____

Contractor _____

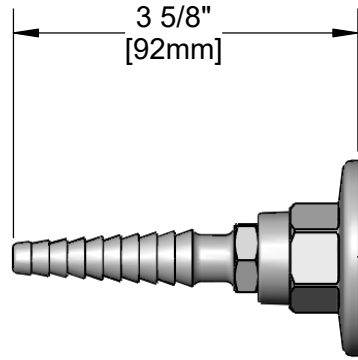
Architect/Engineer _____



Serrated Tip Accepts
 1/4" to 3/8" ID Hoses



Ø 2" [51mm]
 Panel Flange



3 5/8"
 [92mm]

3/8" NPT
 Female Inlet

Mounting Surface

Product Specifications:
 Laboratory Panel Flange w/ Straight Serrated Tip & 3/8" NPT Female Inlet

Product Compliance:
 NSF 61 Exempt (Non-Potable)