



T&S BRASS AND BRONZE WORKS, INC.
 2 Saddleback Cove / P.O. Box 1088
 Travelers Rest, SC 29690

Model No.

BL-4750-01

Item No.

Travelers Rest, SC: 800-476-4103 • Simi Valley, CA: 800-423-0150 • Fax: 864-834-3518 • www.tsbrass.com

This Space for Architect/Engineer Approval

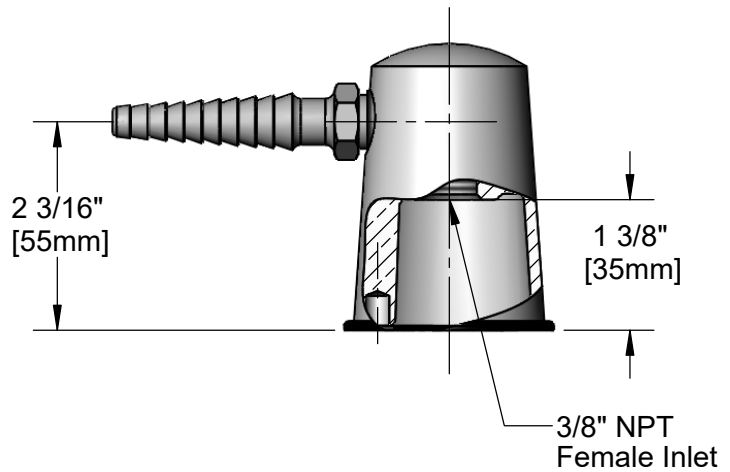
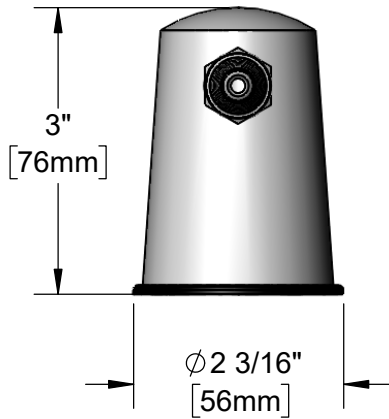
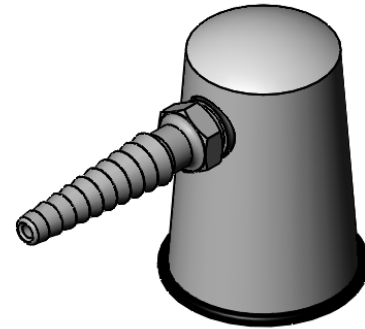
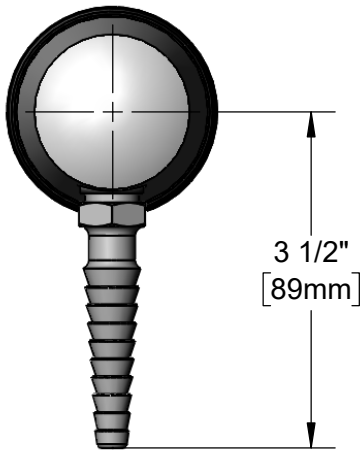
Job Name _____ Date _____

Model Specified _____ Quantity _____

Customer/Wholesaler _____

Contractor _____

Architect/Engineer _____



Product Specifications:
 Turret Assembly w/ Serrated Hose End and 3/8" NPT Female Inlet.

Product Compliance:
 NSF 61 Exempt (Non-Potable)



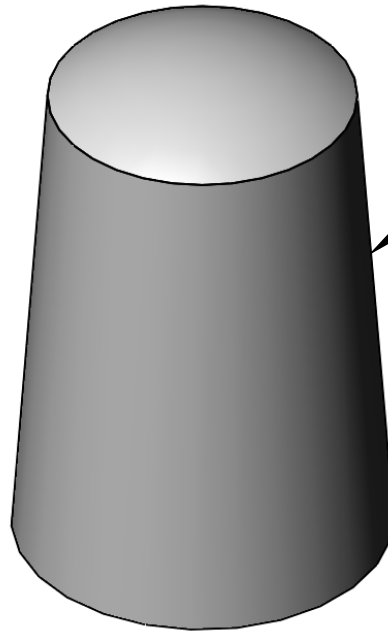
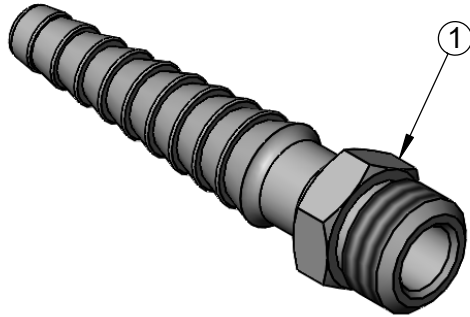
T&S BRASS AND BRONZE WORKS, INC.
2 Saddleback Cove / P.O. Box 1088
Travelers Rest, SC 29690

Model No.
BL-4750-01

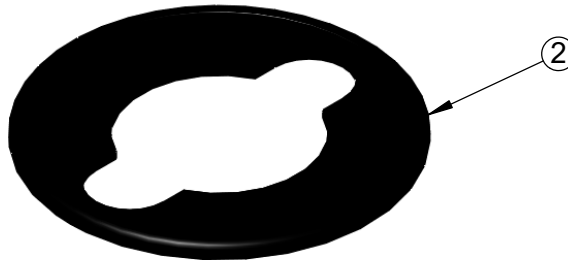
Item No.

Travelers Rest, SC: 800-476-4103 • Simi Valley, CA: 800-423-0150 • Fax: 864-834-3518 • www.tsbrass.com

ITEM NO.	SALES NO.	DESCRIPTION
1	B-0198	Hose End, Serrated Brass, Chrome Plated
2	144L	Black Plastic Gasket



Turret Sold Separately
w/ Gasket as BL-4100-01



Product Specifications:
Turret Assembly w/ Serrated Hose End and 3/8" NPT Female Inlet.

Product Compliance:
NSF 61 Exempt (Non-Potable)