



**T&S BRASS AND BRONZE WORKS, INC.**  
 2 Saddleback Cove / P.O. Box 1088  
 Travelers Rest, SC 29690

Model No.  
**BL-4730-03**

Item No.

Travelers Rest, SC: 800-476-4103 • Simi Valley, CA: 800-423-0150 • Fax: 864-834-3518 • www.tsbrass.com

This Space for Architect/Engineer Approval

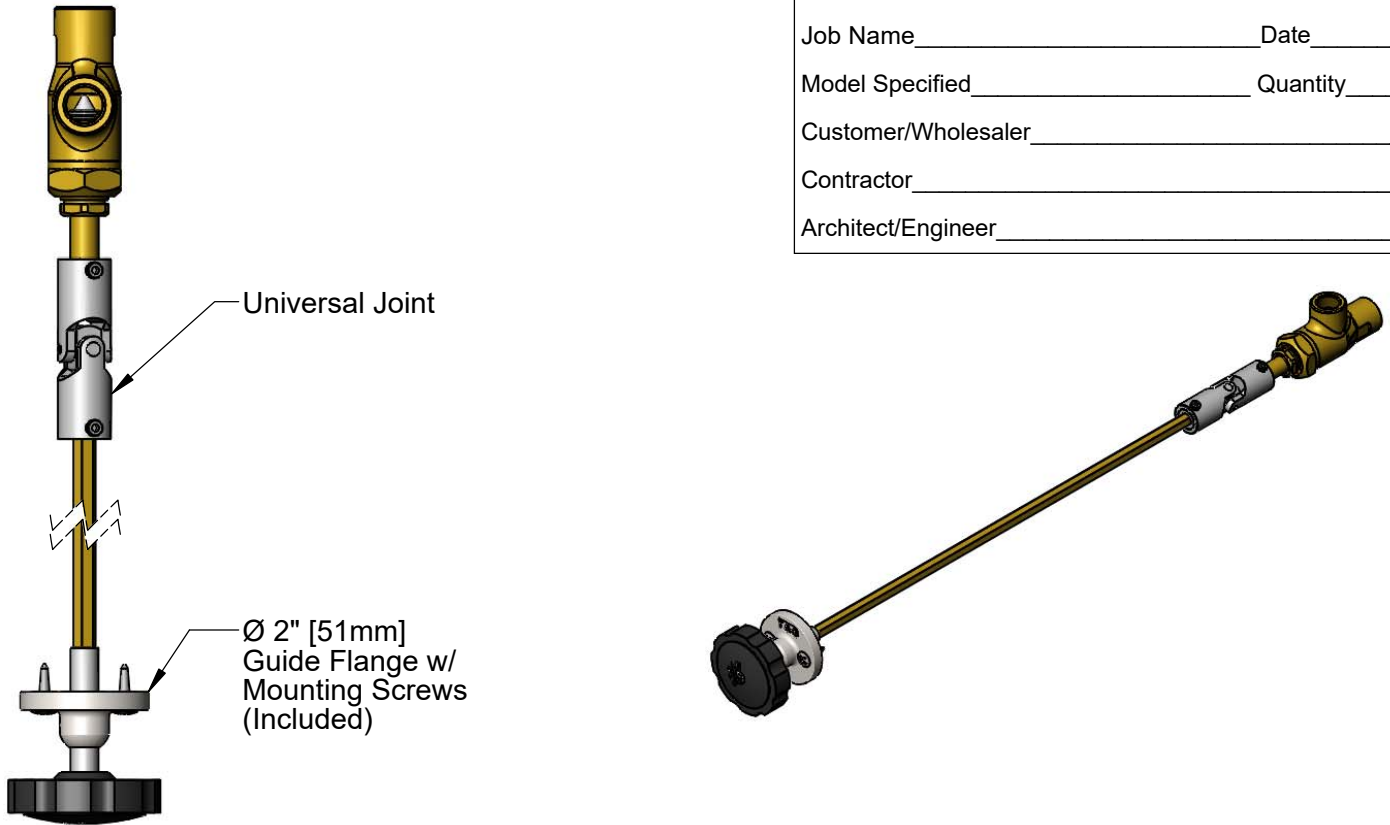
Job Name \_\_\_\_\_ Date \_\_\_\_\_

Model Specified \_\_\_\_\_ Quantity \_\_\_\_\_

Customer/Wholesaler \_\_\_\_\_

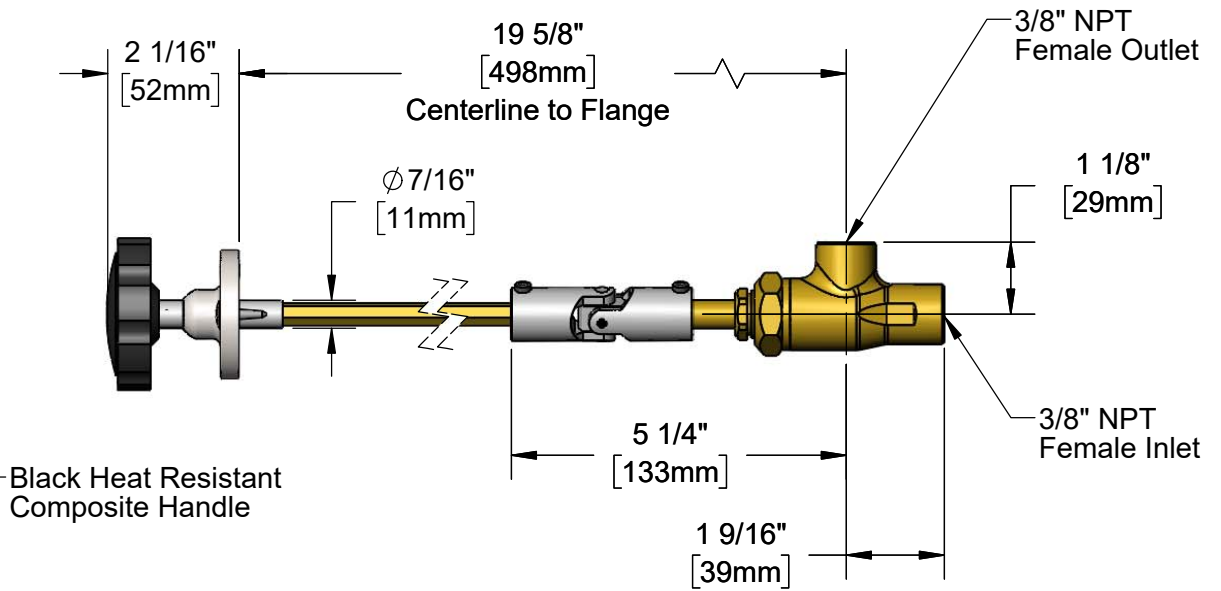
Contractor \_\_\_\_\_

Architect/Engineer \_\_\_\_\_



Universal Joint

Ø 2" [51mm]  
 Guide Flange w/  
 Mounting Screws  
 (Included)



Product Specifications:  
 Remote Control Angled Valve for Steam w/ 19 5/8" Centerline to Flange, Heat Resistant Handle, Guide Flange w/ Mounting Screws & 3/8" NPT Inlet & Outlet

Product Compliance:  
 N/A



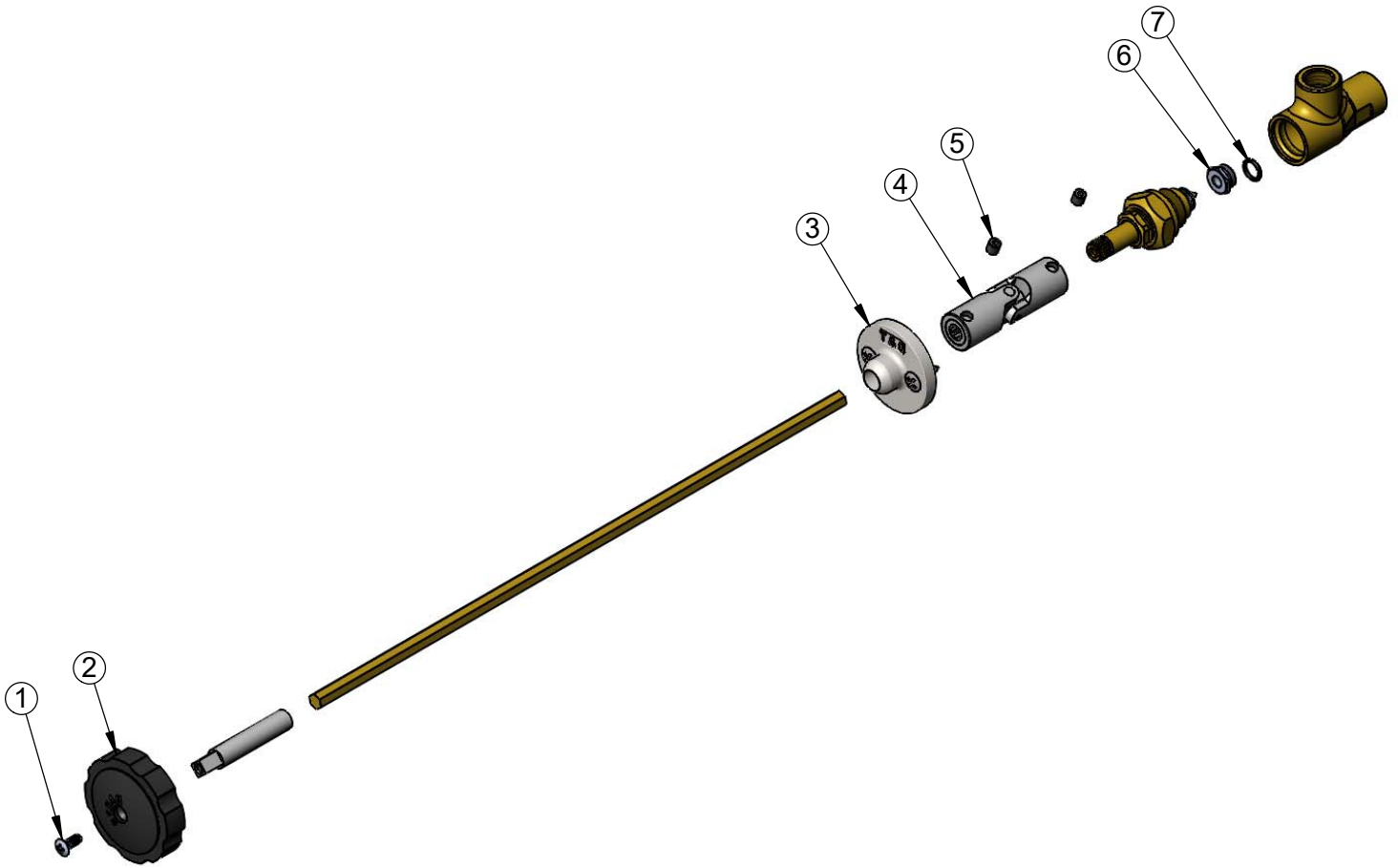
**T&S BRASS AND BRONZE WORKS, INC.**  
 2 Saddleback Cove / P.O. Box 1088  
 Travelers Rest, SC 29690

Model No.  
**BL-4730-03**

Item No.

Travelers Rest, SC: 800-476-4103 • Simi Valley, CA: 800-423-0150 • Fax: 864-834-3518 • www.tsbrass.com

ITEM NO.	SALES NO.	DESCRIPTION
1	000922-45	Lever Handle Screw
2	001149-20	Handle, Heat Resistant, Black
3	BL-4740-01	Guide Bushing w/ Mounting Screws, Wood Furniture
4	002336-20	Universal Joint, Remote Control
5	000942-45	Set Screw, 1/4-20 UN
6	000529-20	Seat
7	001070-45	O-ring



Product Specifications:  
 Remote Control Angled Valve for Steam w/ 19 5/8" Centerline to Flange, Heat Resistant Handle, Guide Flange w/ Mounting Screws & 3/8" NPT Inlet & Outlet

Product Compliance:  
 N/A