



T&S BRASS AND BRONZE WORKS, INC.
 2 Saddleback Cove / P.O. Box 1088
 Travelers Rest, SC 29690

Model No.
BL-4720-03MF

Item No.

Travelers Rest, SC: 800-476-4103 • Simi Valley, CA: 800-423-0150 • Fax: 864-834-3518 • www.tsbrass.com

This Space for Architect/Engineer Approval

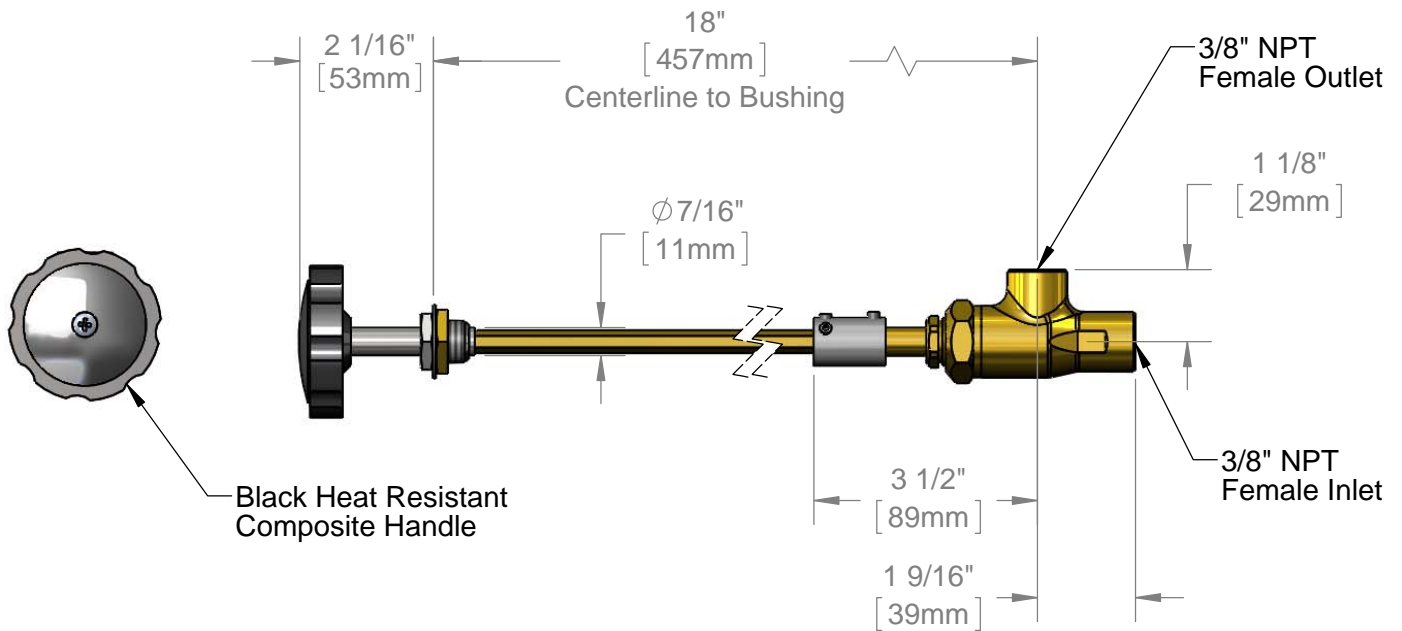
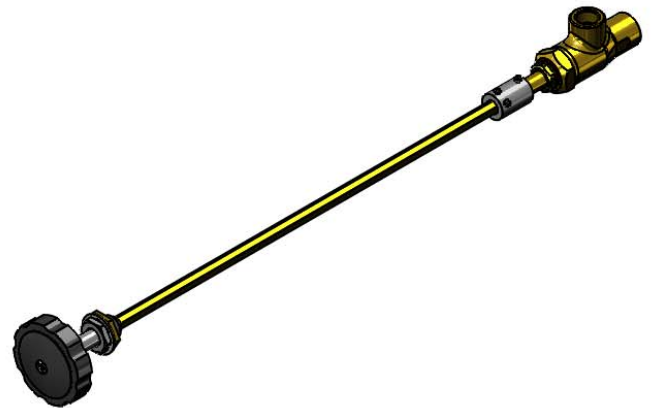
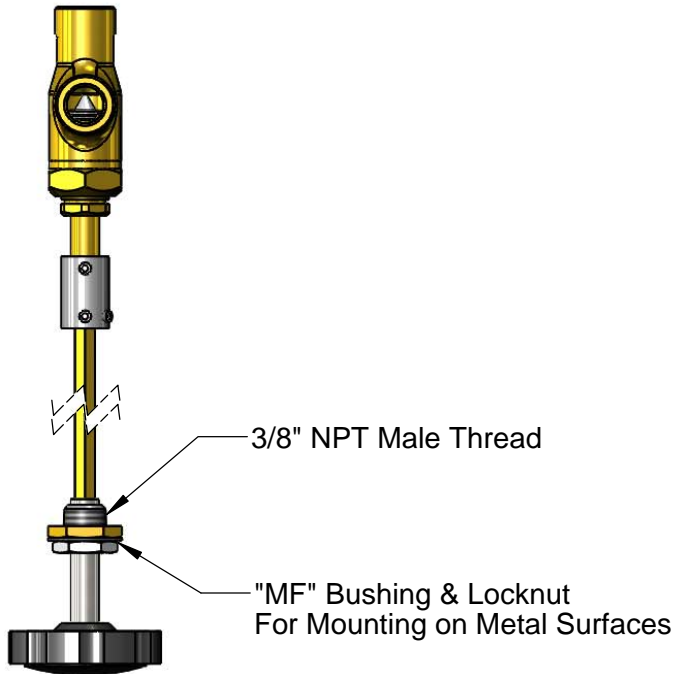
Job Name _____ Date _____

Model Specified _____ Quantity _____

Customer/Wholesaler _____

Contractor _____

Architect/Engineer _____



Product Specifications:
 Remote Control Angled Valve for Steam w/ 18" Centerline to Bushing, Heat Resistant Handle, "MF" Bushing For Mounting on Metal Surfaces & 3/8" NPT Inlet & Outlet

Drawn DHL	Checked DMH	Approved JHB
Scale: 1:3		Date: 09/06/13



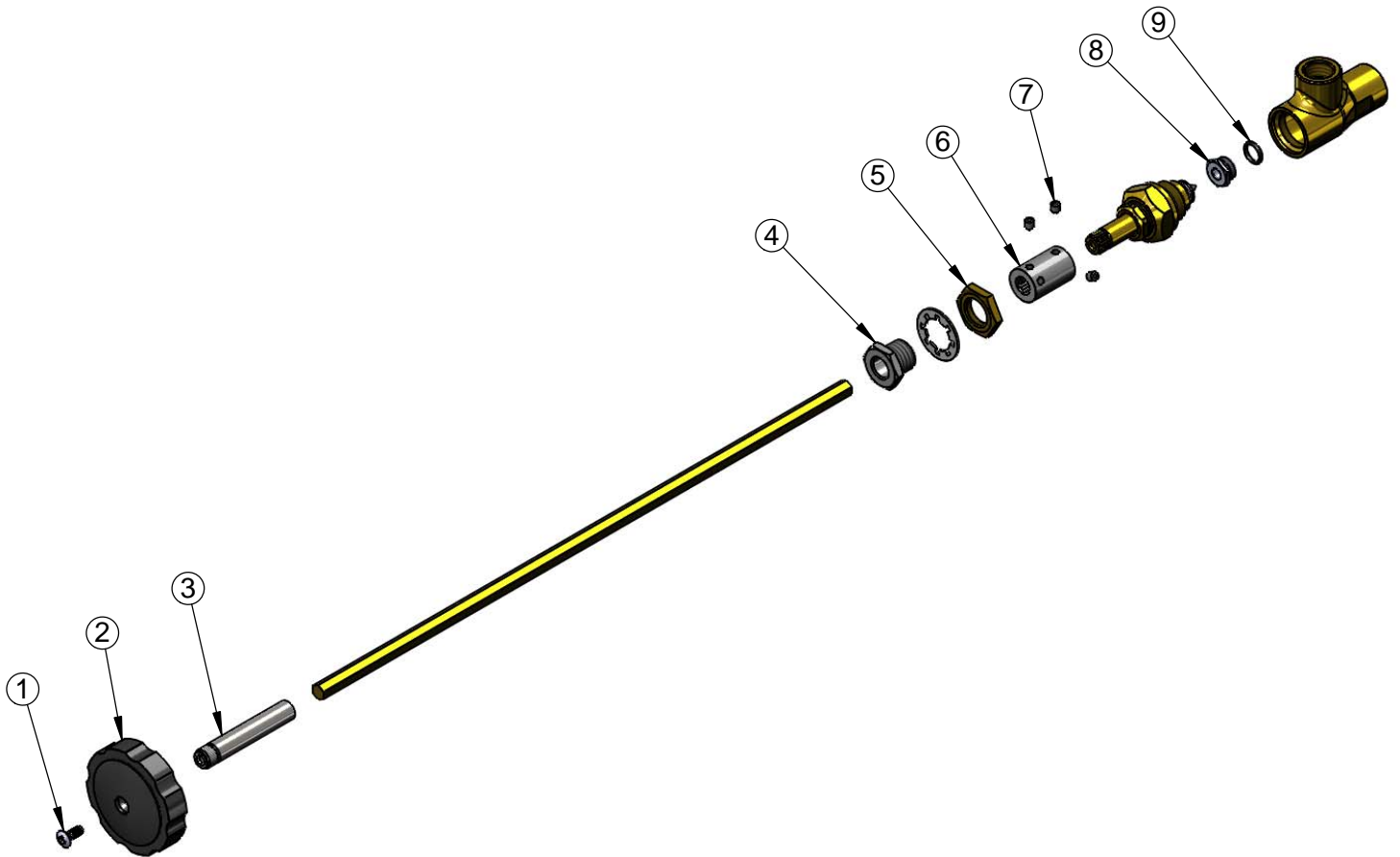
T&S BRASS AND BRONZE WORKS, INC.
 2 Saddleback Cove / P.O. Box 1088
 Travelers Rest, SC 29690

Model No.
BL-4720-03MF

Item No.

Travelers Rest, SC: 800-476-4103 • Simi Valley, CA: 800-423-0150 • Fax: 864-834-3518 • www.tsbrass.com

ITEM NO.	SALES NO.	DESCRIPTION
1	000922-45	Lever Handle Screw
2	001149-20	Handle, Heat Resistant, Black
3	000784-40	Broached Sleeve
4	006676-25	Bushing
5	000969-45	3/8" NPSL Brass Locknut
6	000642-20	Coupling Remote
7	001584-45	Set Screw, 10-32 UN
8	000529-20	Seat
9	006574-45	O-ring



Product Specifications:
 Remote Control Angled Valve for Steam w/ 18" Centerline to Bushing,
 Heat Resistant Handle, "MF" Bushing For Mounting on Metal Surfaces
 & 3/8" NPT Inlet & Outlet

Drawn DHL	Checked DMH	Approved JHB
Scale: NTS		Date: 09/06/13