



T&S BRASS AND BRONZE WORKS, INC.
 2 Saddleback Cove / P.O. Box 1088
 Travelers Rest, SC 29690

Model No.

BL-4720-01MF

Item No.

Travelers Rest, SC: 800-476-4103 • Simi Valley, CA: 800-423-0150 • Fax: 864-834-3518 • www.tsbrass.com

This Space for Architect/Engineer Approval

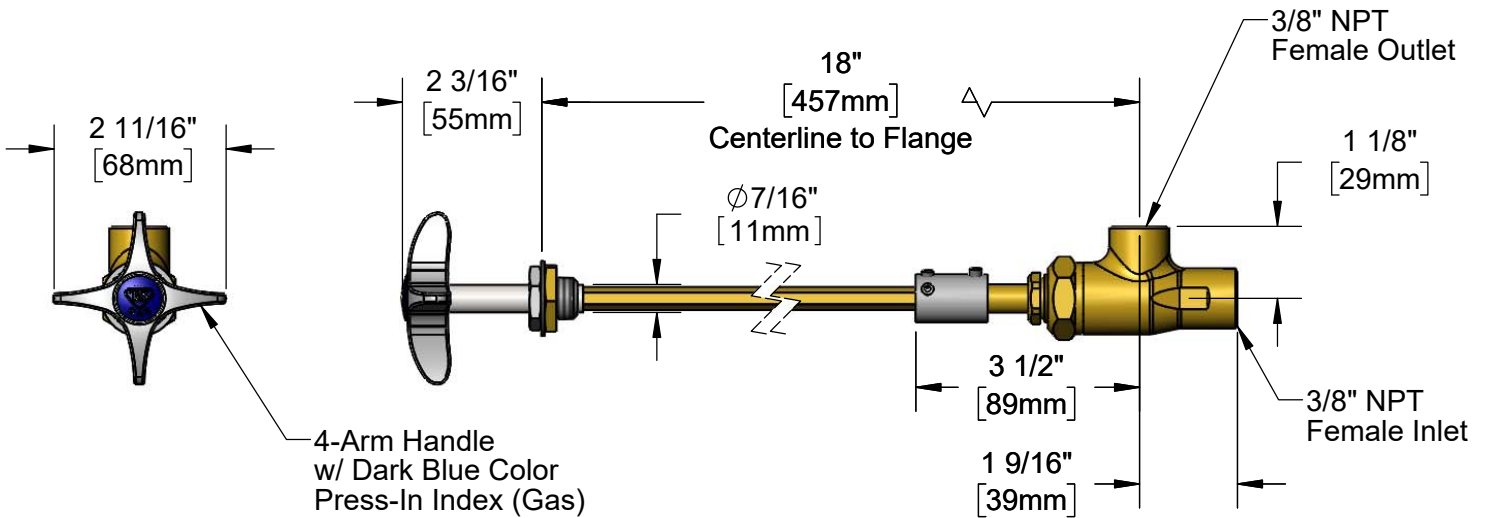
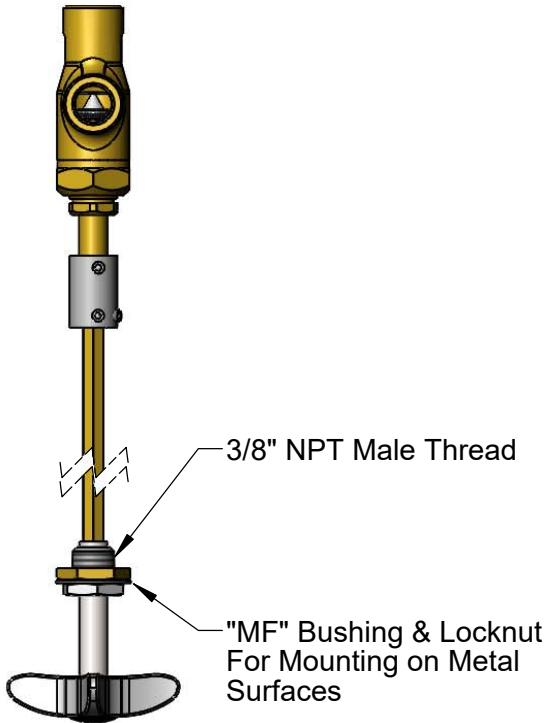
Job Name _____ Date _____



Model Specified _____ Quantity _____

Customer/Wholesaler _____

Contractor _____

Architect/Engineer _____



| | |
|--|--|
|  209L-VAC Yellow VAC Index (Included) |  209L-AIR Orange AIR Index (Included) |
|--|--|

Product Specifications:

Remote Control Angled Valve for Gases w/ 18" Centerline to Bushing, 4-Arm Handle, "GAS", "AIR" & "VAC" Snap-In Indexes, "MF" Bushing For Mounting on Metal Surfaces & 3/8" NPT Inlet & Outlet

Product Compliance:

ANSI Z21.15a / CSA 9.1a (Gas Valves)



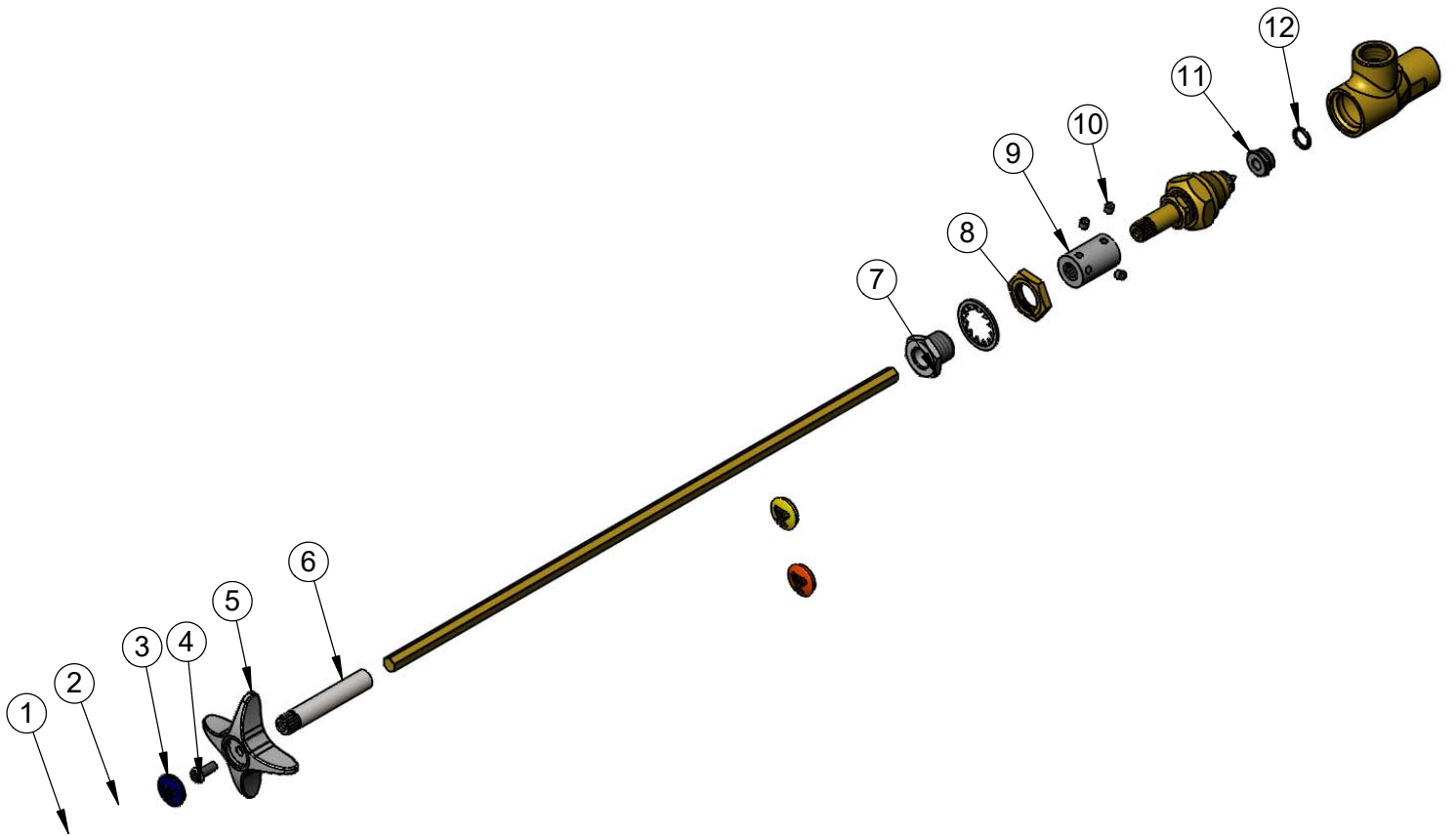
T&S BRASS AND BRONZE WORKS, INC.
 2 Saddleback Cove / P.O. Box 1088
 Travelers Rest, SC 29690

Model No.
BL-4720-01MF

Item No.

Travelers Rest, SC: 800-476-4103 • Simi Valley, CA: 800-423-0150 • Fax: 864-834-3518 • www.tsbrass.com

| ITEM NO. | SALES NO. | DESCRIPTION |
|----------|-------------|----------------------------------|
| 1 | 209L-AIR-NS | Orange "AIR" Lab Button Index |
| 2 | 209L-VAC-NS | Yellow "VAC" Lab Button Index |
| 3 | 209L-GAS-NS | Dark Blue "GAS" Lab Button Index |
| 4 | 000925-45 | Lab Handle Screw |
| 5 | 002521-45NS | 4-Arm Handle (New Style) |
| 6 | 000784-40 | |
| 7 | 006676-25 | Bushing |
| 8 | 000969-45 | 3/8" NPSL Brass Locknut |
| 9 | 000642-20 | Coupling Remote |
| 10 | 001584-45 | Set Screw, 10-32 UN |
| 11 | 000529-20 | Seat |
| 12 | 001070-45 | O-ring |



Product Specifications:

Remote Control Angled Valve for Gases w/ 18" Centerline to Bushing, 4-Arm Handle, "GAS", "AIR" & "VAC" Snap-In Indexes, "MF" Bushing For Mounting on Metal Surfaces & 3/8" NPT Inlet & Outlet

Product Compliance:

ANSI Z21.15a / CSA 9.1a (Gas Valves)