



T&S BRASS AND BRONZE WORKS, INC.
 2 Saddleback Cove / P.O. Box 1088
 Travelers Rest, SC 29690

Model No.
BL-4710-03

Item No.

Travelers Rest, SC: 800-476-4103 • Simi Valley, CA: 800-423-0150 • Fax: 864-834-3518 • www.tsbrass.com

This Space for Architect/Engineer Approval

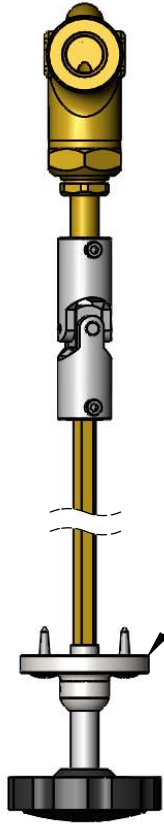
Job Name _____ Date _____

Model Specified _____ Quantity _____

Customer/Wholesaler _____

Contractor _____

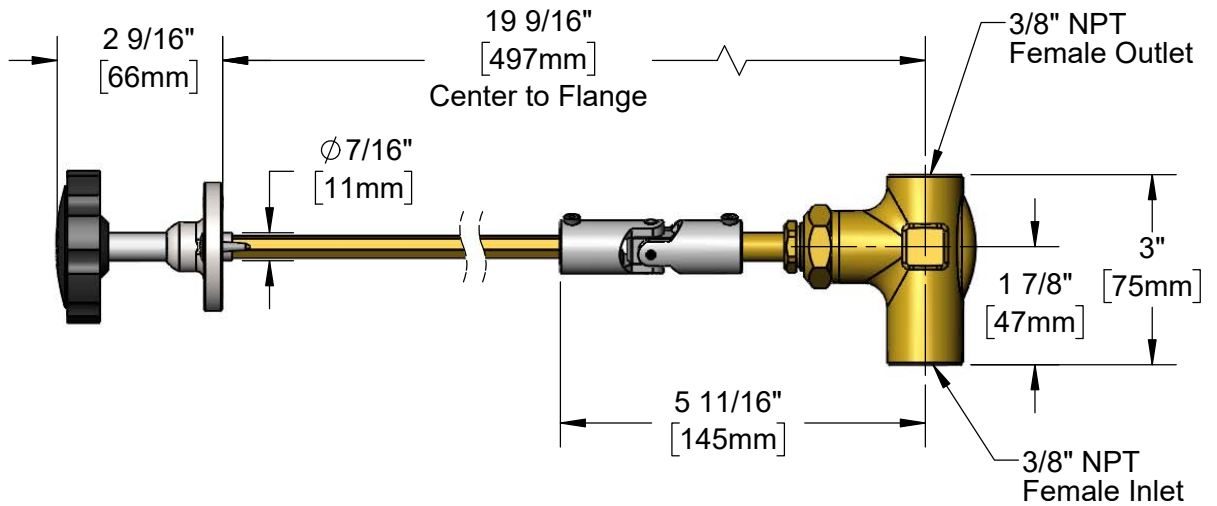
Architect/Engineer _____



Ø 2" [51mm]
 Guide Flange
 w/ Mounting Screws
 (Included)



Black Heat Resistant
 Composite Handle



Product Specifications:
 Remote Control Straight Valve for Steam w/ 19 9/16" Centerline-to-Flange,
 Heat Resistant Handle, Guide Flange w/ Mounting Screws &
 3/8" NPT Inlet & Outlet

Product Compliance:
 N/A



T&S BRASS AND BRONZE WORKS, INC.
 2 Saddleback Cove / P.O. Box 1088
 Travelers Rest, SC 29690

Model No.
BL-4710-03
 Item No.

Travelers Rest, SC: 800-476-4103 • Simi Valley, CA: 800-423-0150 • Fax: 864-834-3518 • www.tsbrass.com

| ITEM NO. | SALES NO. | DESCRIPTION |
|----------|------------|---------------------------------|
| 1 | 000922-45 | Lever Handle Screw |
| 2 | 001149-20 | Handle, Heat Resistant, Black |
| 3 | BL-4740-01 | Guide Flange w/ Mounting Screws |
| 4 | 002336-20 | Universal Joint, Remote Control |
| 5 | 000942-45 | Set Screw, 1/4-20 UN |
| 6 | 000529-20 | Seat |
| 7 | 001065-45 | O-Ring |



Product Specifications:
 Remote Control Straight Valve for Steam w/ 19 9/16" Centerline-to-Flange,
 Heat Resistant Handle, Guide Flange w/ Mounting Screws &
 3/8" NPT Inlet & Outlet

Product Compliance:
 N/A