



**T&S BRASS AND BRONZE WORKS, INC.**  
 2 Saddleback Cove / P.O. Box 1088  
 Travelers Rest, SC 29690

Model No.

**BL-4705-03**

Item No.

Travelers Rest, SC: 800-476-4103 • Simi Valley, CA: 800-423-0150 • Fax: 864-834-3518 • www.tsbrass.com

This Space for Architect/Engineer Approval

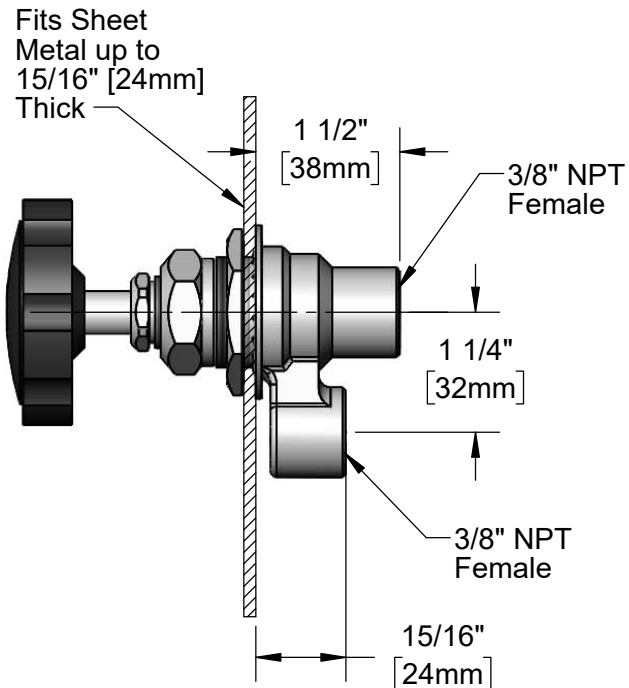
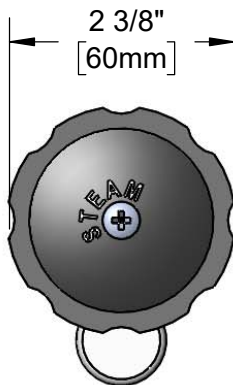
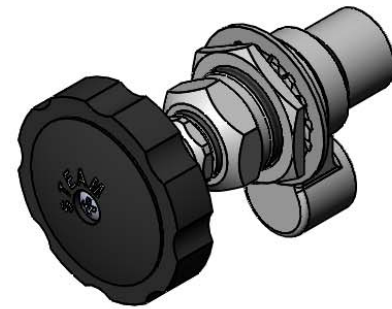
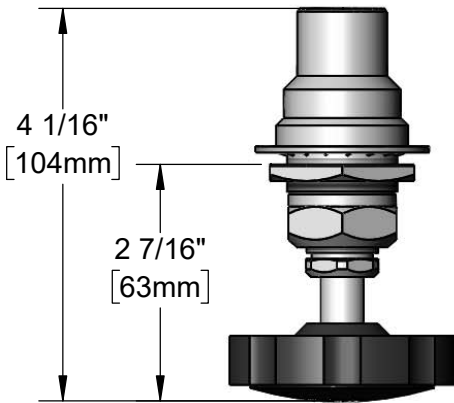
Job Name \_\_\_\_\_ Date \_\_\_\_\_

Model Specified \_\_\_\_\_ Quantity \_\_\_\_\_

Customer/Wholesaler \_\_\_\_\_

Contractor \_\_\_\_\_

Architect/Engineer \_\_\_\_\_



Notes:

1. Natural Gas Pressure: 125 PSIG Max.
2. Temperature Range: 32 °F - 125 °F

Product Specifications:

Fume Hood Steam Valve with Chrome Plated Brass Body, Heat Resistant Black Handle and 3/8" NPT Female Inlet and Outlet

Product Compliance:

ANSI Z21.15a / CSA 9.1a (Gas Valves)



**T&S BRASS AND BRONZE WORKS, INC.**  
2 Saddleback Cove / P.O. Box 1088  
Travelers Rest, SC 29690

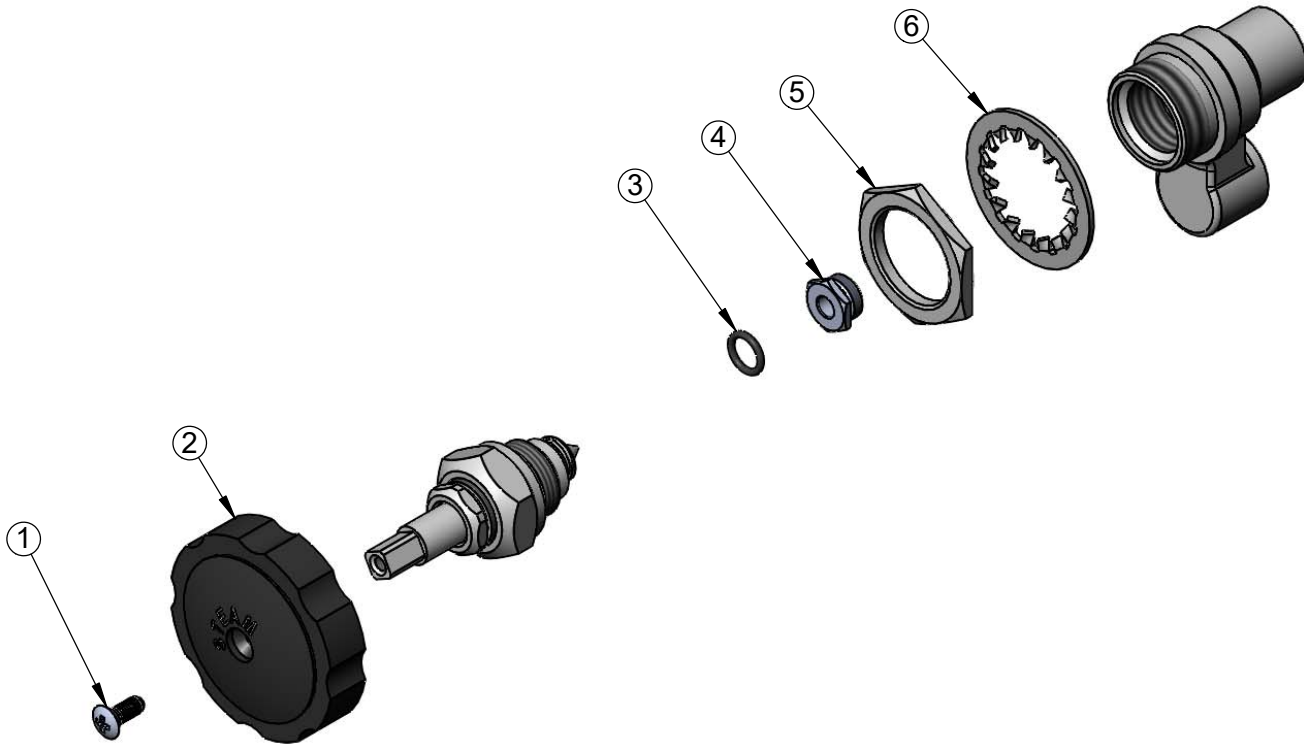
Model No.

**BL-4705-03**

Item No.

Travelers Rest, SC: 800-476-4103 • Simi Valley, CA: 800-423-0150 • Fax: 864-834-3518 • www.tsbrass.com

ITEM NO.	SALES NO.	DESCRIPTION
1	000922-45	Lever Handle Screw
2	001149-20	Handle, Heat Resistant, Black
3	001065-45	O-Ring
4	000529-20	Seat, BL-4500-01
5	000959-20	Locknut, Body Top
6	001003-45	Lock Washer, Int. Tooth, 1 5/32" ID



**Product Specifications:**

Fume Hood Steam Valve with Chrome Plated Brass Body, Heat Resistant Black Handle and 3/8" NPT Female Inlet and Outlet

**Product Compliance:**

ANSI Z21.15a / CSA 9.1a (Gas Valves)